



US0D1004550S

(12) **United States Design Patent** (10) **Patent No.:** **US D1,004,550 S**  
**Nook et al.** (45) **Date of Patent:** **\*\* \*Nov. 14, 2023**

(54) **BATTERY CLAMP**

(71) Applicant: **THE NOCO COMPANY**, Glenwillow, OH (US)

(72) Inventors: **Jonathan Lewis Nook**, Gates Mills, OH (US); **William Knight Nook**, Shaker Heights, OH (US); **James Richard Stanfield**, Glendale, AZ (US); **Derek Michael Underhill**, Tempe, AZ (US)

(73) Assignee: **THE NOCO COMPANY**, Glenwillow, OH (US)

(\* ) Notice: This patent is subject to a terminal disclaimer.

(\*\*) Term: **15 Years**

(21) Appl. No.: **29/756,086**

(22) Filed: **Oct. 26, 2020**

**Related U.S. Application Data**

(63) Continuation of application No. 29/665,464, filed on Oct. 3, 2018, now Pat. No. Des. 913,938.

(51) **LOC (14) Cl.** ..... **13-02**

(52) **U.S. Cl.**  
USPC ..... **D13/119**

(58) **Field of Classification Search**  
USPC ..... D13/118, 119, 120, 103, 148, 149, 151, D13/199; D12/223  
CPC ..... H01R 11/24; H01R 11/281; H01R 11/283  
See application file for complete search history.

(56) **References Cited**

**U.S. PATENT DOCUMENTS**

D47,781 S 9/1915 Carson  
3,020,518 A 2/1962 Camping et al.  
3,267,452 A 8/1966 Wolf

3,571,701 A 3/1971 Lai  
3,794,957 A 2/1974 Winkler  
3,895,851 A 7/1975 Bolton et al.  
3,933,140 A 1/1976 Gynn  
4,041,445 A 8/1977 Carter  
4,057,313 A 11/1977 Polizzano  
D258,818 S \* 4/1981 Johnson ..... D13/120  
D260,626 S 9/1981 Kadar  
4,620,767 A 11/1986 Woolf  
(Continued)

**FOREIGN PATENT DOCUMENTS**

DE 29507501 6/1995  
DE 202009016260 3/2010  
(Continued)

**OTHER PUBLICATIONS**

Noco.com. GB20 Boost Sport 500A UltraSafe Lithium Jump Starter, <https://no.co/gb20>. Dec. 2016 (Year: 2016).\*  
(Continued)

*Primary Examiner* — Jennifer O King  
(74) *Attorney, Agent, or Firm* — JONES DAY

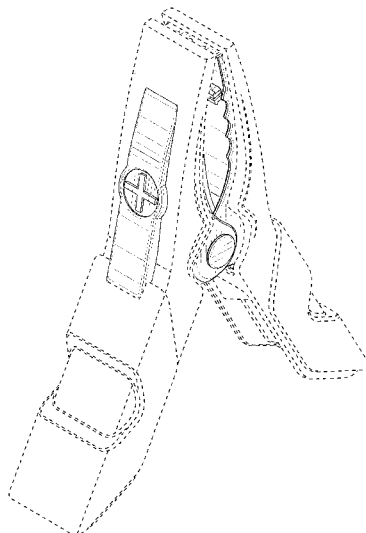
(57) **CLAIM**

The ornamental design for a battery clamp, as shown and described.

**DESCRIPTION**

FIG. 1 is a front perspective view of a new design for a battery clamp;  
FIG. 2 is a left side elevational view thereof;  
FIG. 3 is a right side elevational view thereof;  
FIG. 4 is a front elevational view thereof;  
FIG. 5 is a rear elevational view thereof;  
FIG. 6 is a top plan view thereof; and,  
FIG. 7 is a bottom plan view thereof.  
The broken lines shown represent portions of the battery clamp that form no part of the claimed design.

**1 Claim, 7 Drawing Sheets**



(56)

References Cited

U.S. PATENT DOCUMENTS

4,826,457	A	5/1989	Varatta	D542,224	S	5/2007	Victor
4,840,583	A	6/1989	Moore	D543,154	S	5/2007	Suckle et al.
4,854,901	A	8/1989	Vernachio	D551,368	S	9/2007	Shiu
D304,928	S	12/1989	Mize	D552,560	S	10/2007	Victor
4,885,524	A	12/1989	Wilburn	D553,089	S	10/2007	Victor
4,910,628	A	3/1990	Minagawa et al.	D555,594	S	11/2007	So
4,931,731	A	6/1990	Jenks	D555,820	S	11/2007	Lam
4,938,712	A	7/1990	Black	7,301,303	B1	11/2007	Hulden
D317,116	S	5/1991	Nimtz	D561,112	S	2/2008	Victor
5,019,767	A	5/1991	Shirai et al.	D562,480	S	2/2008	Spartano
D318,718	S	7/1991	Blatt	D567,184	S	4/2008	Victor
D322,390	S	12/1991	Nimtz	D571,179	S	6/2008	Ahlgren
5,083,076	A	1/1992	Scott	D573,536	S	7/2008	Hariharesan et al.
5,111,130	A	5/1992	Bates	D581,566	S	11/2008	Slawson
5,127,848	A	7/1992	Taguchi	D586,750	S	2/2009	Li
5,167,529	A	12/1992	Verge	D586,758	S	2/2009	Victor
D332,390	S	1/1993	Adams	D586,759	S	2/2009	Victor
5,189,359	A	2/1993	Kronberg	D588,995	S	3/2009	Wu et al.
D346,149	S	4/1994	Deering	D593,959	S	6/2009	Victor
D349,432	S	8/1994	Kibbe	D596,125	S	7/2009	Norin et al.
5,342,222	A	8/1994	Tanaka	D596,771	S	7/2009	Lee
D351,372	S	10/1994	Donovan, Jr.	D597,029	S	7/2009	Li
D357,990	S	5/1995	Cheng	D597,946	S	8/2009	Li
D358,366	S	5/1995	Sciortino	7,568,816	B2	8/2009	Brass
D361,745	S	8/1995	Geroux et al.	D602,615	S	10/2009	Liu
5,486,434	A	1/1996	Aoyama	7,598,699	B2	10/2009	Restaino et al.
5,601,452	A	2/1997	Ruffa	D604,251	S	11/2009	Hwang
5,635,817	A	6/1997	Shiska	D608,624	S	1/2010	Adams
5,635,818	A	6/1997	Quintero	7,749,031	B2	7/2010	Detter
5,772,468	A	6/1998	Kowalski	D623,322	S	9/2010	Wallach
5,793,185	A	8/1998	Prelec et al.	D625,265	S	10/2010	DuMelle
5,795,182	A	8/1998	Jacob	D625,580	S	10/2010	Giordano
D399,729	S	10/1998	Chen	D625,653	S	10/2010	De Felice
D408,725	S	4/1999	Adams	D627,730	S	11/2010	Huang et al.
D411,983	S	7/1999	Awbrey	D628,650	S	12/2010	Lake
5,921,809	A	7/1999	Fink	D631,586	S	1/2011	Li
5,965,998	A	10/1999	Whiting et al.	7,872,361	B2	1/2011	McFadden
6,054,779	A	4/2000	Zubko	D634,313	S	3/2011	Fitzpatrick et al.
D425,860	S	5/2000	Goto	7,959,476	B2	6/2011	Smith
6,130,519	A	10/2000	Whiting et al.	D642,301	S	7/2011	Rothman
6,131,865	A	10/2000	Adams	D643,815	S	8/2011	Mark et al.
6,140,796	A	10/2000	Martin et al.	D645,817	S	9/2011	Sasada
6,147,471	A	11/2000	Hunter	D649,116	S	11/2011	Nakatsuka
6,212,054	B1	4/2001	Chan	D649,866	S	12/2011	Roehrig et al.
D443,593	S	6/2001	Milan	8,076,900	B1	12/2011	Brown
D444,772	S	7/2001	Milan	D653,615	S	2/2012	Au
6,254,426	B1	7/2001	Jacovelli et al.	D654,246	S	2/2012	Bengyak
6,262,492	B1	7/2001	Sheng	D654,854	S	2/2012	Inskeep
6,262,559	B1	7/2001	Eggert et al.	D656,259	S	3/2012	Ku
D447,334	S	9/2001	Williams	8,172,603	B1	5/2012	Richard, Jr.
D450,303	S	11/2001	Milan	8,199,024	B2	6/2012	Baxter et al.
D454,542	S	3/2002	Nakashima et al.	D664,207	S	7/2012	Bengyak
6,362,599	B1	3/2002	Turner et al.	D664,501	S	7/2012	Inskeep
6,386,907	B1	5/2002	Ruffa	D671,250	S	11/2012	Schrimmer
D465,205	S	11/2002	Orpilla et al.	8,342,892	B2	1/2013	Fan et al.
D466,636	S	12/2002	Chun	8,376,775	B2	2/2013	Rinehardt
D473,194	S	4/2003	Lee	D678,202	S	3/2013	Corona
D475,014	S	5/2003	Kano	D678,838	S	3/2013	Henrink et al.
6,632,103	B1	10/2003	Liu	D681,550	S	5/2013	Corbin
6,648,701	B2	11/2003	Mouissie	D684,537	S	6/2013	Herink et al.
D484,395	S	12/2003	Felsenthal	D686,155	S	7/2013	Nguyen
D485,810	S	1/2004	Fiocchi	8,491,341	B2	7/2013	Bower et al.
D485,925	S	1/2004	Oas	8,493,021	B2	7/2013	Richardson et al.
6,756,764	B2	6/2004	Smith et al.	D687,583	S	8/2013	Von Waldthausen
D496,480	S	9/2004	Slattery	D687,768	S	8/2013	Minamikawa
6,803,743	B2	10/2004	George et al.	D689,020	S	9/2013	Demirjian
6,822,425	B2	11/2004	Krieger et al.	D694,176	S	11/2013	Buetow et al.
6,871,387	B2	3/2005	Cheng	D694,180	S	11/2013	Inskeep
6,896,544	B1	5/2005	Kuelbs	D699,378	S	2/2014	DiLuciano
D506,380	S	6/2005	Chu	D701,490	S	3/2014	Inskeep
D512,374	S	12/2005	Kuelbs	D708,140	S	7/2014	Nook et al.
D524,736	S	7/2006	Morita et al.	D713,342	S	9/2014	Jacobs et al.
D525,210	S	7/2006	Disbennett	8,888,535	B2	11/2014	Knight
7,148,580	B2	12/2006	Sodemann et al.	D718,999	S	12/2014	Robinson et al.
D539,456	S	3/2007	Sassoon	D725,598	S	3/2015	Nook et al.
				D726,109	S	4/2015	Nook
				D726,114	S	4/2015	Nook et al.
				D726,121	S	4/2015	Nook et al.
				D730,282	S	5/2015	Miller

D13/120

D13/120

D13/120

D13/120

D13/120

(56)

References Cited

U.S. PATENT DOCUMENTS

D734,726 S 7/2015 Nook et al.  
 D735,665 S \* 8/2015 Nook ..... D13/120  
 D737,216 S 8/2015 Nook et al.  
 D737,782 S 9/2015 Nook et al.  
 D738,307 S 9/2015 Nook  
 D738,825 S 9/2015 Nook  
 D739,354 S 9/2015 Nook et al.  
 D741,264 S 10/2015 Vanbecelaere  
 D744,316 S 12/2015 Nook et al.  
 D745,455 S 12/2015 Nook et al.  
 D746,770 S 1/2016 Nook et al.  
 D746,774 S 1/2016 Nook et al.  
 D754,377 S 4/2016 Nook et al.  
 D754,606 S 4/2016 Nook et al.  
 9,407,037 B2 8/2016 Kim  
 9,461,376 B1 10/2016 Bakhom  
 D775,752 S 1/2017 Nook et al.  
 D800,666 S 10/2017 Nook et al.  
 D801,272 S 10/2017 Nook et al.  
 9,923,289 B2 3/2018 Bertness  
 D815,863 S 4/2018 Wheeler  
 D817,280 S 5/2018 Nook et al.  
 D832,781 S 11/2018 Nook et al.  
 D836,064 S 12/2018 Liu  
 D845,229 S 4/2019 Chen  
 D845,230 S 4/2019 Nook et al.  
 D853,330 S 7/2019 Dai  
 D867,985 S 11/2019 Nook et al.  
 D889,411 S \* 7/2020 Wang ..... D13/120  
 D900,039 S 10/2020 Yoshida  
 D911,286 S 2/2021 Esses  
 D913,932 S 3/2021 Nook et al.  
 D913,933 S 3/2021 Nook et al.  
 D913,934 S 3/2021 Nook et al.  
 D913,935 S 3/2021 Nook et al.  
 D913,936 S 3/2021 Nook et al.  
 D913,937 S 3/2021 Nook et al.  
 D913,938 S 3/2021 Nook et al.  
 D931,811 S 9/2021 Bone  
 D931,813 S 9/2021 Nook et al.  
 11,114,777 B2 \* 9/2021 Nook ..... H01R 11/24  
 D933,605 S 10/2021 Nook et al.  
 D934,174 S 10/2021 Protti  
 D934,804 S 11/2021 Nook et al.  
 D934,805 S 11/2021 Nook et al.  
 D946,526 S 3/2022 Wang  
 D958,075 S \* 7/2022 Nook ..... D13/120  
 D967,025 S 10/2022 Nook et al.  
 2002/0041174 A1 4/2002 Purkey  
 2003/0179070 A1 9/2003 Izumi  
 2004/0130298 A1 7/2004 Krieger et al.  
 2004/0172795 A1 9/2004 Cheng  
 2005/0040788 A1 2/2005 Tseng  
 2005/0110467 A1 5/2005 Thomason  
 2005/0252573 A1 11/2005 Montani  
 2006/0201558 A1 9/2006 Marty et al.  
 2006/0286868 A1 12/2006 Pentell  
 2007/0285049 A1 12/2007 Krieger et al.  
 2008/0213653 A1 9/2008 Marukawa et al.  
 2010/0033293 A1 2/2010 Cheng  
 2010/0301800 A1 12/2010 Inskip  
 2011/0068734 A1 3/2011 Waldron  
 2011/0116861 A1 5/2011 Zhang et al.  
 2012/0091944 A1 4/2012 Rogers  
 2013/0042440 A1 2/2013 Davies  
 2013/0154543 A1 6/2013 Richardson et al.  
 2013/0164600 A1 6/2013 Roskamp et al.  
 2013/0314041 A1 11/2013 Proebstle  
 2014/0159509 A1 6/2014 Inskip  
 2014/0199876 A1 7/2014 Kato  
 2015/0200470 A1 7/2015 Bertness  
 2020/0335887 A1 \* 10/2020 Nook ..... H01R 11/282  
 2021/0094428 A1 4/2021 Nook et al.  
 2022/0102878 A1 3/2022 Zhang  
 2022/0181806 A1 \* 6/2022 Nook ..... H01R 11/281

FOREIGN PATENT DOCUMENTS

DE 202013102599 8/2013  
 EP 2472698 A2 7/2012  
 WO WO 2004/036714 4/2004  
 WO WO 2013/137873 9/2013

OTHER PUBLICATIONS

Noco.com. GB20 Boost Sport 500A UltraSafe Lithium Jump Starter, <https://no.co/go20>. Dec. 2016 (Year: 2016) (Year: 2016).\*

Blue Sea Systems Waterproof In-Line ATO/ATC Fuse Holder, posted at Amazon.com on Jun. 9, 2014 [online] (site visited Jun. 7, 2017). Available from Internet, URL: <https://www.amazon.com/Blue-Sea-Systems-Waterproof-Holder/dp/B004ZIUA62>.

Internet Archive Organization, The Wayback Machine: GC001 X-Connect Battery Clamps, Archive of <https://no.co/gc001> webpage: <https://web.archive.org/web/20161226092635/https://no.co/gc001> Date accessed: Jun. 2022. First Date available: Dec. 2016 (Year: 2016).

Iztoss Waterproof Car Auto Oct. 15, 2020/30A Amp In Line Blade Fuse Holder Fuses, posted at Amazon.com on Sep. 8, 2015 [online] (site visited Jun. 7, 2017). Available from Internet, URL: <https://www.amazon.com/Iztoss-Waterproof-Blade-Holder-Fuses/dp/801531YFYW>.

Noco.com: GBC003 HD Precision Boost Battery Clamps, Online: <https://no.co/gbc003> (Jan. 2021).

Noco GC001 X-Connect Battery Clamp Accessory, Date: Jul. 7, 2004, [online], [site visited Dec. 14, 2021]. Available from internet, URL: <https://www.amazon.com/GC001-X-Connect-Accessory-Genius-packaging/dp/B004LWV0DY>.

Noco GC002 X-Connect Eyelet Terminal Connector, Date: Jun. 9, 2015, [online], [site visited Mar. 8, 2022]. Available from internet, URL: <https://www.amazon.co.jp/-/en/GC002-X-Connect-Terminal-Connector-Compliant/dp/B004LWQ35Y>.

Noco GPA002 HD X-Connect Battery Clamp Accessory with Integrated M10 Eyelets, Date: Sep. 14, 2021, [online], [site visited Apr. 14, 2022]. Available from internet, URL: <https://www.amazon.com/NOCO-GPA002-X-Connect-Integrated-GENIUSPRO25/dp/B09G77FSL2>.

Noco GPA004 Pro X-Connect Battery Clamp Accessory with Integrated M10 Eyelets, Date: Sep. 14, 2021, [online], [site visited Apr. 14, 2022]. Available from internet, URL: <https://www.amazon.com/NOCO-GPA004-X-Connect-Integrated-GENIUSPRO50/dp/B09G7WYC8Z>.

Noco GC009 X-Connect SAE Adapter Accessory, Date: Aug. 16, 2011 [online], [site visited Dec. 14, 2021]. Available from internet, URL: <https://www.amazon.com/GC009-X-Connect-Accessory-Genius-Chargers/dp/8005DUMADC>.

Noco GC009 SAE Adapter, Date: Feb. 3, 2017, [online], [site visited Mar. 10, 2022]. Available from internet, URL: <https://www.amazon.co.jp/GC009-X-Connect-Accessory-Genius-Chargers/dp/B005DUMADC>.

Noco GC009 X-Connect, Date: Dec. 4, 2013, [online], [site visited Mar. 10, 2022]. Available from internet, URL: <https://www.amazon.co.uk/GC009-X-Connect-Accessory-Genius-Chargers/dp/B005DUMADC>.

NOCO Genius GC002 Eyelet Terminal Connector, posted at Amazon.com on Jul. 7, 2004 [online] (site visited Jun. 7, 2017). Available from Internet, URL: <https://www.amazon.com/NOCO-Genius-GC004-Extension-Cable/dp/B004LWQ35Y>.

NOCO Genius GC004 10' Extension Cable, posted at Amazon.com on Jul. 7, 2004 [online] (site visited Jun. 7, 2017). Available from Internet, URL: <https://www.amazon.com/NOCO-Genius-GC004-Extension-Cable/dp/B004LWV0GO>.

Motopower 0609A 3.1 Amp Waterproof Motorcycle USB Charger Kit SAE to USB Adapter, posted at Amazon.com on May 26, 2016 [online] (site visited Jun. 7, 2017). Available from Internet, URL: <https://www.amazon.com/Motopower-0609A-Waterproof-Motorcycle-Charger/product-reviews/B01DYE54LI>.

(56)

**References Cited**

## OTHER PUBLICATIONS

Nilight 50035R 2ft Ring Wire 2 Pin Lug Cable, Date: Apr. 22, 2019, [online], [site visited Jul. 15, 2022]. Available from internet, URL: <https://www.amazon.com.au/Niliaht-50035R-Disconnect-Connection-Motorcycle/dp/B07R2L827M>.

Schumacher WM-12 Cable Connector, posted at Amazon.com on Jul. 19, 2010 [online] (site visited Jun. 7, 2017). Available from Internet, URL: <https://www.amazon.com/Schumacher-WM-12-Connector-Battery-Maintainer/dp/8003WDDLTO>.

Sparking 2ft Motorcycle Battery Charger Cord, Date: Nov. 22, 2018, [online], [site visited Jul. 15, 2022]. Available from internet, URL: <https://www.amazon.com.au/SPARKING-Motorcycle-Disconnect-Extension-Accessory/dp/B07KS2GCXJ>.

Tineye.com—Hand Display Black [published Mar. 19, 2010; retrieved Jun. 12, 2019] Online: url:<https://tineye.com/search/4e8edb8d9936d7687591eaabcsef8bc5206559a4?page=1>.

Tineye.com—Hand Display Chrome [published Nov. 22, 2013; retrieved Jun. 12, 2019] Online: url:<https://tineye.com/search/04c0afff891da06df2140842ef8cc3b47e7049ae?page=1>.

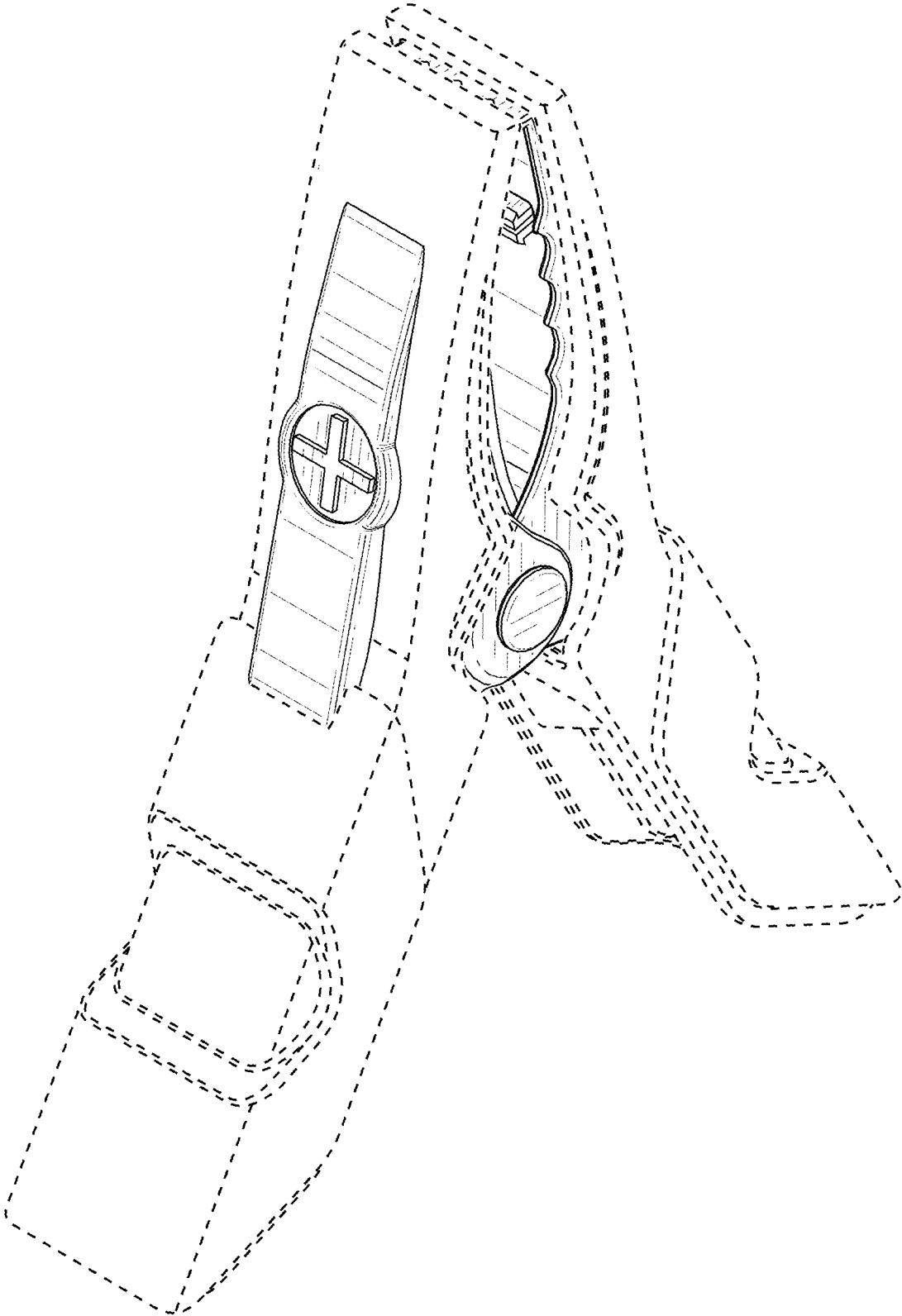
Battery Tender 081-0069-6 Ring Terminal Harness with Black Fused 2-Pin Quick Disconnect Plug, posted at Amazon.com on Jan. 19, 2011 [online] (site visited Jun. 7, 2017). Available from Internet, URL: <https://www.amazon.com/Battery-Tender-081-0069-6-TerminalDisconnect/dp/B004JVSOMO>.

U.S. Trademark Application No. 86/030,590 filed Aug. 6, 2013, including drawing and sample.

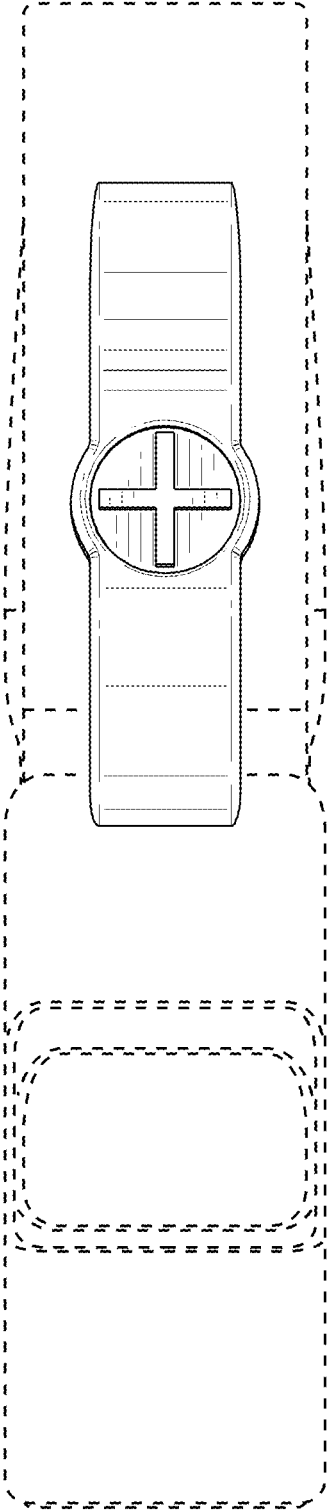
Vemote SAE Battery Connector 10AWG Sae to Ring Terminal Harness, Date: Dec. 2, 2020, [online], [site visited Jul. 15, 2022]. Available from internet, URL: <https://www.amazon.com.au/Vemote-Connector-Disconnect-Extension-Motorcycle-RVs/dp/B08PFGHK5B>.

Yetor Battery Alligator Clips, SAE Quick Release Adapter to Alligator Clips, Date: Oct. 25, 2019, [online], [site visited Jul. 15, 2022], Available from internet, URL: <https://www.amazon.com.au/YETOR-Alligator-Connectors-Extension-Motorcycles/dp/807ZCZVS1G>.

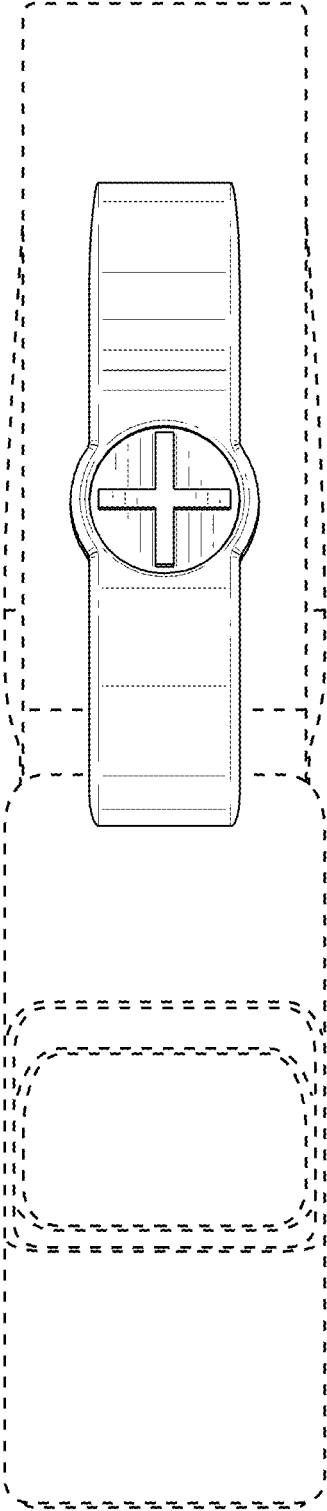
\* cited by examiner



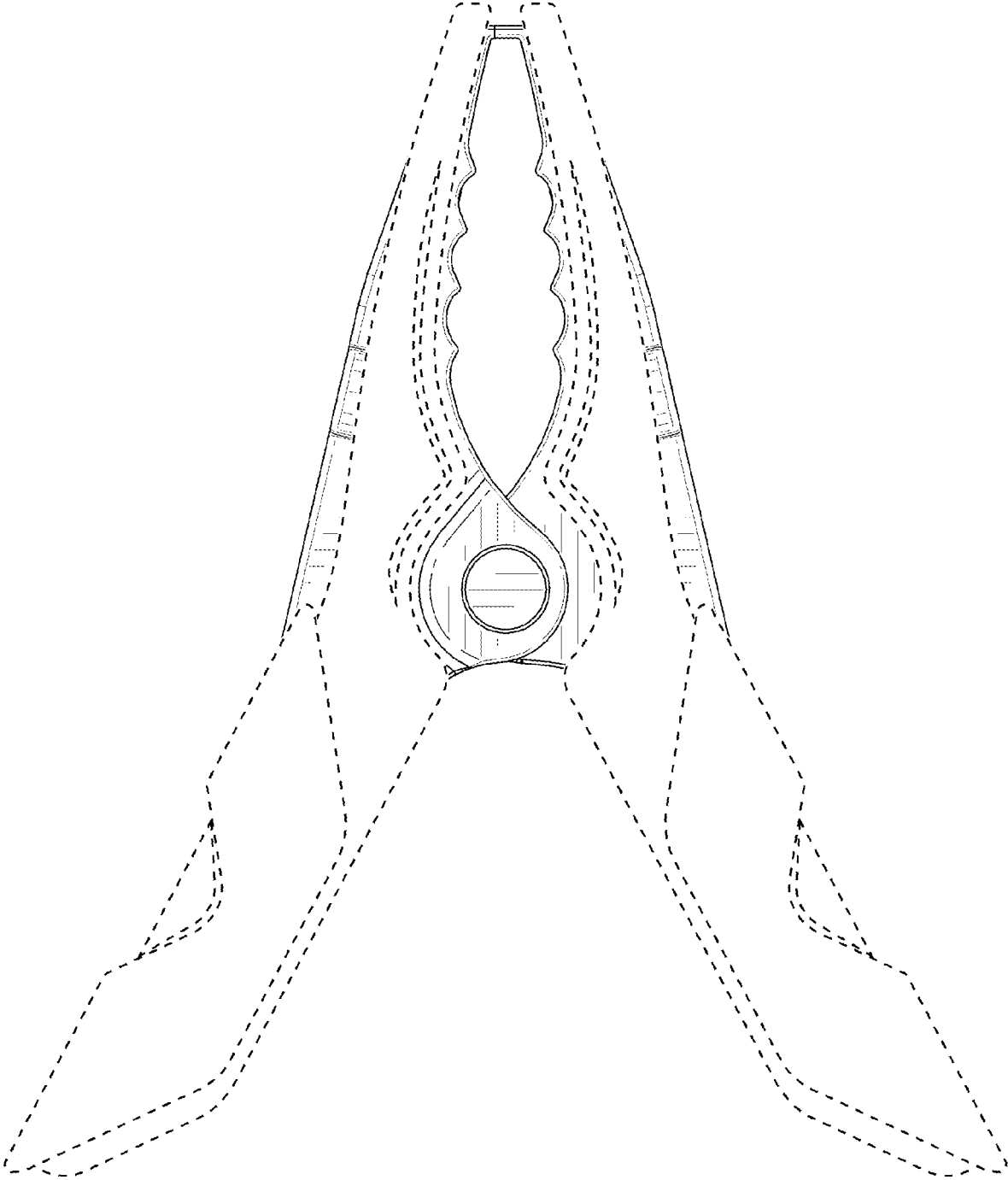
**FIG. 1**



**FIG. 2**

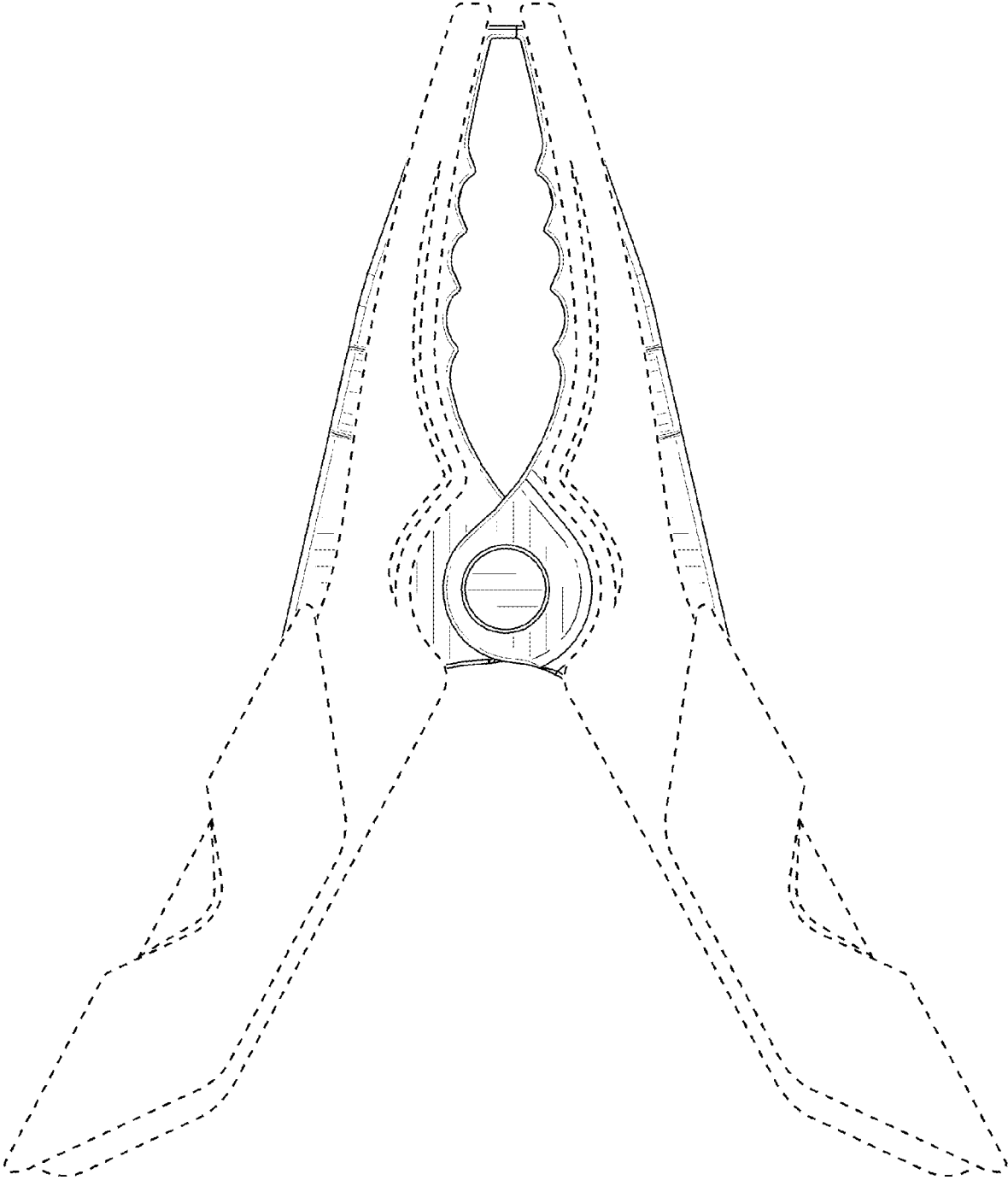


**FIG. 3**

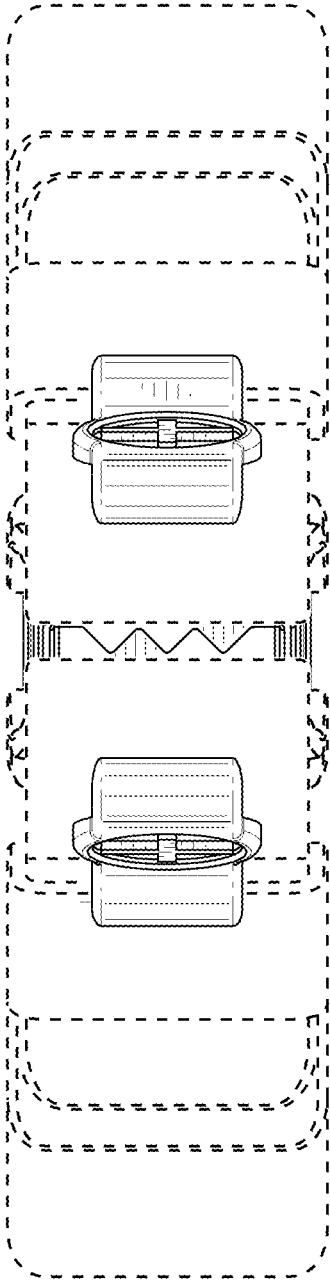


**FIG. 4**

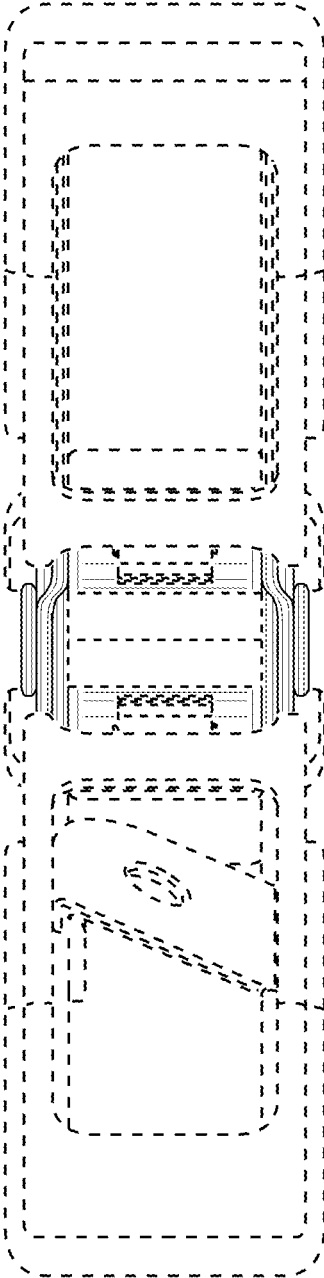




**FIG. 5**



**FIG. 6**



**FIG. 7**