



US00D917631S

(12) **United States Design Patent**
Wang

(10) **Patent No.:** **US D917,631 S**
(45) **Date of Patent:** **** Apr. 27, 2021**

- (54) **RACE TRACK TOY SET**
- (71) Applicant: **Laltitude LLC**, Hacienda Heights, CA (US)
- (72) Inventor: **Howard Wang**, Hacienda Heights, CA (US)
- (**) Term: **15 Years**
- (21) Appl. No.: **29/729,277**
- (22) Filed: **Mar. 25, 2020**

Related U.S. Application Data

- (63) Continuation-in-part of application No. 16/827,350, filed on Mar. 23, 2020.
- (51) **LOC (13) CL.** **21-01**
- (52) **U.S. Cl.**
USPC **D21/564**
- (58) **Field of Classification Search**
USPC D21/564, 565
CPC A63H 18/02; A63H 18/025; A63H 18/028;
A63H 18/04; A63H 18/10; A63H 18/12;
A63H 18/14; A63H 18/16; A63H 18/165
See application file for complete search history.

References Cited

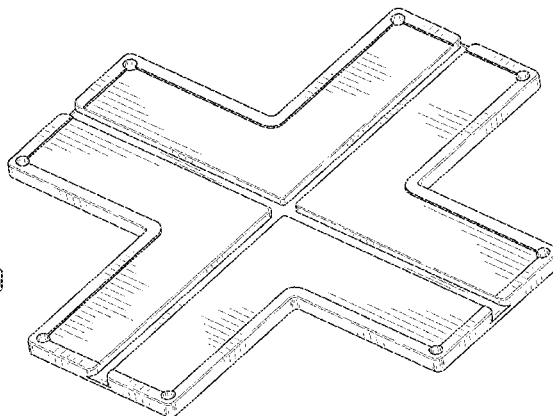
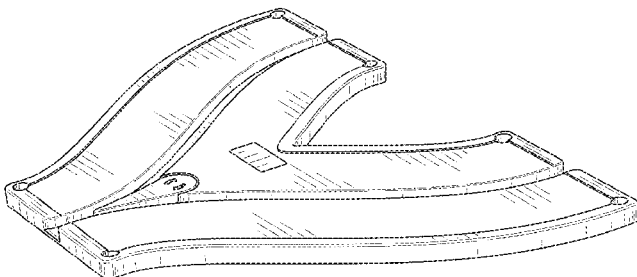
U.S. PATENT DOCUMENTS

2,690,626 A * 10/1954 Gay A63H 18/10
446/130
D224,089 S * 7/1972 Narashino D21/564
D266,529 S * 10/1982 Aoki D21/564
4,504,243 A * 3/1985 Barlow A63F 3/00634
446/444
D280,919 S * 10/1985 Petersson D21/565
D296,806 S * 7/1988 Bach D21/565
D303,693 S * 9/1989 Petersson D21/565
D305,135 S * 12/1989 Ng D21/564
D305,676 S * 1/1990 Ngai D21/565
D382,026 S * 8/1997 Petersson D21/565
D382,027 S * 8/1997 Petersson D21/565
D388,138 S * 12/1997 Lanoix D21/565
5,873,521 A * 2/1999 Ernst A63H 18/00
104/126

6,093,079 A * 7/2000 House A63H 18/02
238/10 E
D600,291 S 9/2009 Christensen
D624,605 S 9/2010 Kichjo
D624,608 S * 9/2010 Yuen D21/564
D632,348 S * 2/2011 McNutt D21/565
D651,661 S * 1/2012 Yuen D21/565
8,282,438 B2 * 10/2012 Tamulewicz A63H 33/26
446/129
D676,496 S 2/2013 Mimlitch, III
D679,767 S * 4/2013 Lowe D21/765
D682,363 S * 5/2013 Lowe D21/565
D683,411 S * 5/2013 Mimlitch, III D21/509
D689,141 S * 9/2013 Mimlitch, III A63H 18/02
D21/565
D689,142 S * 9/2013 Mimlitch, III D21/565
D689,561 S * 9/2013 Mimlitch, III A63H 18/028
D21/565
D689,959 S * 9/2013 Mimlitch, III A63H 18/10
D21/565
D699,302 S * 2/2014 Mimlitch, III D21/565
D703,767 S * 4/2014 Mimlitch, III D21/565
D713,816 S 9/2014 Fleetwood et al.
D716,879 S 11/2014 Norman
D775,694 S 1/2017 Kaplan
D809,071 S 1/2018 Liu
10,758,834 B2 * 9/2020 Klein A63H 33/42
10,843,095 B2 * 11/2020 Paperno A63H 18/02
2008/0265049 A1 * 10/2008 Stadlbauer A63H 18/08
238/1 OF
2010/0248586 A1 * 9/2010 Cochella A63H 18/02
446/444
2010/0258646 A1 * 10/2010 Tamulewicz A63H 18/02
238/10 B
2016/0074762 A1 * 3/2016 Klein A63H 18/02
446/174
2019/0192983 A1 * 6/2019 Silverglate A63H 18/028
2019/0255451 A1 * 8/2019 Paperno A63H 33/16
2020/0330886 A1 * 10/2020 Kelliher A63H 19/30
2020/0360827 A1 * 11/2020 Wang A63H 18/02
2021/0031118 A1 * 2/2021 Cao A63H 18/02

OTHER PUBLICATIONS

PicassoTiles 80 Piece Race Car Track Building Block Educational Toy Set Magnetic Tiles Magnet DIY Playset, Reviewed Feb. 19, 2019 [online], [site visited Aug. 28, 2020], Available from Internet: <URL:https://www.amazon.com/gp/customer-reviews/R3W4G66YR6N462/ref=cm_cr_arp_d_rvw_img?ie=UTF8&ASIN=B07MWGZKCB> (Year: 2019).*



Magna tile traffic set, picasso tile racing car set, uploaded Aug. 30, 2018 by Vohoho Toys [online], [site visited Aug. 28, 2020], Available from Internet: <URL: <https://www.youtube.com/watch?v=5JCMXNseCEQ>> (Year: 2018).*

"Magnetic tile racing car set" uploaded Sep. 1, 2018 by Vohoho Toys [online], [site visited Aug. 28, 2020], Available from Internet: <URL: <https://www.youtube.com/watch?v=yZRQpW1Hf80>> (Year: 2018).*

Magnetic Racing Track 55 Piece By Mag-Genius Ultimate Fantasy Racing Set, reviewed May 24, 2019 [online], [site visited Aug. 28, 2020], Available from Internet: <URL: <https://www.walmart.com/ip/Magnetic-Racing-Track-55-Piece-By-Mag-Genius-Ultimate-Fantasy-Racing-Set/598938250?selected=true>> (Year: 2019).*

Best Choice Products Magnetic Tile Car Race Track Set, reviewed Nov. 12, 2019 [online], [site visited Aug. 28, 2020], Available from Internet: <URL: <https://www.walmart.com/ip/Best-Choice-Products-105-Piece-Kids-Magnetic-Tile-Car-Race-Track-STEM-Learning-Building-Toy-Set-w-2-Light-Up-Cars/873867840?>> (Year: 2019).*

* cited by examiner

Primary Examiner — Cynthia M. Chin
(74) *Attorney, Agent, or Firm* — Clement Chang

(57) **CLAIM**

The ornamental design for a race track toy set, as shown and described.

DESCRIPTION

FIG. 1 is a front view of race track toy set 2 way split piece.
FIG. 2 is a back view of race track toy set 2 way split piece.
FIG. 3 is a top view of a race track toy set 2 way split piece.
FIG. 4 is a bottom view of a race track toy set 2 way split piece.

FIG. 5 is a perspective view of a race track toy set 2 way split piece.

FIG. 6 is a left side view of a race track toy set 2 way split piece.

FIG. 7 is a right side view of a race track toy set 2 way split piece.

FIG. 8 is a bottom left perspective view of a race track toy set 2 way split piece.

FIG. 9 is a bottom right perspective view of a race track toy set 2 way split piece.

FIG. 10 is a top left perspective view of a race track toy set 2 way split piece.

FIG. 11 is a top right perspective view of a race track toy set 2 way split piece.

FIG. 12 is a front view of a race track toy set 4 way cross section piece.

FIG. 13 is a back view of a race track toy set 4 way cross section piece.

FIG. 14 is a top view of a race track toy set 4 way cross section piece.

FIG. 15 is a bottom view of a race track toy set 4 way cross section piece.

FIG. 16 is a perspective view of a race track toy set 4 way cross section piece.

FIG. 17 is a left side view of a race track toy set 4 way cross section piece.

FIG. 18 is a right side view of a race track toy set 4 way cross section piece.

FIG. 19 is a bottom left perspective view of a race track toy set 4 way cross section piece.

FIG. 20 is a bottom right perspective view of race track toy set 4 way cross section piece.

FIG. 21 is a top left perspective view of a race track toy set 4 way cross section piece.

FIG. 22 is a top right perspective view of a race track toy set 4 way cross section piece.

FIG. 23 is a front view of a marble run toy set column piece.

FIG. 24 is a back view of a race track toy set column piece.

FIG. 25 is a top view of a race track toy set column piece.

FIG. 26 is a bottom view of a race track toy set column piece.

FIG. 27 is a perspective view of a race track toy set column piece.

FIG. 28 is a left side view of a race track toy set column piece.

FIG. 29 is a right side view of a race track toy set column piece.

FIG. 30 is a bottom left perspective view of a race track toy set column piece.

FIG. 31 is a bottom right perspective view of a race track toy set column piece.

FIG. 32 is a top left perspective view of a race track toy set column piece.

FIG. 33 is a top right perspective view of a race track toy set column piece.

FIG. 34 is a front view of a race track toy set road 1×1 piece.

FIG. 35 is a back view of a race track toy set road 1×1 piece.

FIG. 36 is a top view of a race track toy set road 1×1 piece.

FIG. 37 is a bottom view of a race track toy set road 1×1 piece.

FIG. 38 is a perspective view of a race track toy set road 1×1 piece.

FIG. 39 is a left side view of a race track toy set road 1×1 piece.

FIG. 40 is a right side view of a race track toy set road 1×1 piece.

FIG. 41 is a bottom left perspective view of a race track toy set road 1×1 piece.

FIG. 42 is a bottom right perspective view of a race track toy set road 1×1 piece.

FIG. 43 is a top left perspective view of a race track toy set road 1×1 piece.

FIG. 44 is a top right perspective view of a race track toy set road 1×1 piece.

FIG. 45 is a front view of a race track toy set road 2×1 piece.

FIG. 46 is a back view of a race track toy set road 2×1 piece.

FIG. 47 is a top view of a race track toy set road 2×1 piece.

FIG. 48 is a bottom view of a race track toy set road 2×1 piece.

FIG. 49 is a perspective view of a race track toy set road 2×1 piece.

FIG. 50 is a left side view of a race track toy set road 1×1 piece.

FIG. 51 is a right side view of a race track toy set road 2×1 piece.

FIG. 52 is a bottom left perspective view of a race track toy set road 2×1 piece.

FIG. 53 is a bottom right perspective view of a race track toy set road 2×1 piece.

FIG. 54 is a top left perspective view of a race track toy set road 2×1 piece; and,

FIG. 55 is a top right perspective view of a race track toy set road 2×1 piece.

The pieces of the race track toy set are shown separately for ease and clarity of illustration.

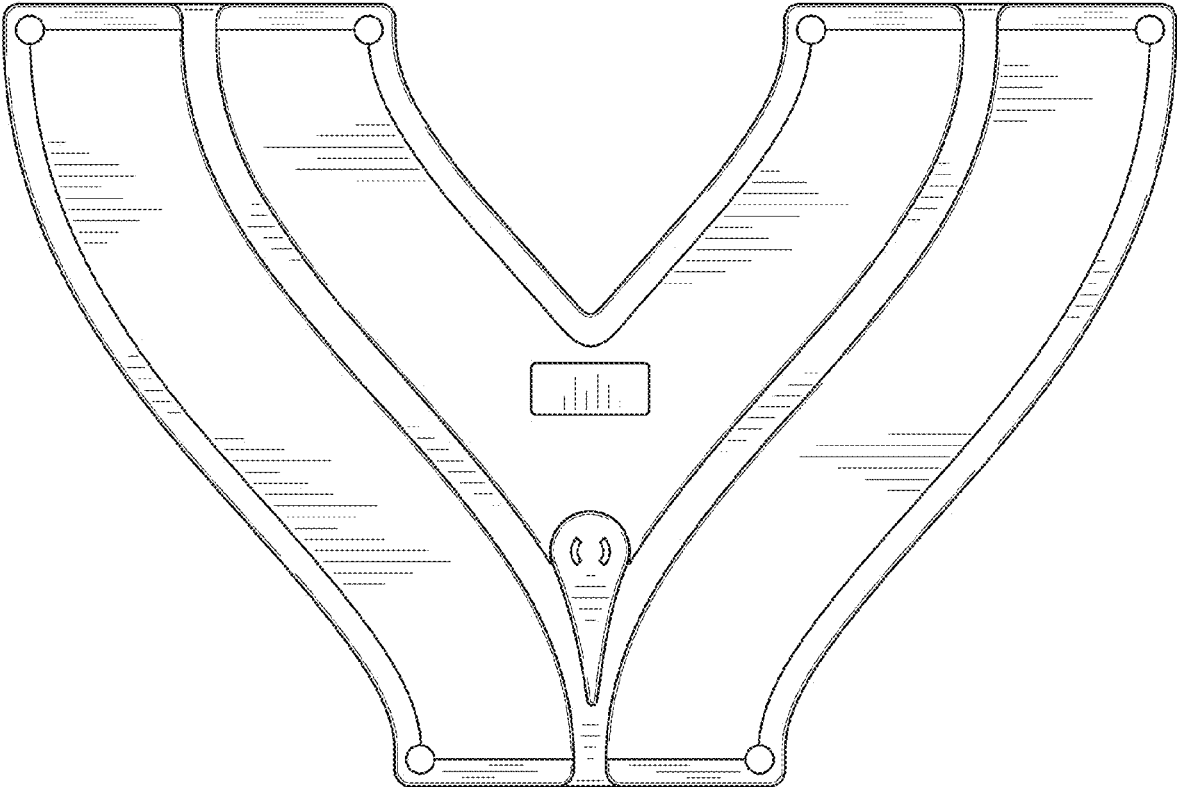


Fig. 1

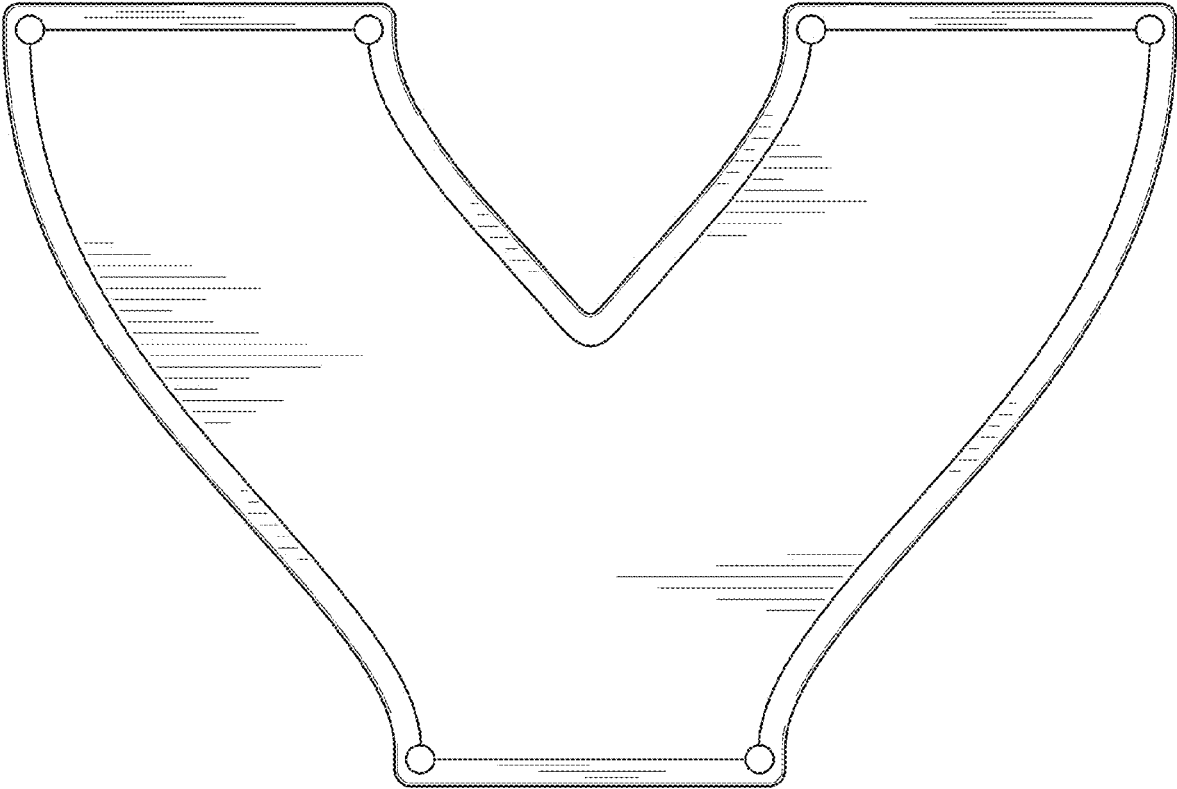


Fig. 2



Fig. 3



Fig. 4

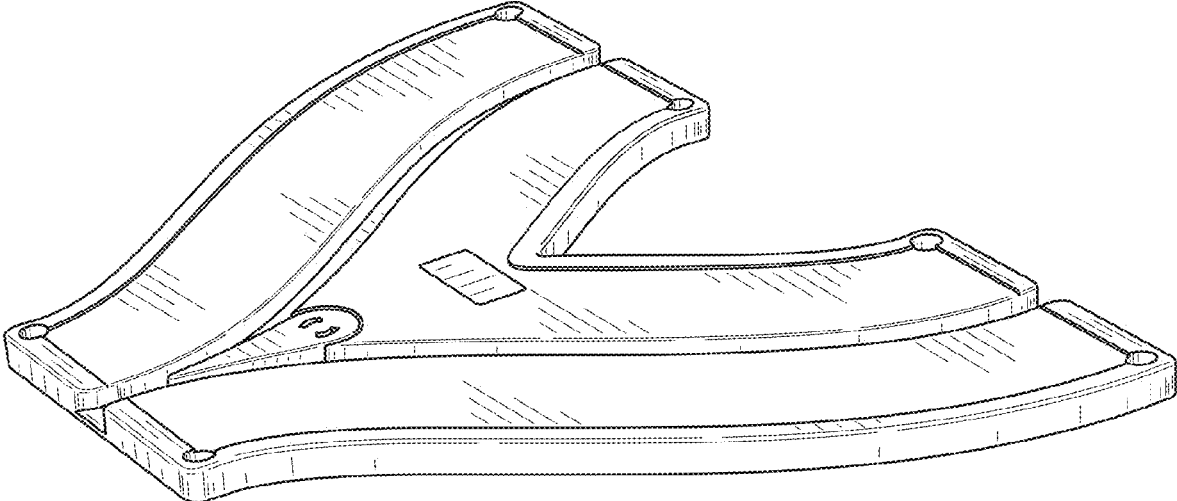


Fig. 5



Fig. 6



Fig. 7

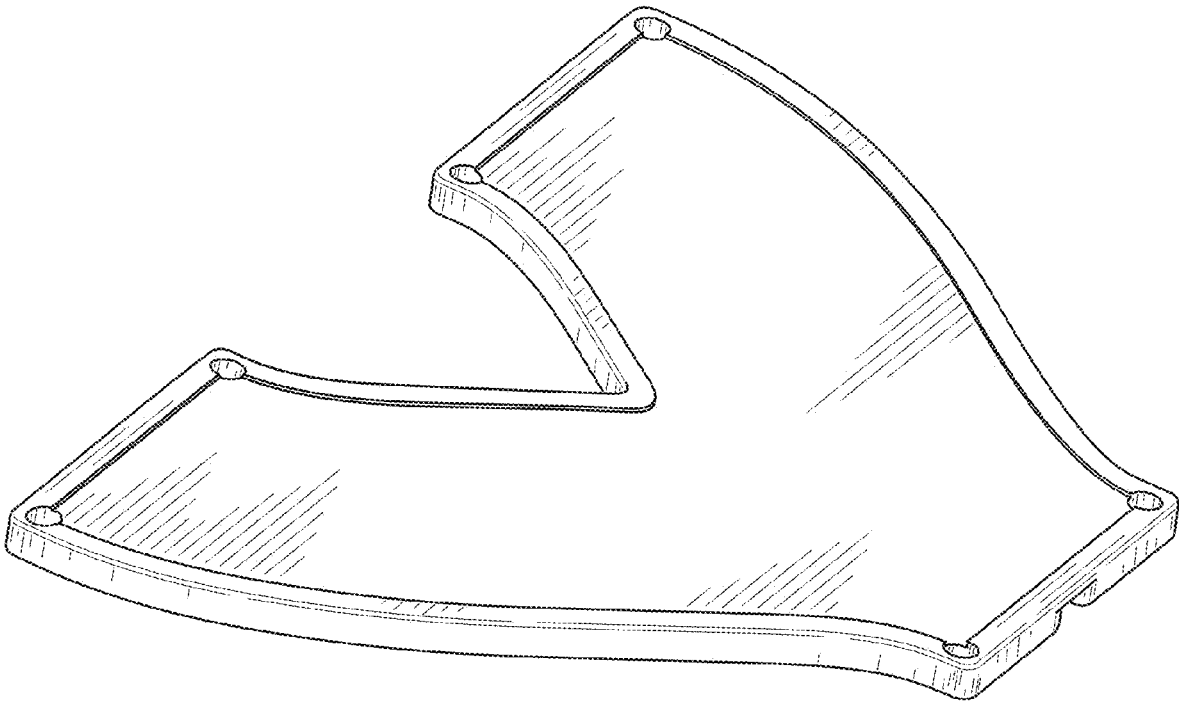


Fig. 8

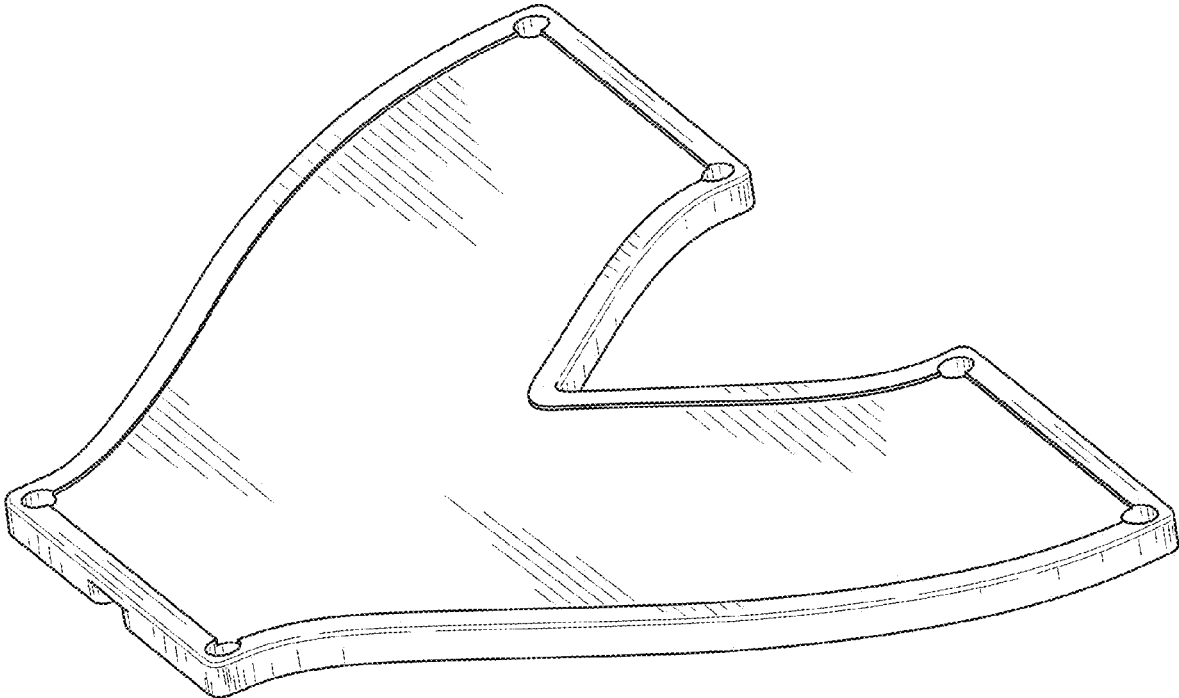


Fig. 9

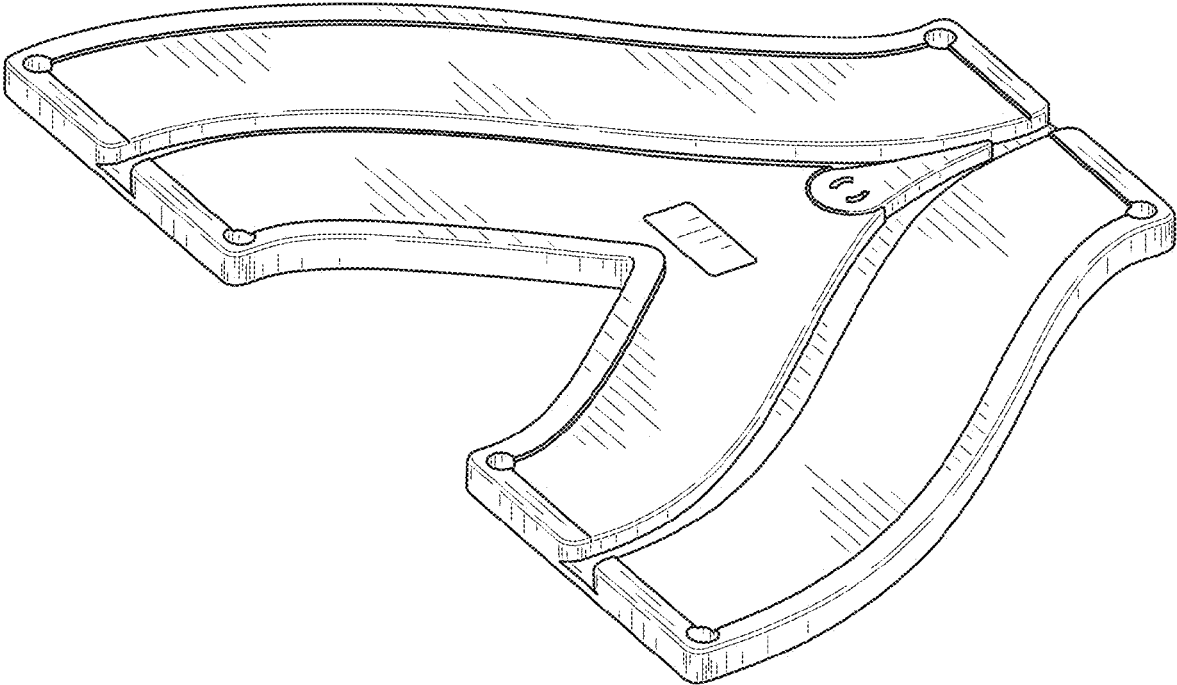


Fig. 10

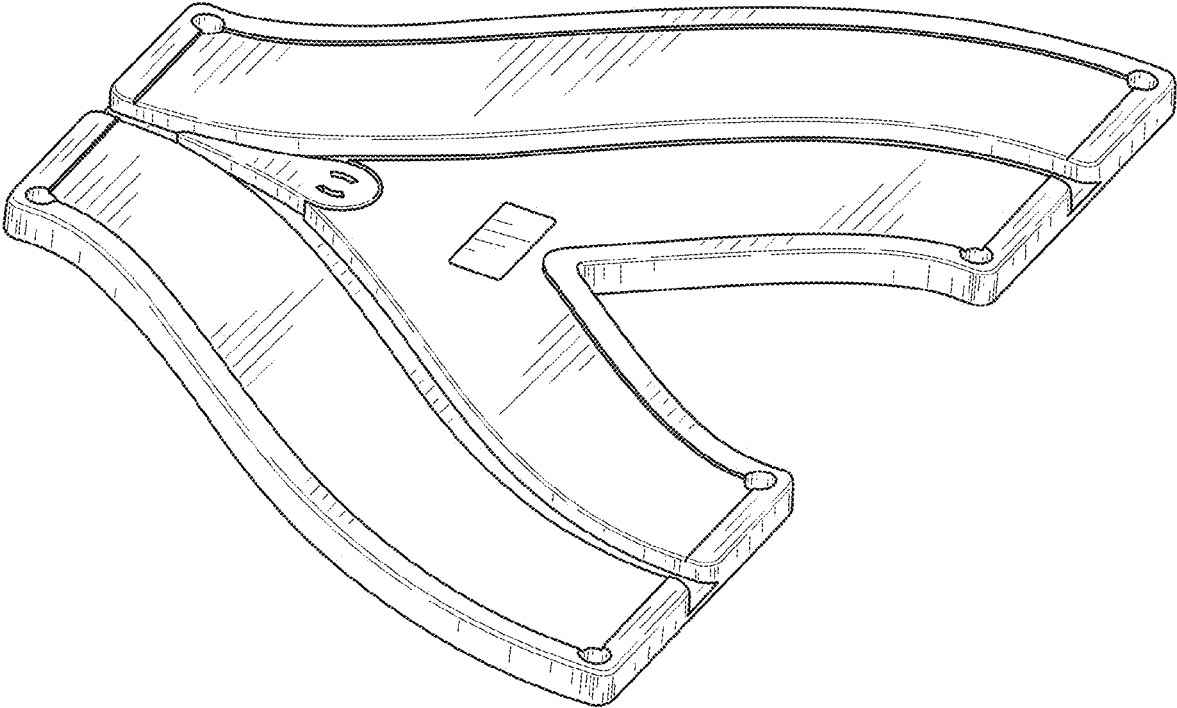


Fig. 11

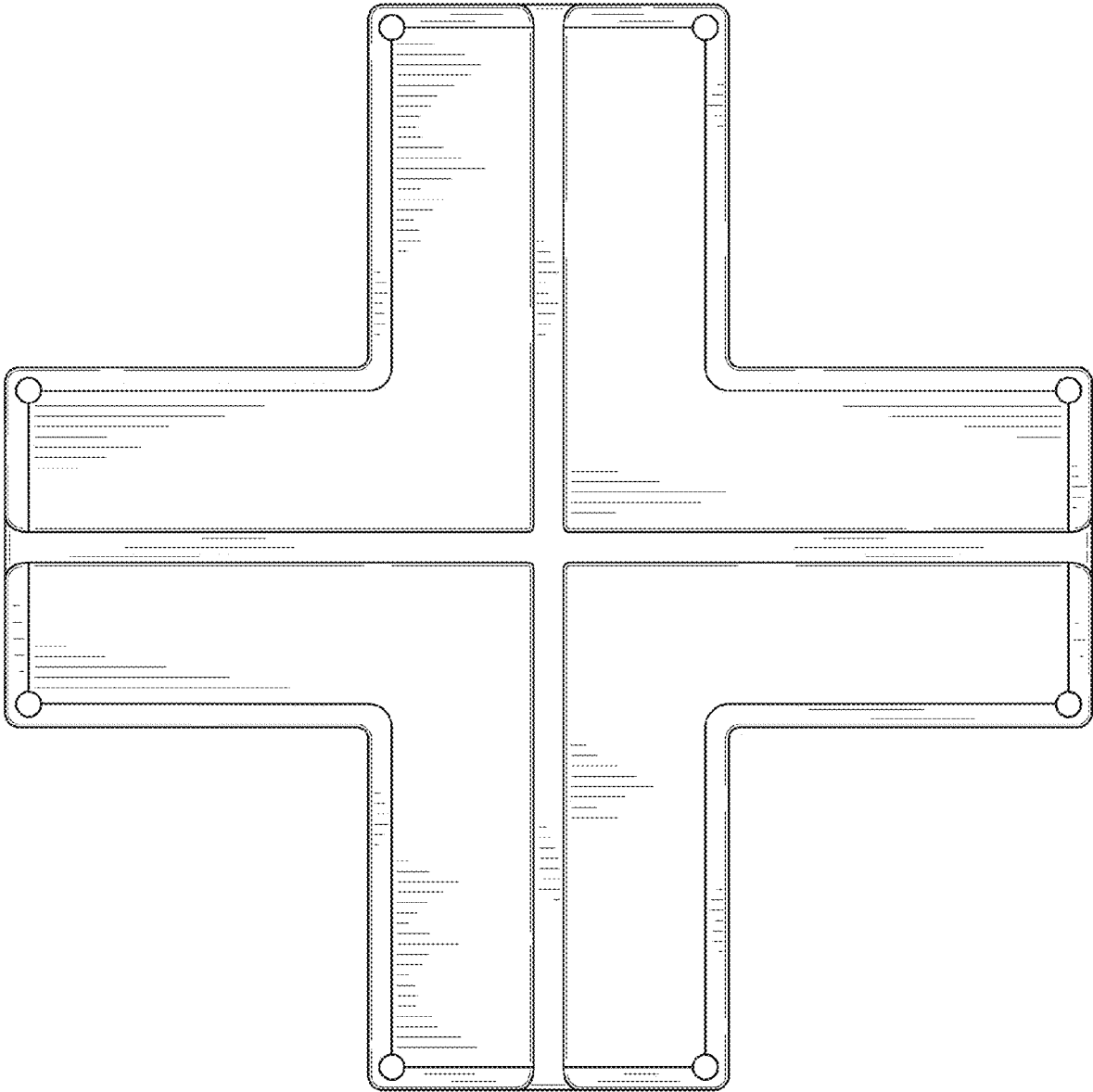


Fig. 12

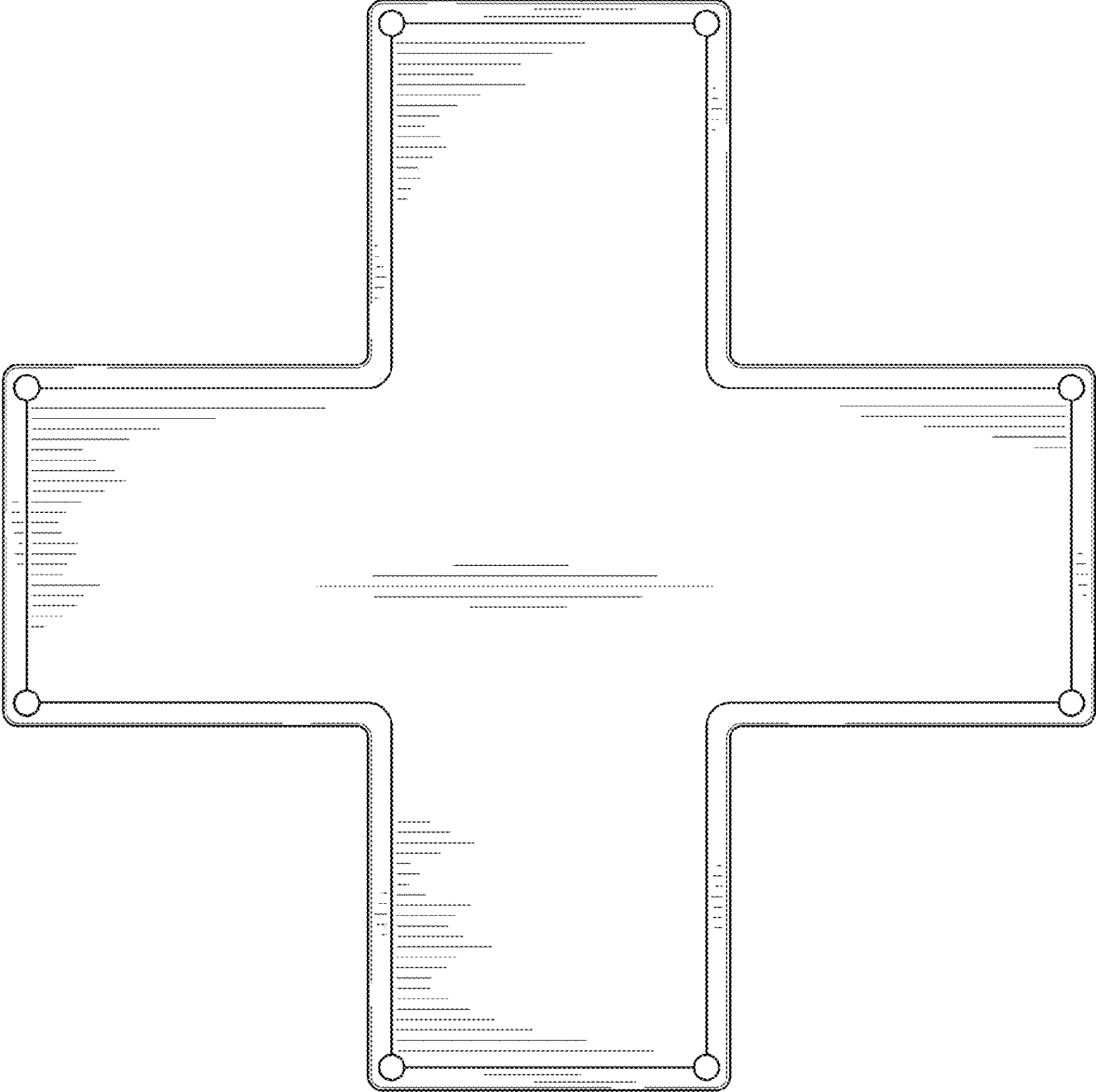


Fig. 13



Fig. 14



Fig. 15

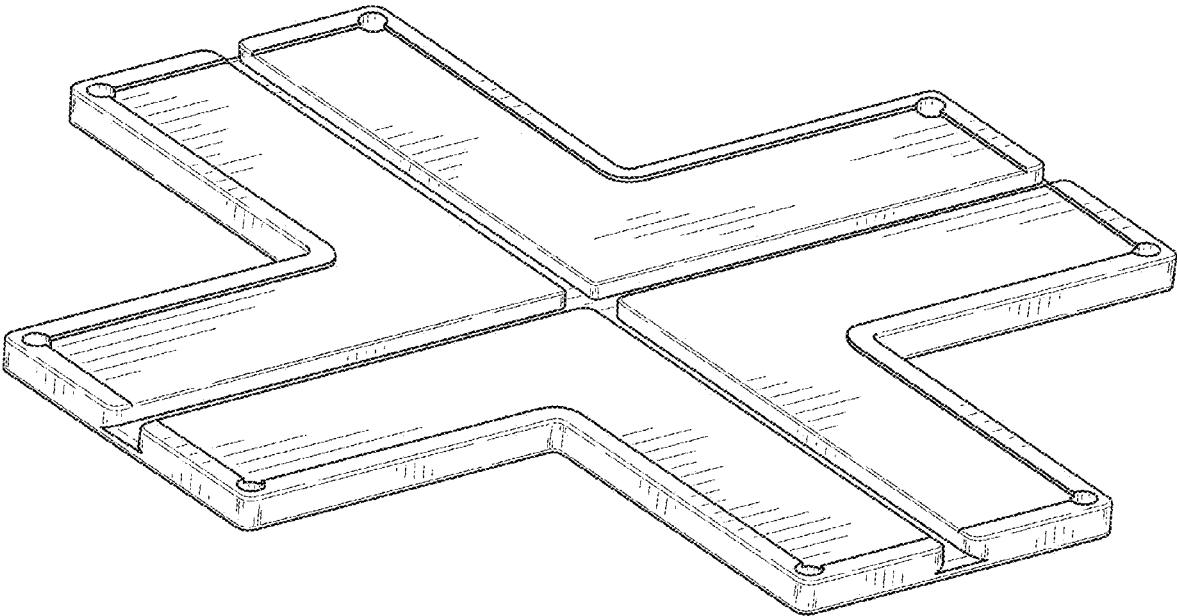


Fig. 16



Fig. 17



Fig. 18

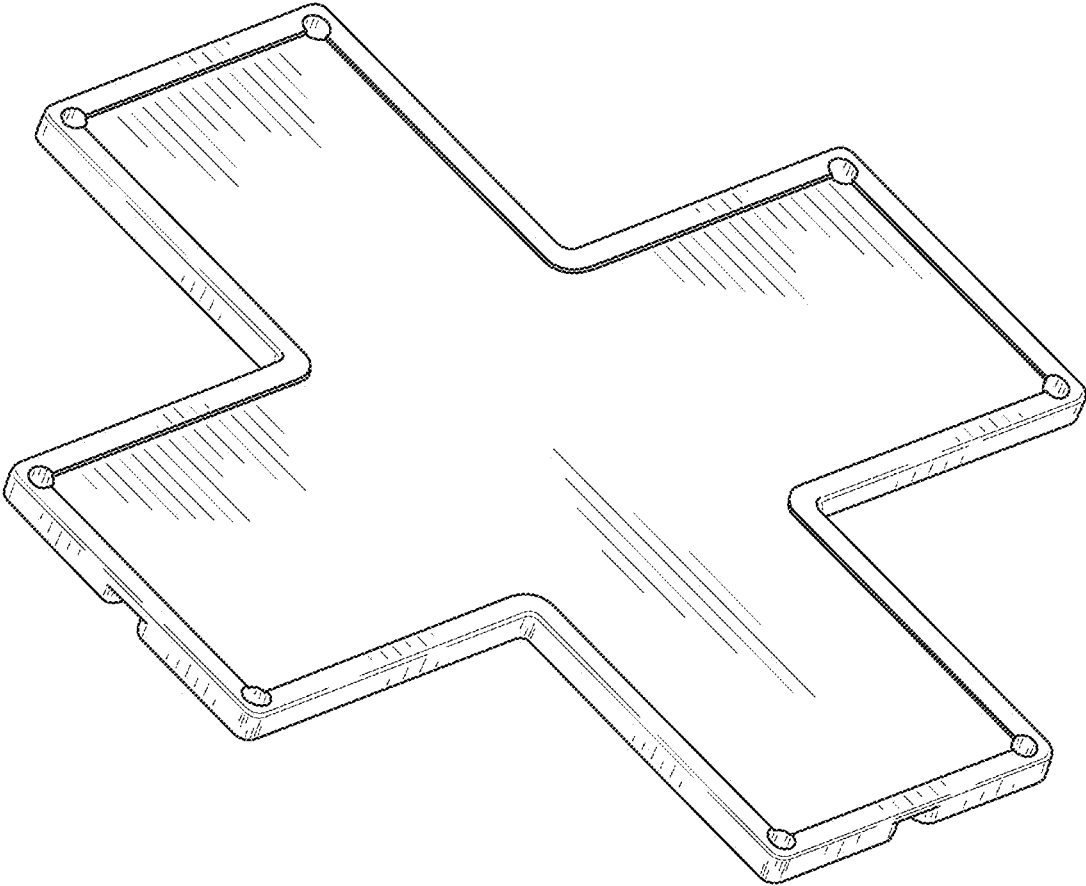


Fig. 19

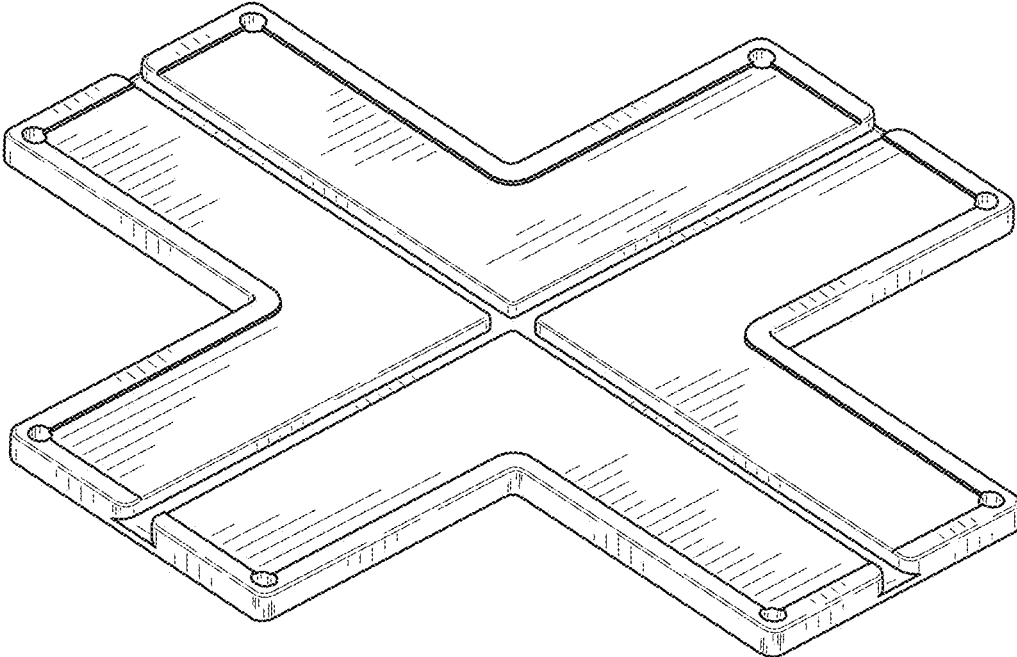


Fig. 21

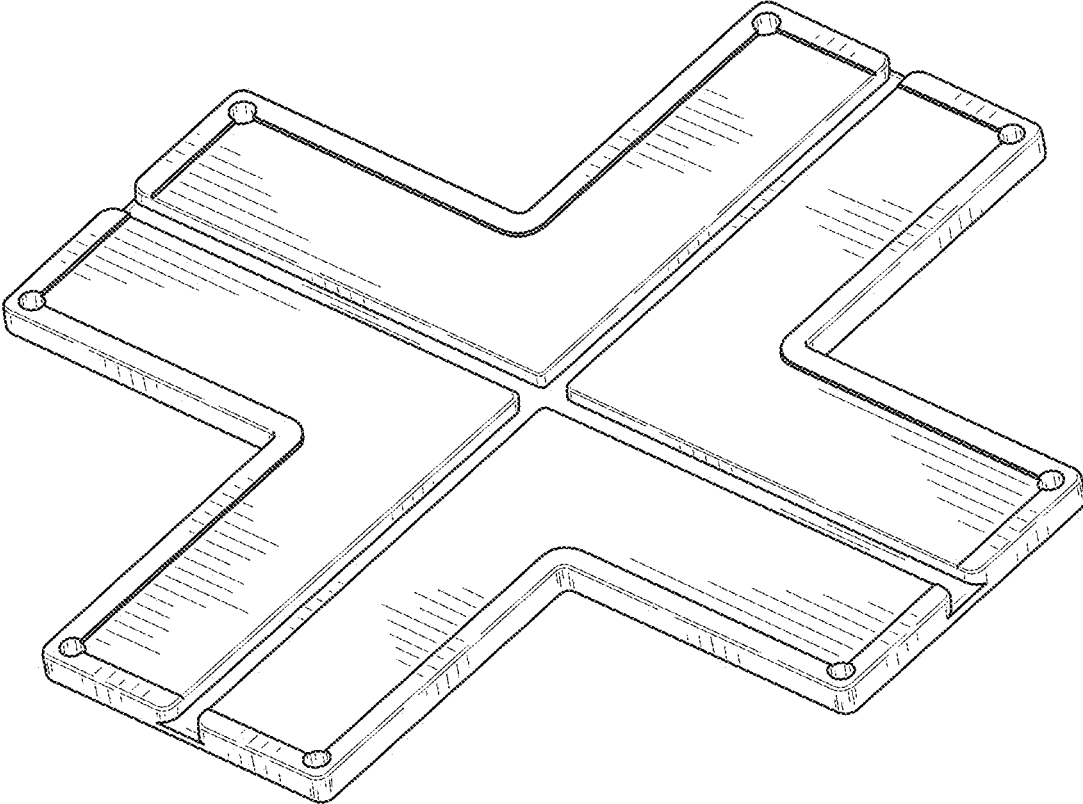


Fig. 22

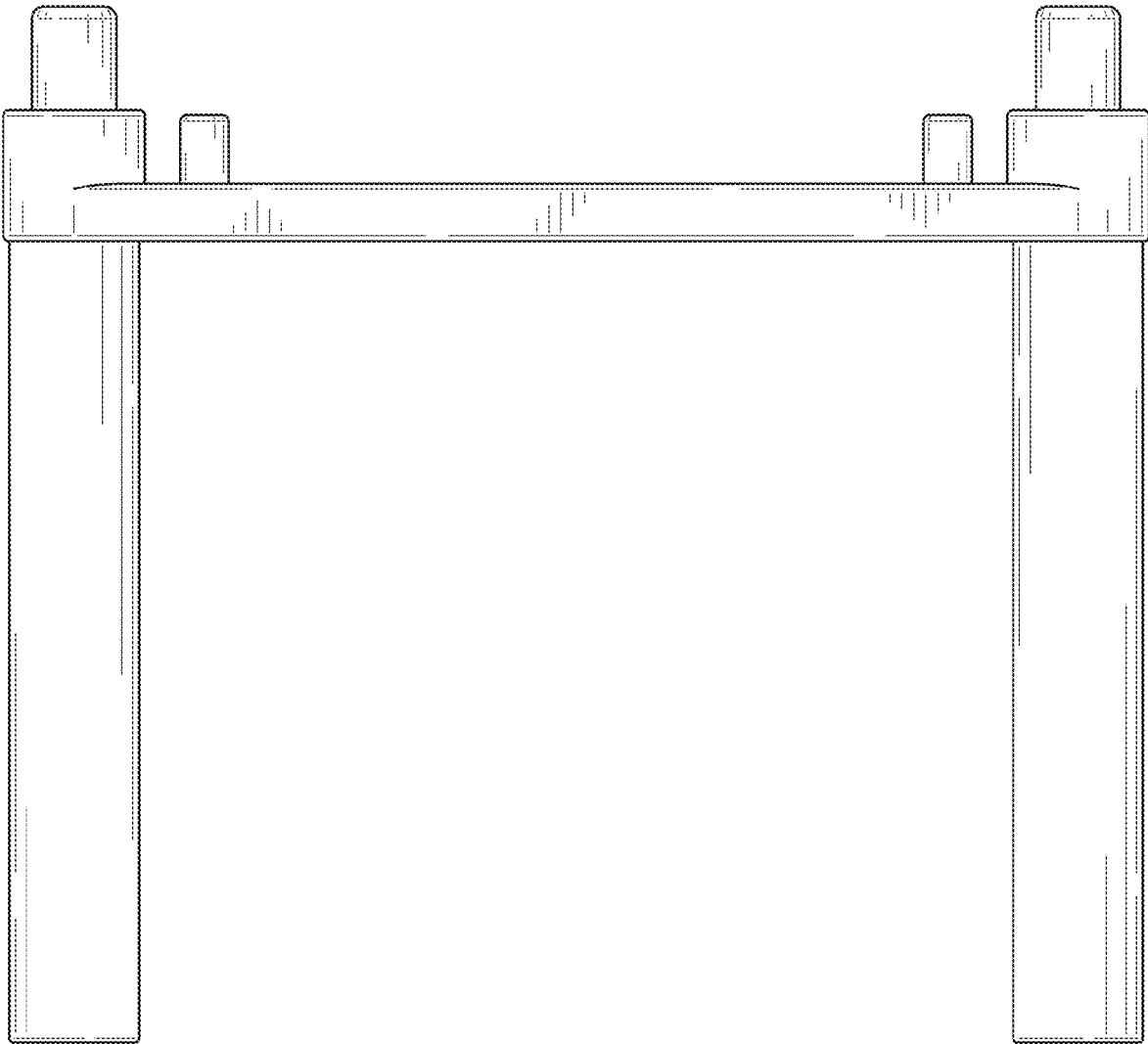


Fig. 23

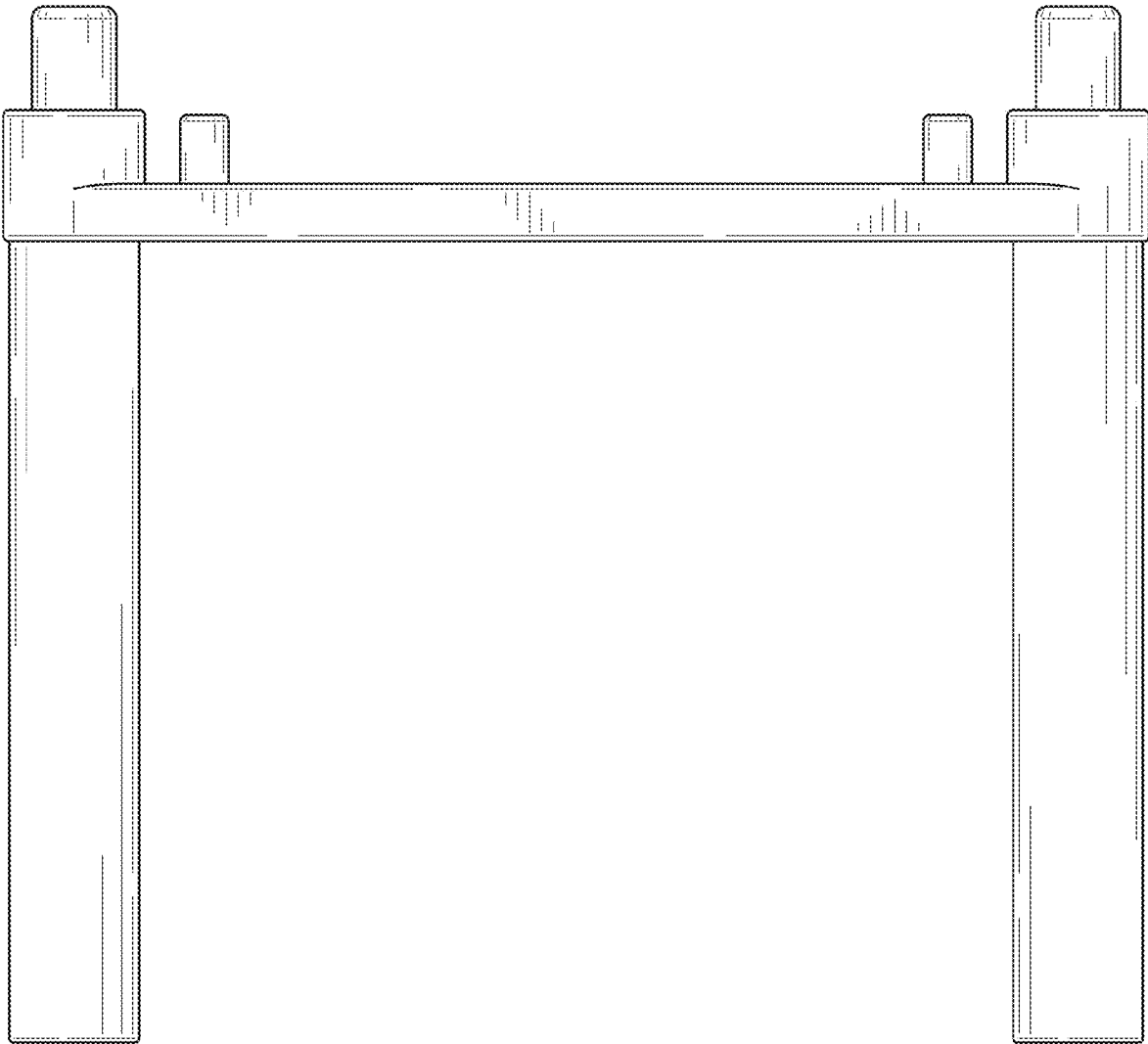


Fig. 24

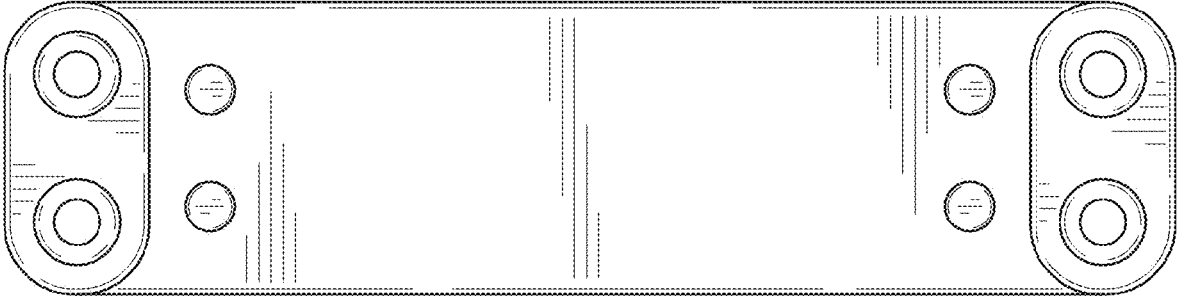


Fig. 25

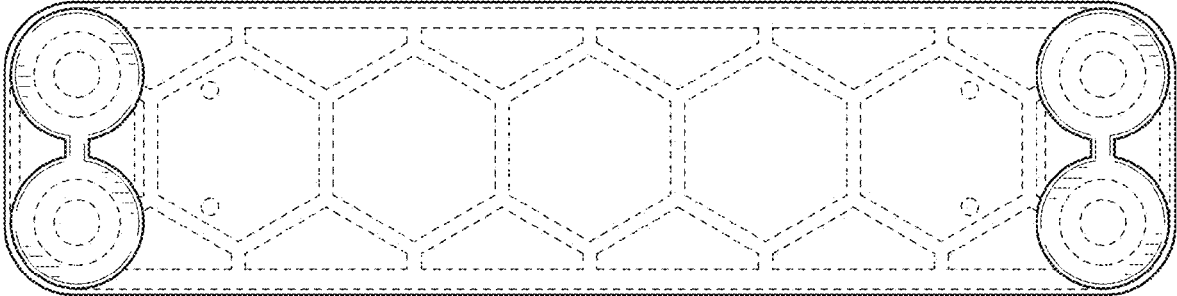


Fig. 26

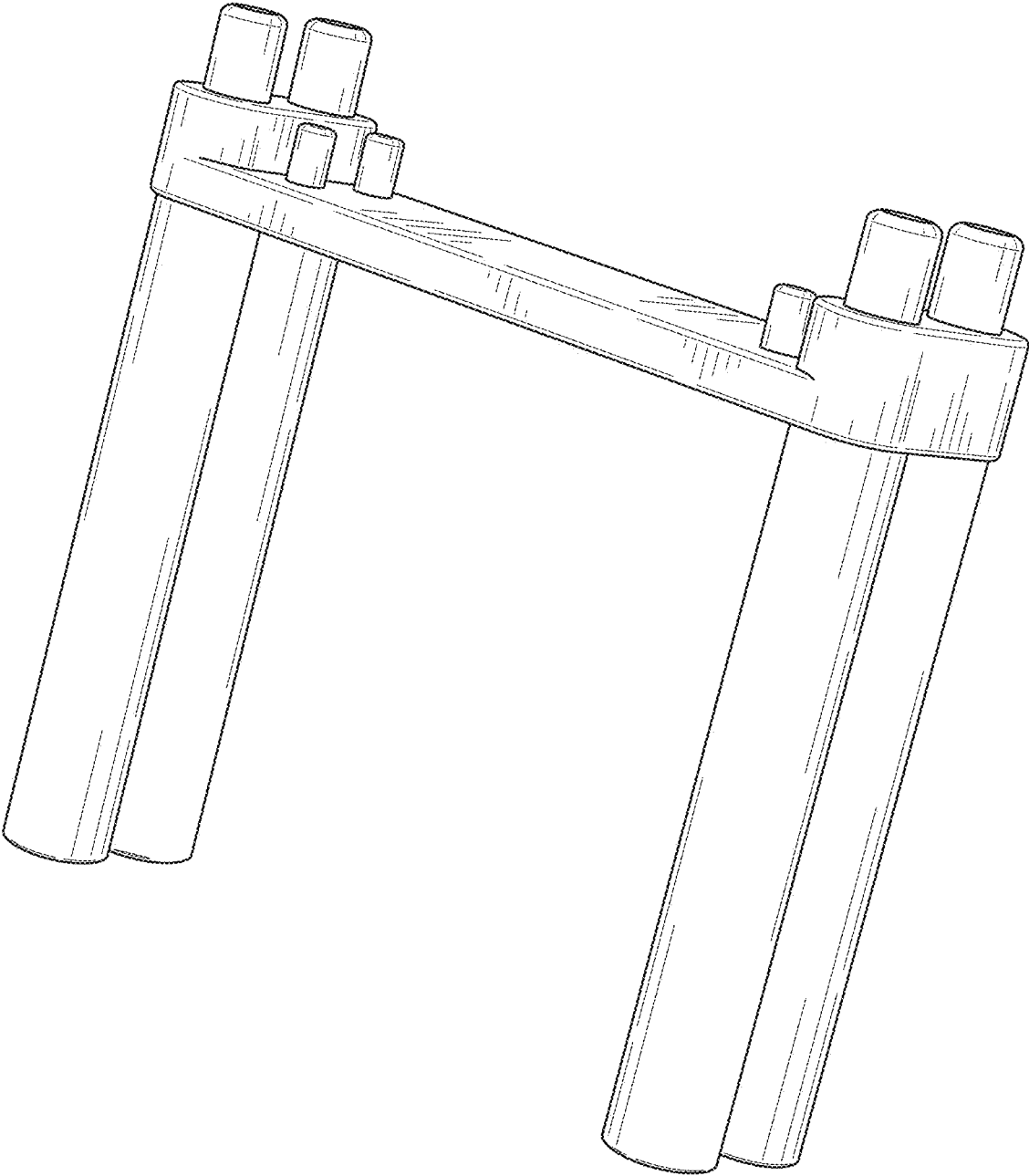


Fig. 27

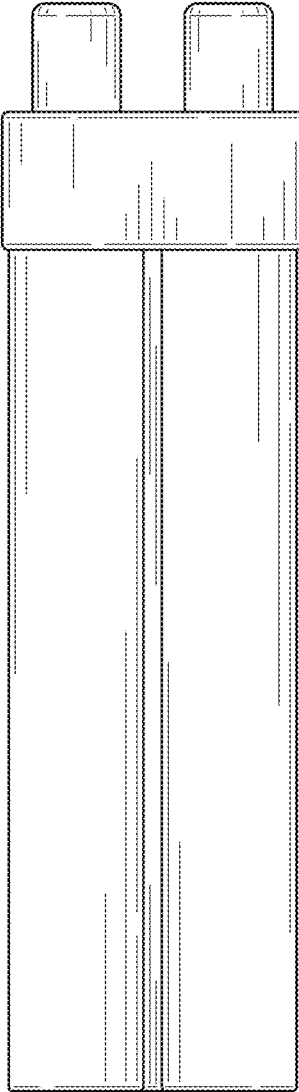


Fig. 28

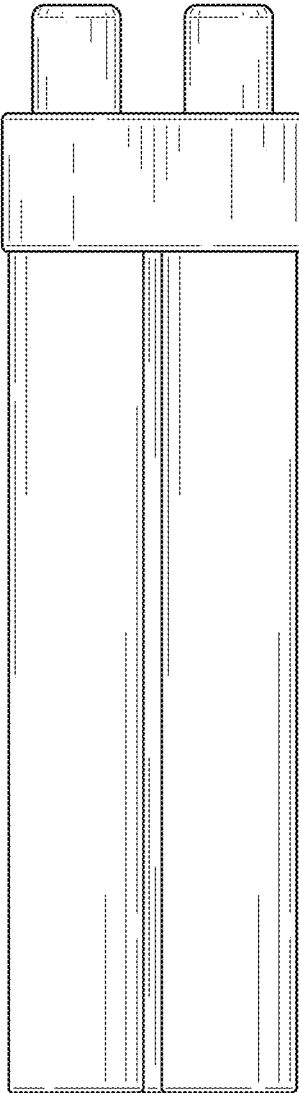


Fig. 29

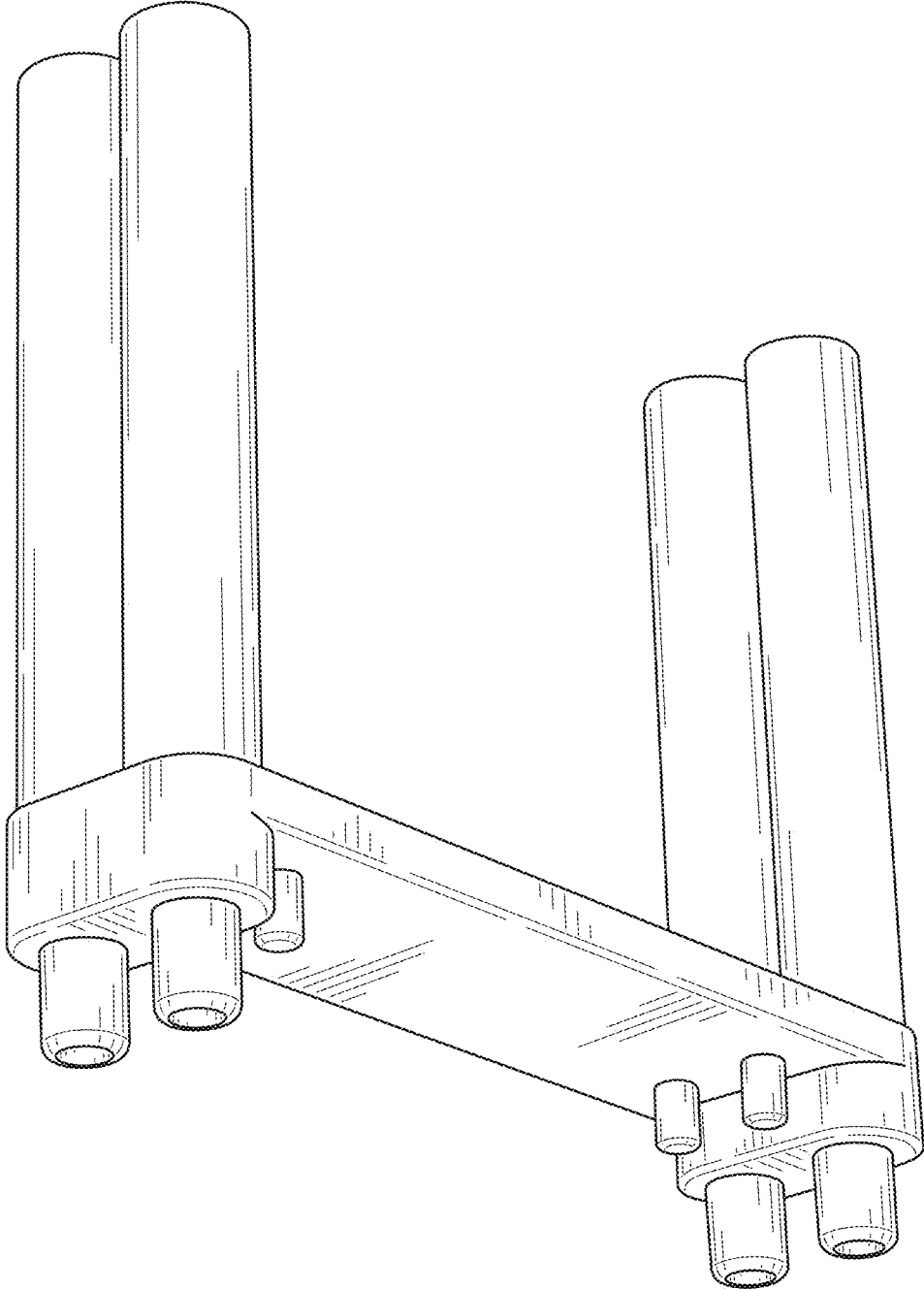


Fig. 30

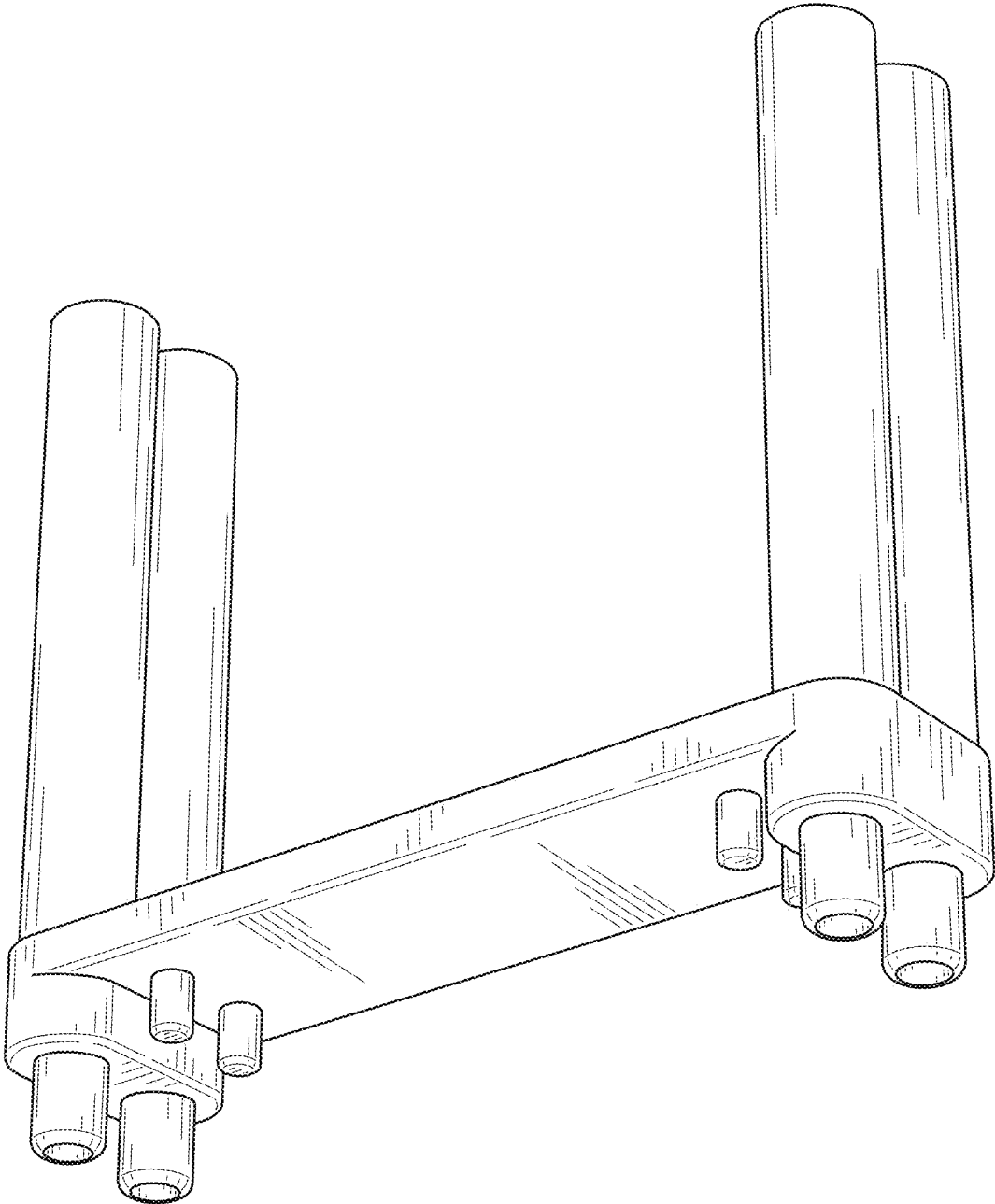


Fig. 31

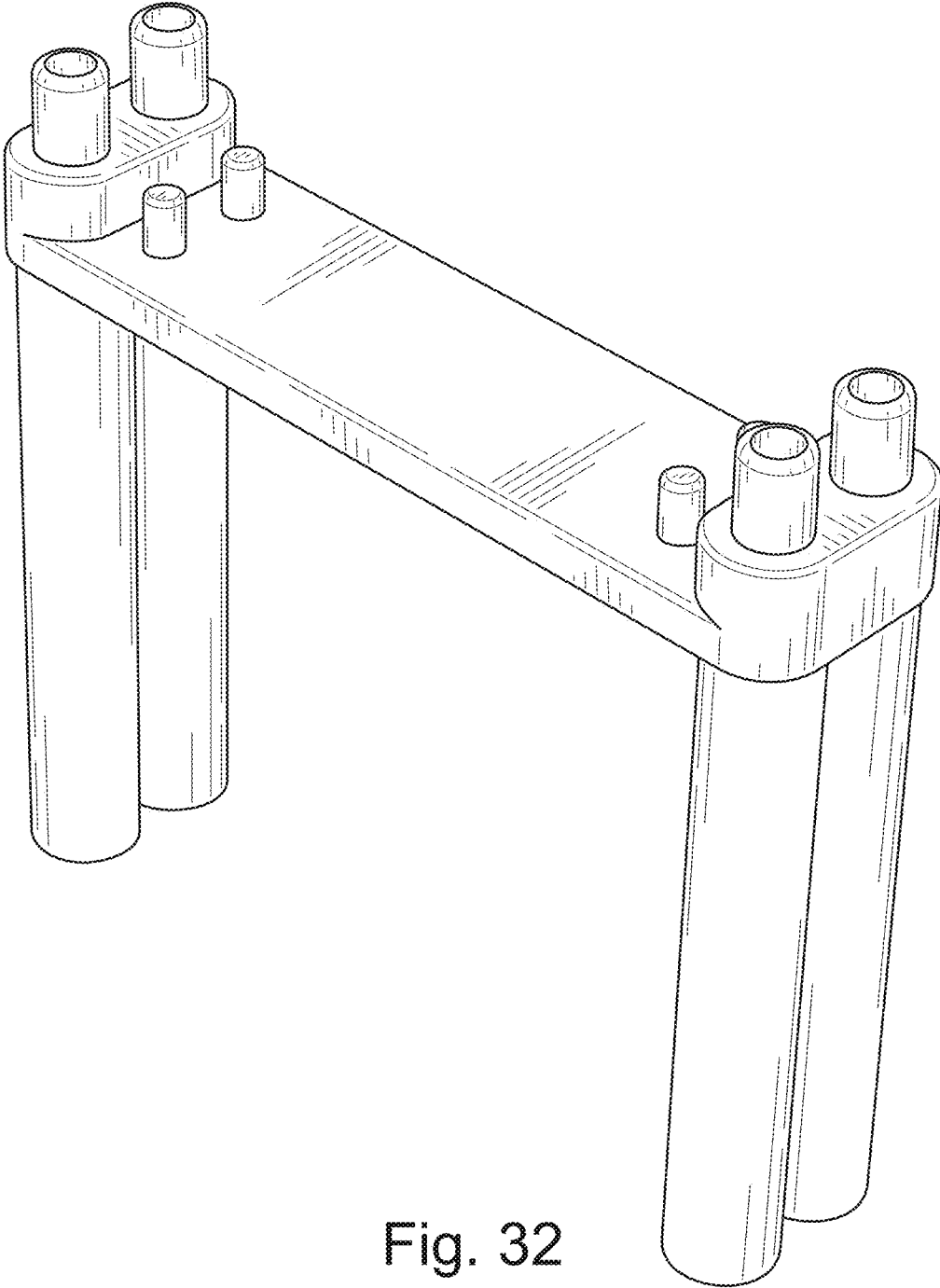


Fig. 32

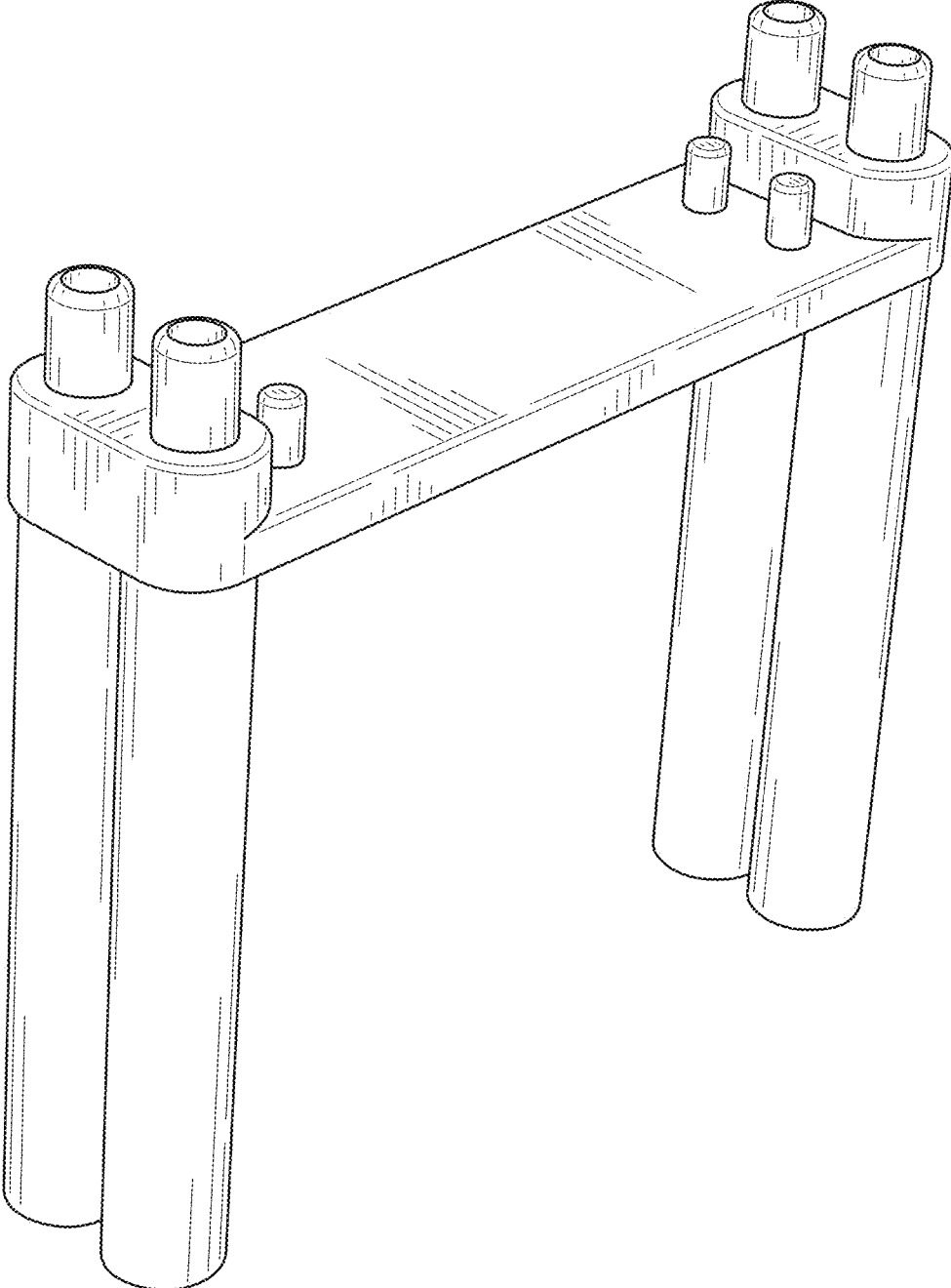


Fig. 33

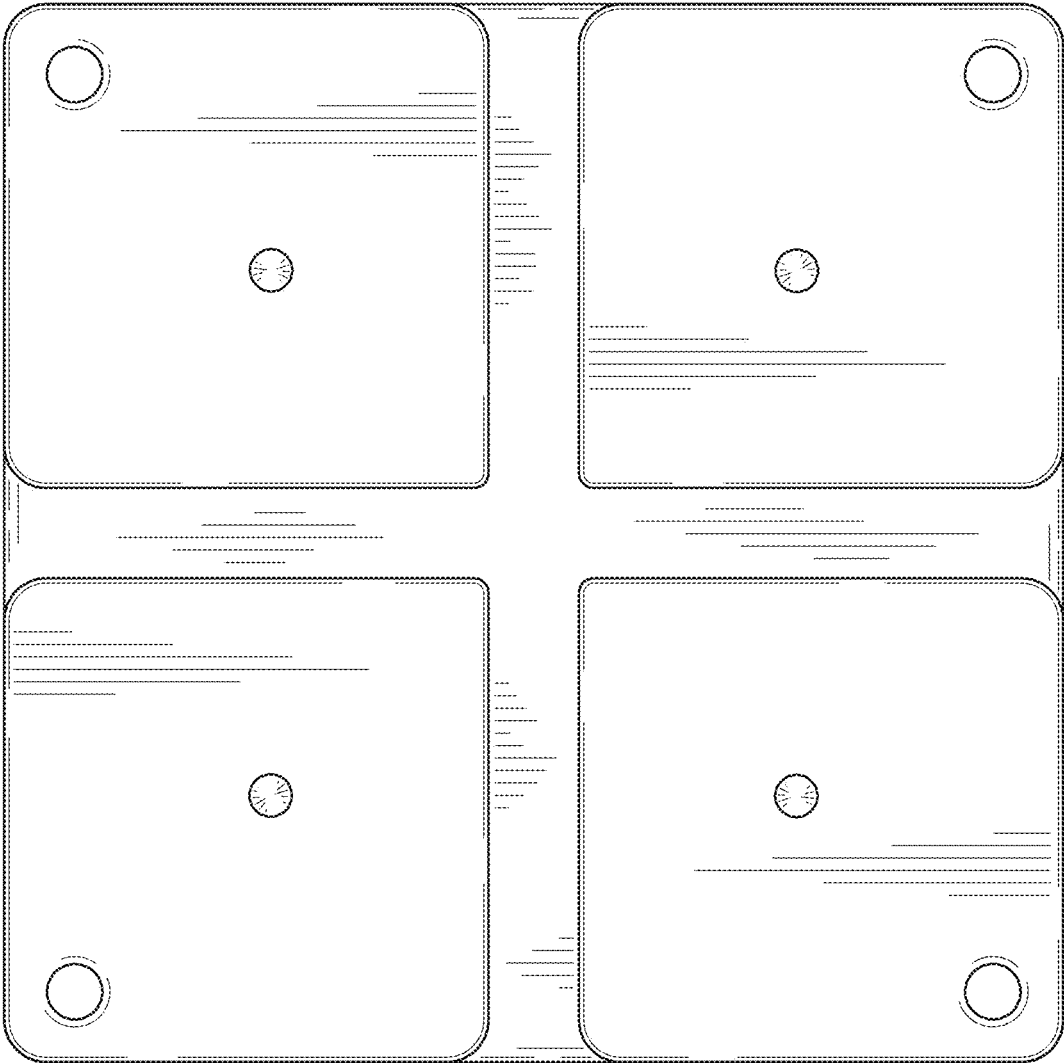


Fig. 34

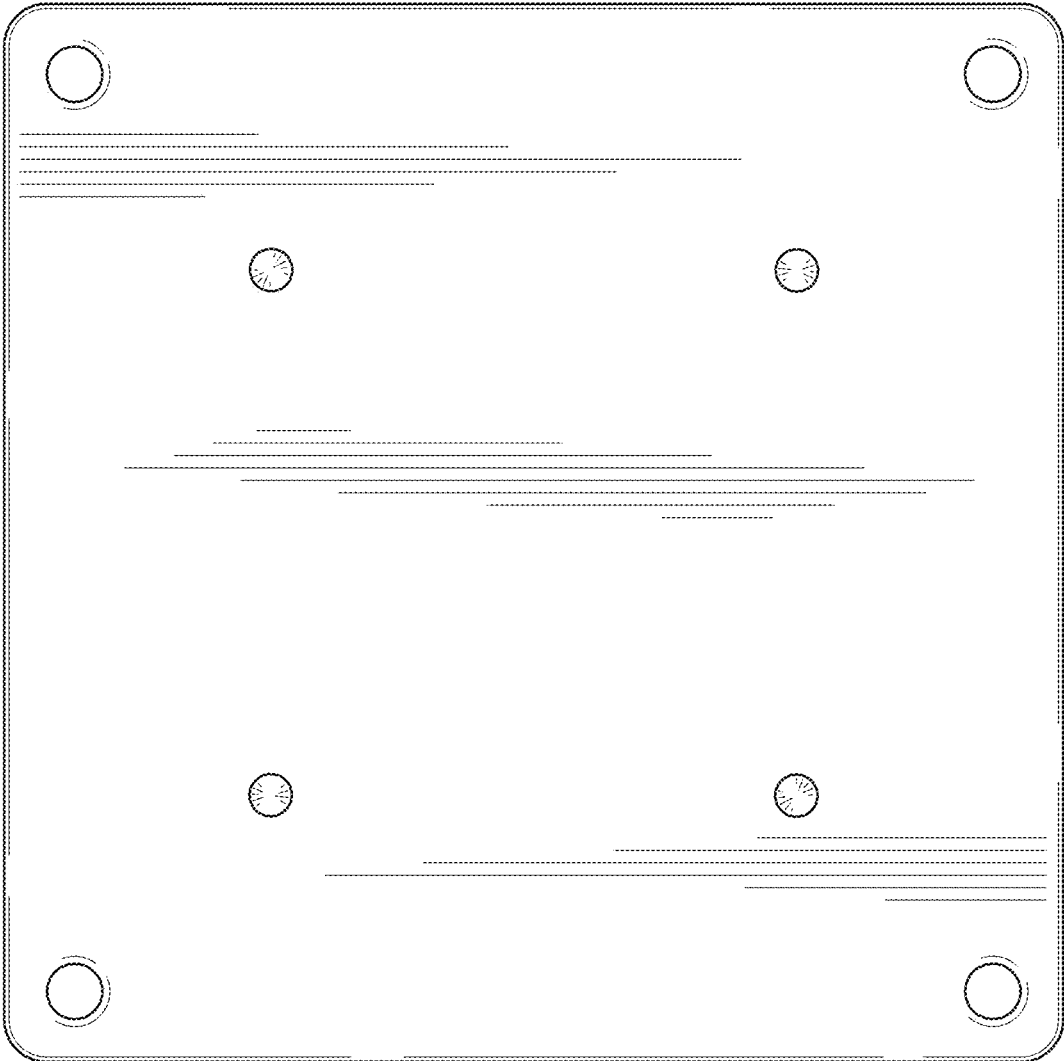


Fig. 35



Fig. 36

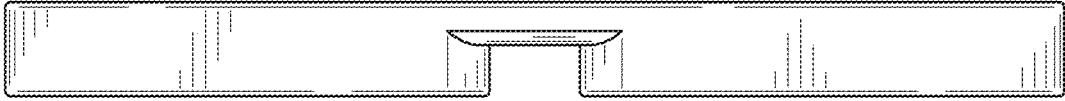


Fig. 37

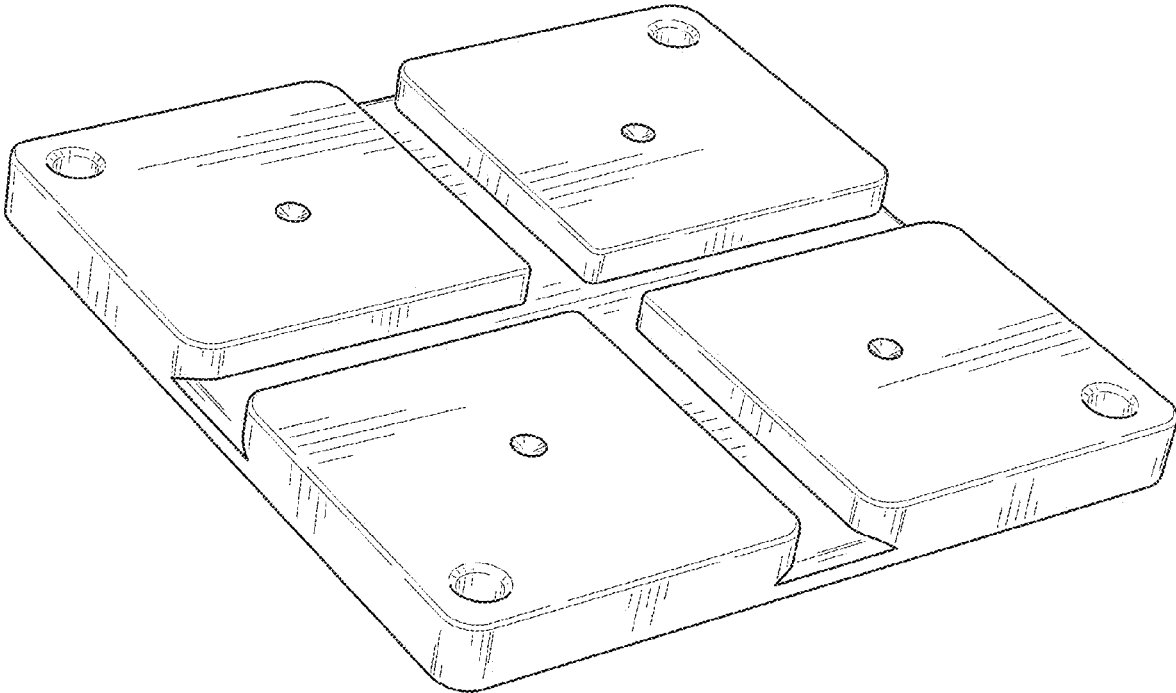


Fig. 38

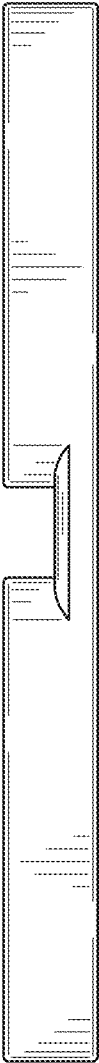


Fig. 39

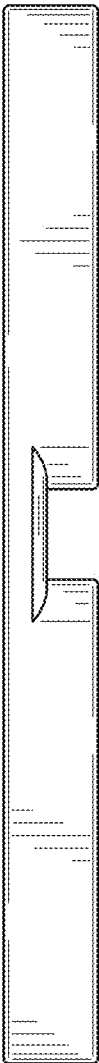


Fig. 40

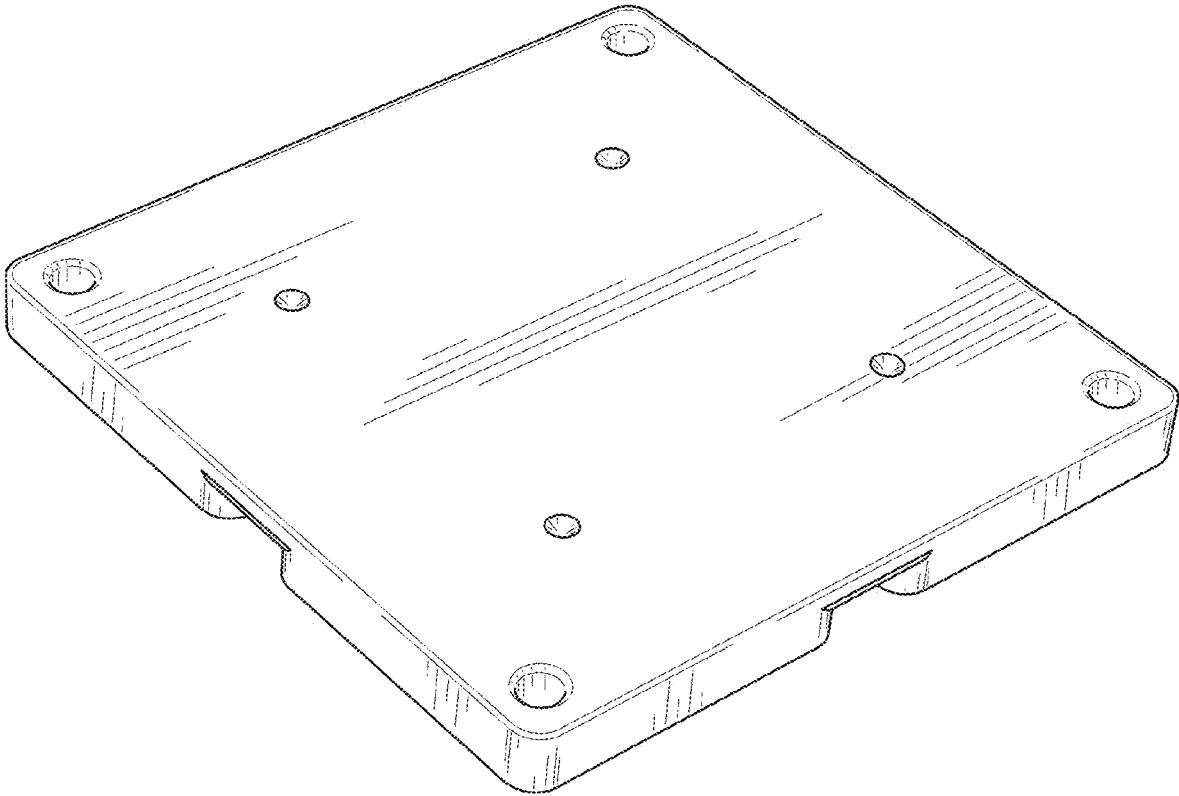


Fig. 41

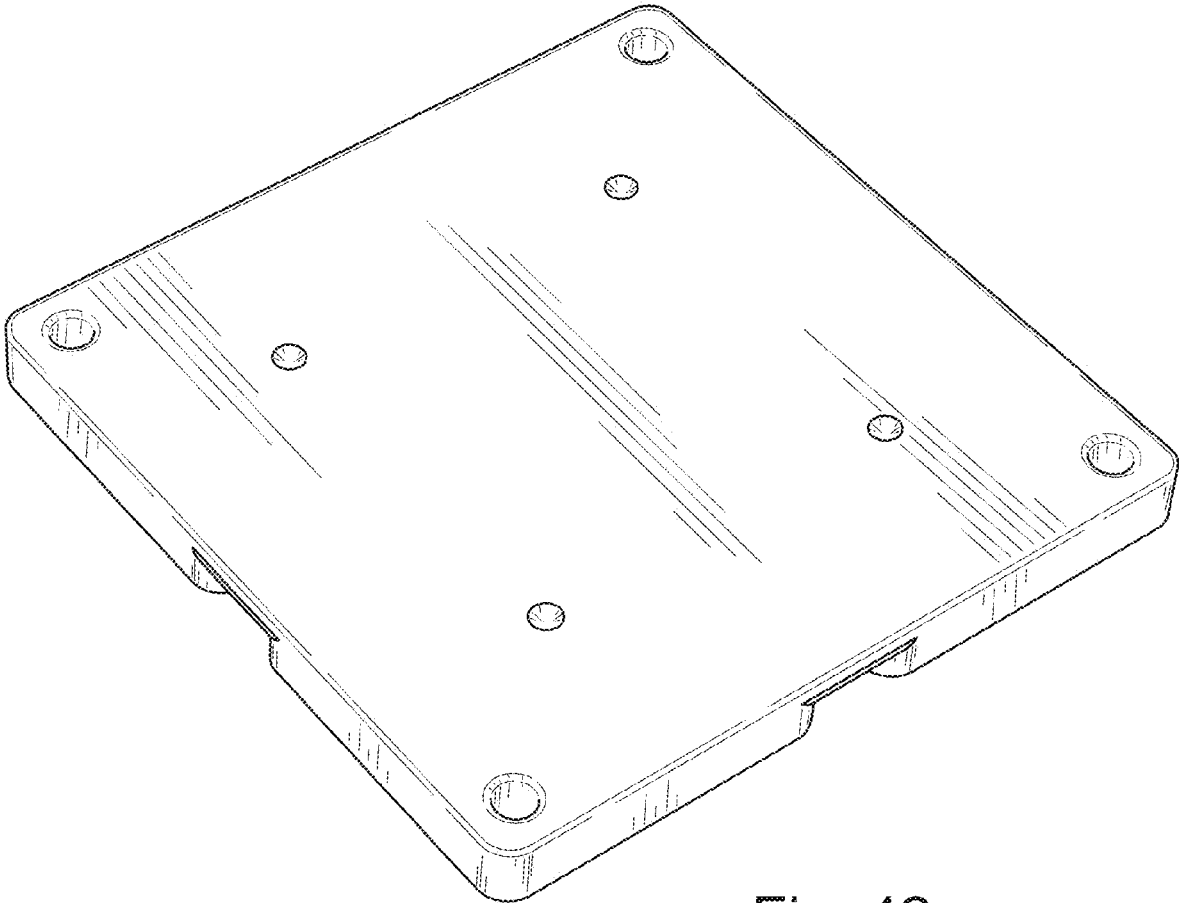


Fig. 42

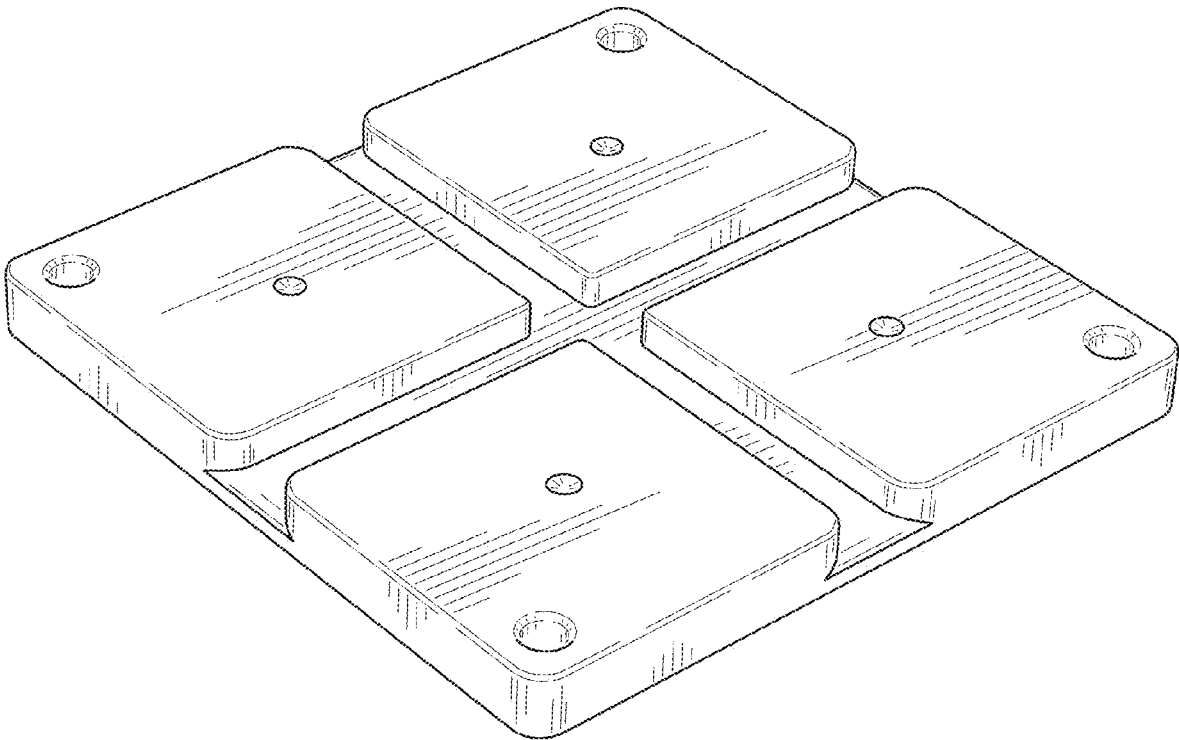


Fig. 43

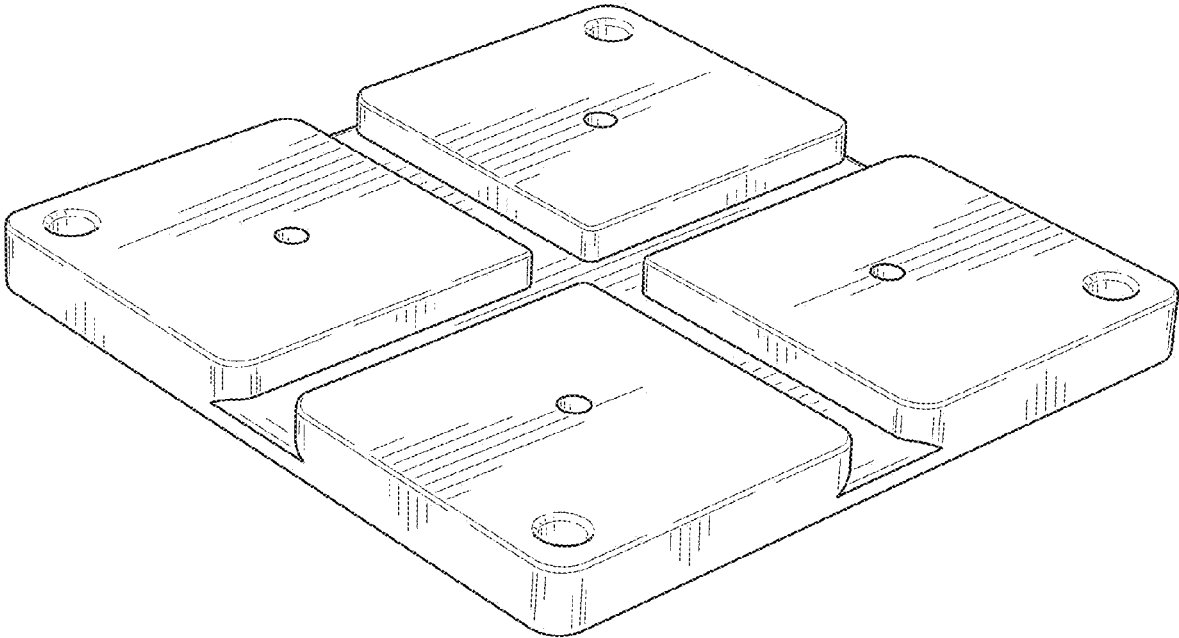


Fig. 44

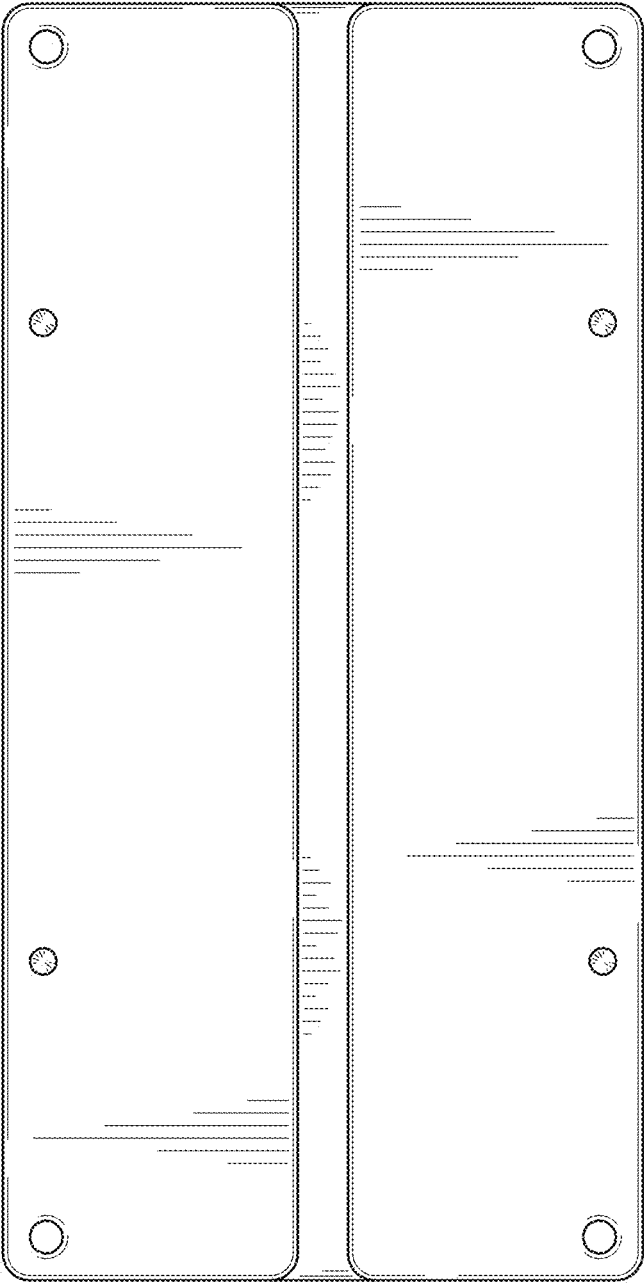


Fig. 45

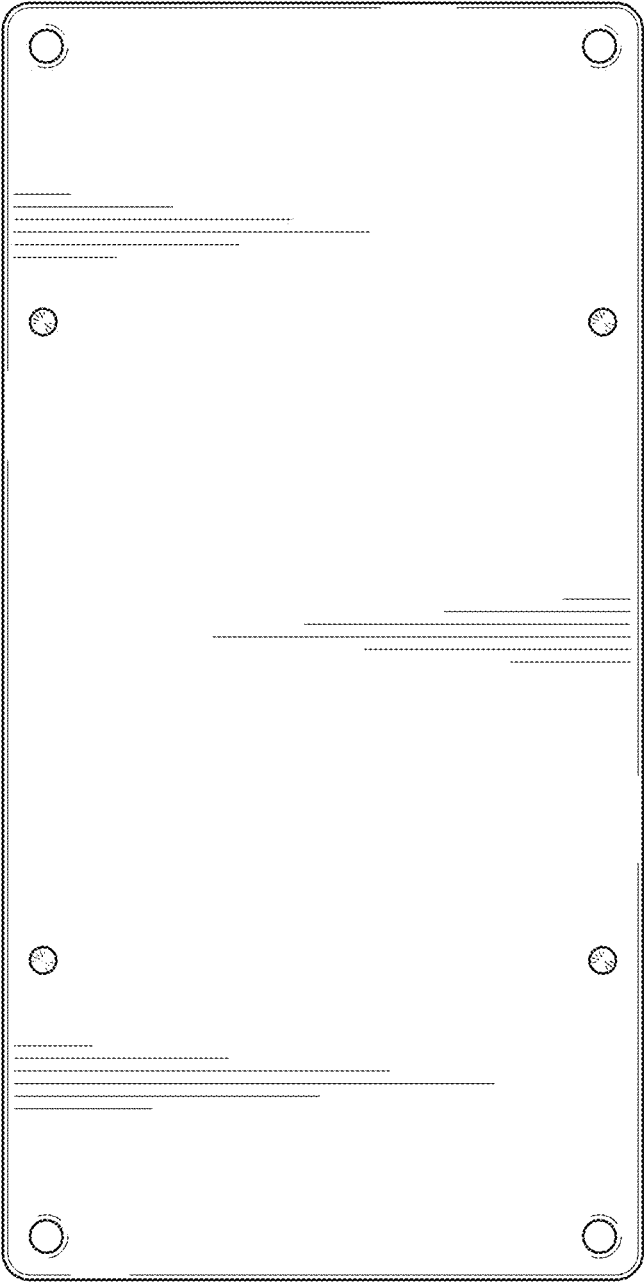


Fig. 46

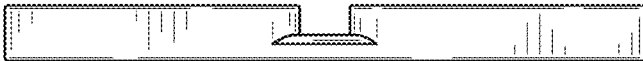


Fig. 47

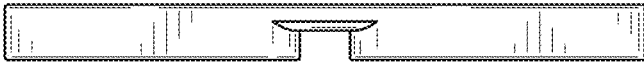


Fig. 48

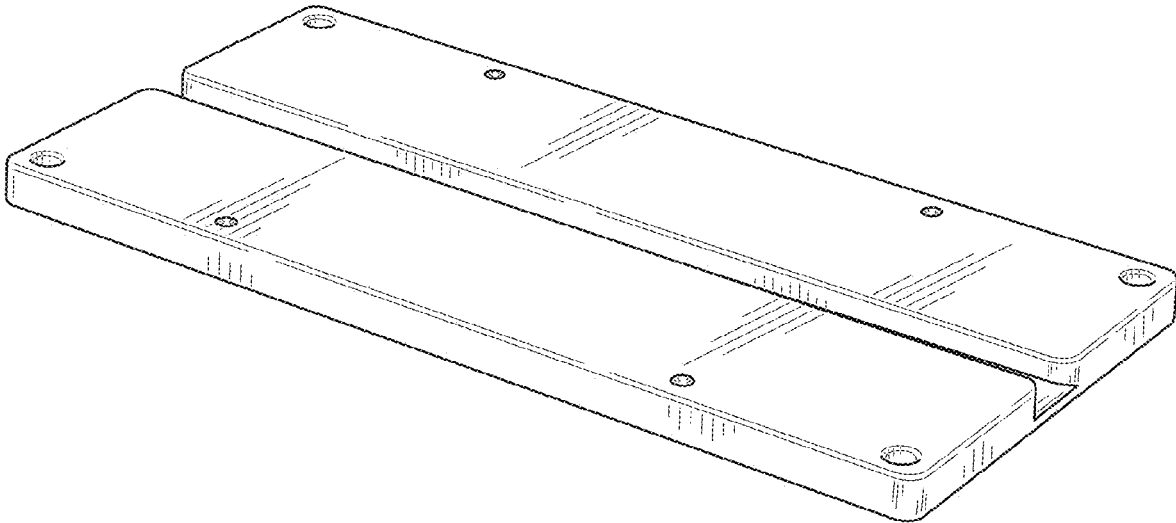


Fig. 49



Fig. 50



Fig. 51

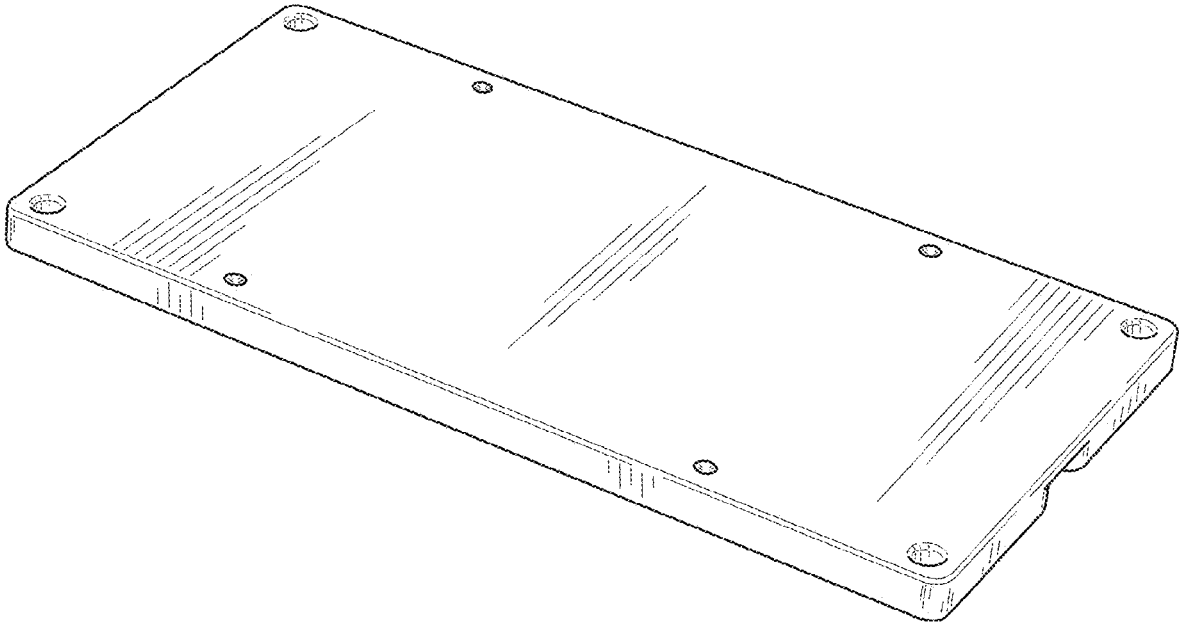


Fig. 52

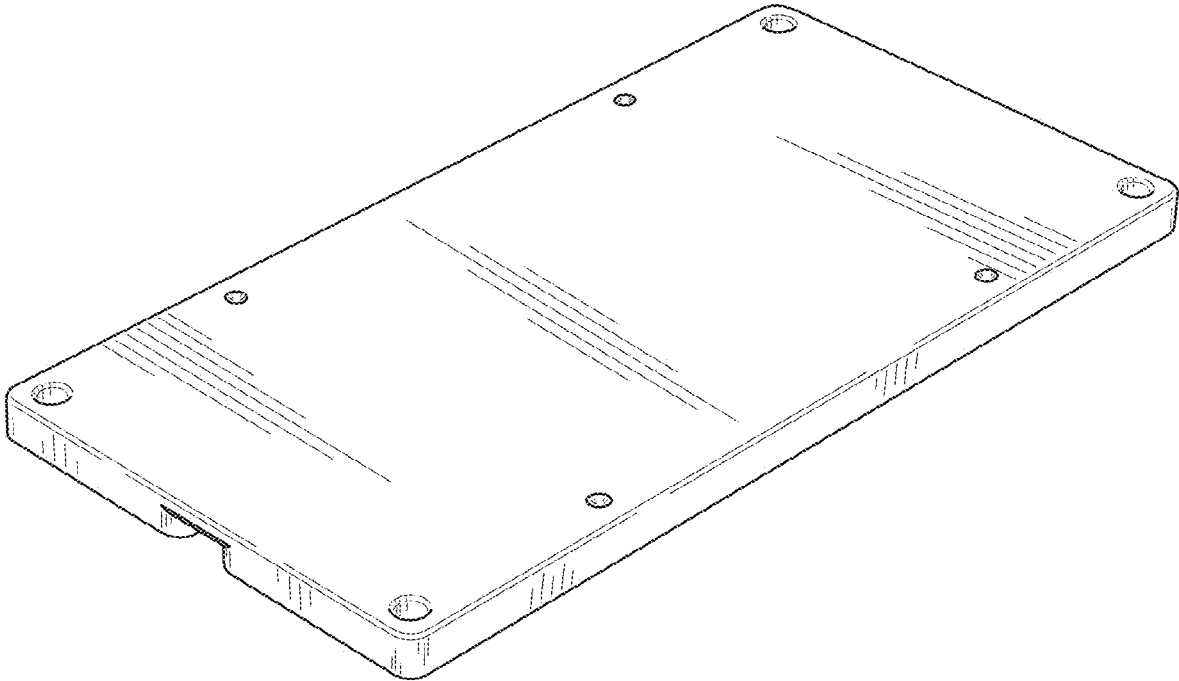


Fig. 53

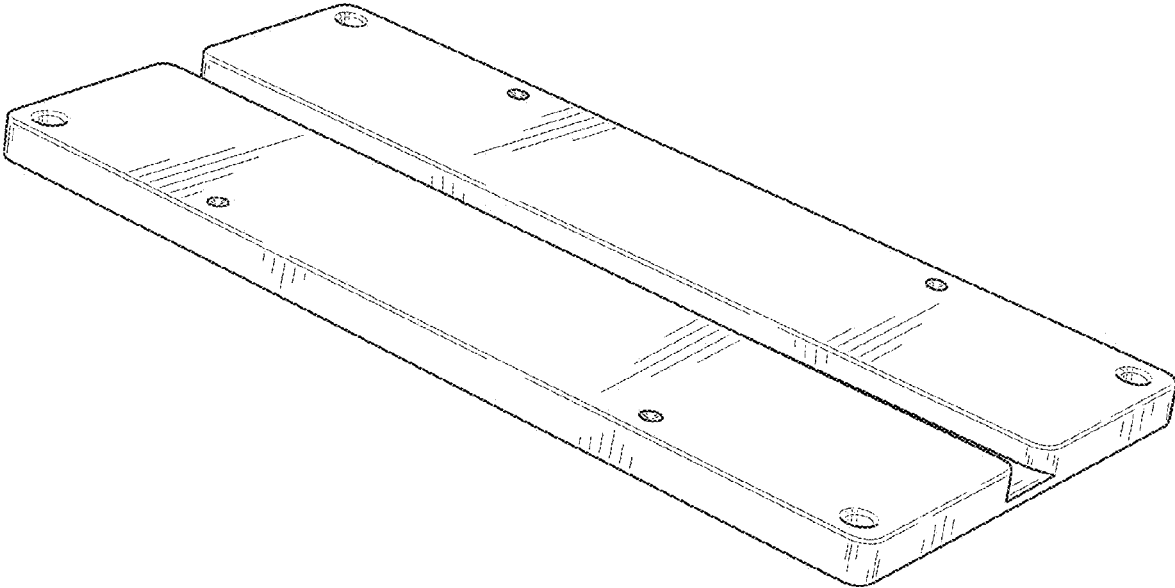


Fig. 54

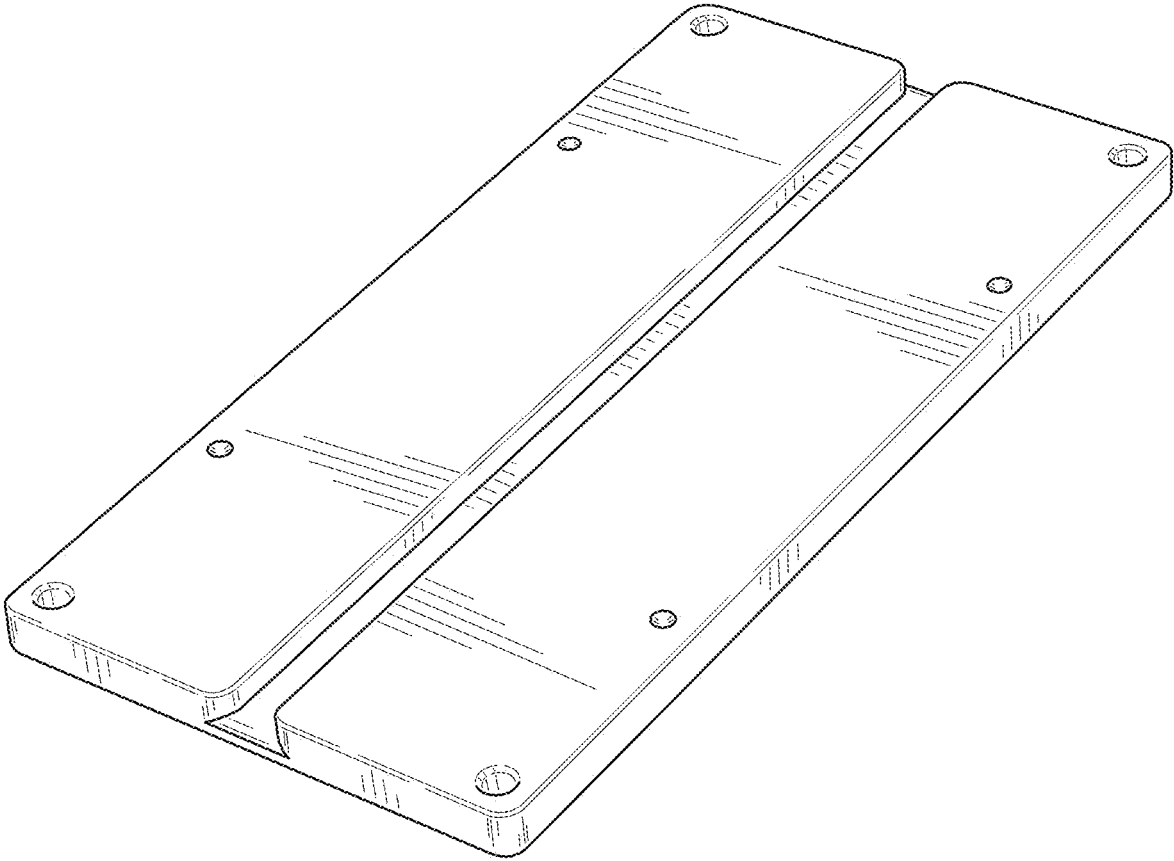


Fig. 55