



US00D810346S

(12) **United States Design Patent**  
**Genovese**

(10) **Patent No.:** **US D810,346 S**

(45) **Date of Patent:** **\*\* Feb. 13, 2018**

(54) **CHANDELIER**

**DESCRIPTION**

- (71) Applicant: **H-07 SRL**, Milan (IT)
- (72) Inventor: **Isabella Genovese**, Pieve di Soligo (IT)
- (73) Assignee: **H-07 SRL**, Milan (IT)
- (\*\*) Term: **15 Years**
- (21) Appl. No.: **29/583,360**
- (22) Filed: **Nov. 4, 2016**

(30) **Foreign Application Priority Data**

Jul. 28, 2016 (EM) ..... 003322163-0007  
 Jul. 28, 2016 (EM) ..... 003322163-0008  
 (Continued)

(51) **LOC (11) Cl.** ..... **26-03**

(52) **U.S. Cl.**  
USPC ..... **D26/86; D26/91**

(58) **Field of Classification Search**  
USPC ..... D26/72, 80, 81, 84, 85, 86, 88, 90, 91,  
D26/118, 138, 142  
(Continued)

(56) **References Cited**

**U.S. PATENT DOCUMENTS**

D155,064 S \* 9/1949 Baker ..... D26/86  
 D220,206 S \* 3/1971 Hamburger ..... D26/75  
 (Continued)

**OTHER PUBLICATIONS**

“Cycle Layers” 4844 Series from Eureka Lighting ©2015. (2 pages).\*

*Primary Examiner* — Clare E Heflin

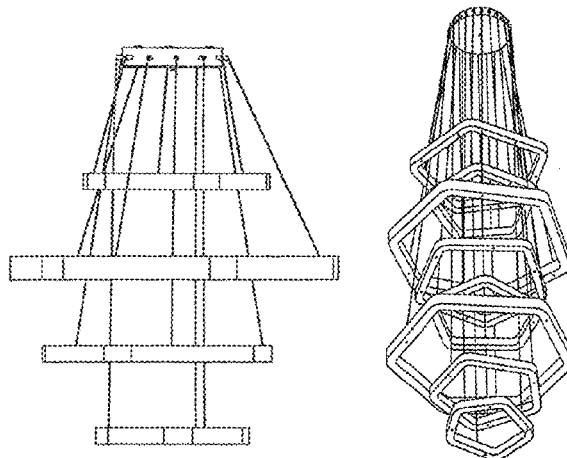
(74) *Attorney, Agent, or Firm* — Richard M. Goldberg

(57) **CLAIM**

The ornamental design for a chandelier, as shown.

FIG. 1 is a perspective view of the chandelier according to a first embodiment of the present invention;  
 FIG. 2 is a bottom plan view thereof;  
 FIG. 3 is a top plan view thereof;  
 FIG. 4 is a rear elevational view thereof;  
 FIG. 5 is a left side elevational view thereof;  
 FIG. 6 is a front elevational view thereof;  
 FIG. 7 is a right side elevational view thereof;  
 FIG. 8 is a perspective view of the chandelier according to a second embodiment of the present invention;  
 FIG. 9 is a bottom plan view thereof;  
 FIG. 10 is a top plan view thereof;  
 FIG. 11 is a rear elevational view thereof;  
 FIG. 12 is a left side elevational view thereof;  
 FIG. 13 is a front elevational view thereof;  
 FIG. 14 is a right side elevational view thereof;  
 FIG. 15 is a perspective view of the chandelier according to a third embodiment of the present invention;  
 FIG. 16 is a rear elevational view of the chandelier of FIG. 15;  
 FIG. 17 is a left side elevational view of the chandelier of FIG. 15;  
 FIG. 18 is a front elevational view of the chandelier of FIG. 15;  
 FIG. 19 is a right side elevational view of the chandelier of FIG. 15;  
 FIG. 20 is a top plan view of the chandelier of FIG. 15; 8;  
 FIG. 21 is a bottom plan view of the chandelier of FIG. 15;  
 FIG. 22 is a perspective view of the chandelier according to a fourth embodiment of the present invention;  
 FIG. 23 is a rear elevational view of the chandelier of FIG. 22;  
 FIG. 24 is a left side elevational view of the chandelier of FIG. 22;  
 FIG. 25 is a front elevational view of the chandelier of FIG. 22;  
 FIG. 26 is a right side elevational view of the chandelier of FIG. 22;  
 FIG. 27 is a top plan view of the chandelier of FIG. 22; and,  
 FIG. 28 is a bottom plan view of the chandelier of FIG. 22.

**1 Claim, 8 Drawing Sheets**



(30) **Foreign Application Priority Data**

Jul. 28, 2016 (EM) ..... 003322163-0009  
 Jul. 28, 2016 (EM) ..... 003322163-0010

(58) **Field of Classification Search**

CPC .... F21S 8/043; F21S 8/046; F21S 8/06; F21S  
 8/061; F21S 8/063; F21S 8/065; F21S  
 8/066; F21S 8/068; F21V 21/008; F21V  
 21/02; F21V 21/03; F21V 21/112; F21V  
 21/38

See application file for complete search history.

(56) **References Cited**

U.S. PATENT DOCUMENTS

D303,436	S *	9/1989	Clyde-Mason	.....	D26/86
D339,652	S *	9/1993	Segill	.....	D26/86
D468,475	S *	1/2003	De Lucchi	.....	D26/90
D481,484	S *	10/2003	Cuevas	.....	D26/84
D536,468	S *	2/2007	Crosby	.....	D26/84
D603,083	S *	10/2009	Trumble	.....	D26/90
D622,891	S *	8/2010	Nadell	.....	D26/85
D635,711	S *	4/2011	Scutella'	.....	D26/88
D697,251	S *	1/2014	Baylar	.....	D26/88
D701,991	S *	4/2014	Blum	.....	D26/90
D740,480	S *	10/2015	Thompson	.....	D26/90
D761,990	S *	7/2016	Ng	.....	D26/80
2010/0220497	A1 *	9/2010	Ngai	.....	F21S 8/06 362/610
2013/0329424	A1 *	12/2013	Clark	.....	F21S 8/061 362/235
2015/0277030	A1 *	10/2015	Huang	.....	F21S 8/061 362/611

\* cited by examiner

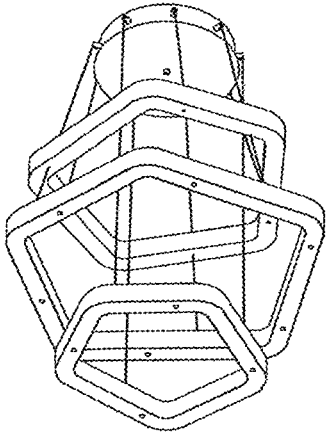


FIG. 1

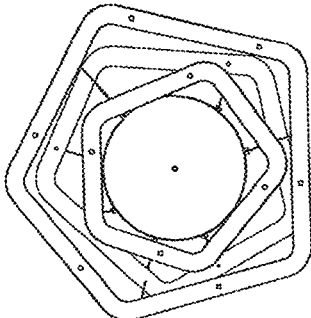


FIG. 2

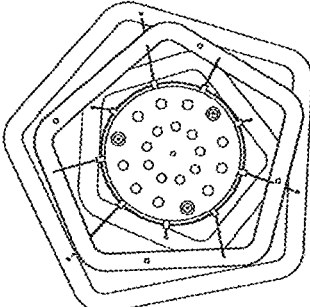


FIG. 3

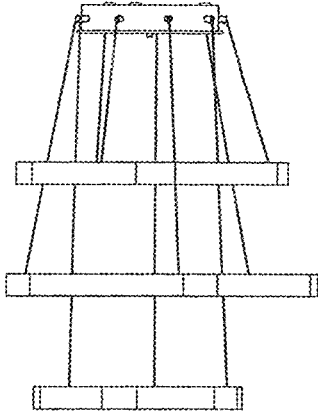


FIG. 4

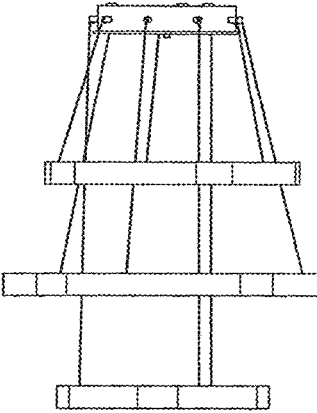


FIG. 5

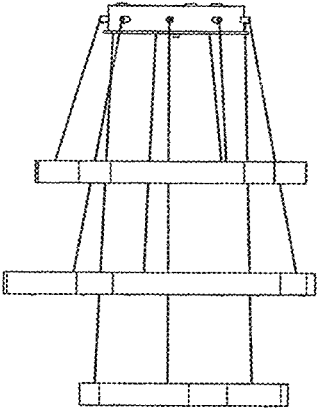


FIG. 6

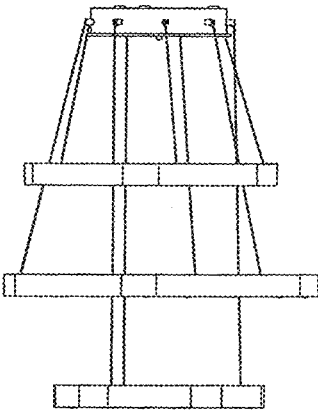


FIG. 7

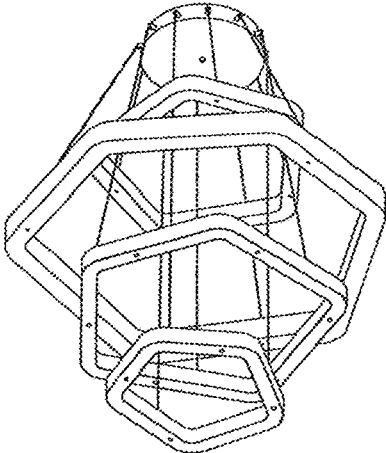


FIG. 8

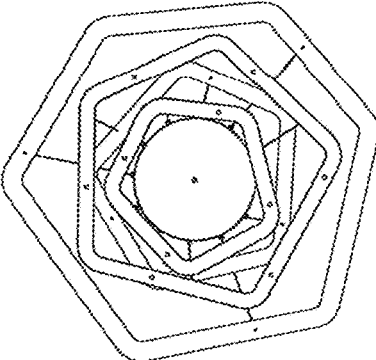


FIG. 9

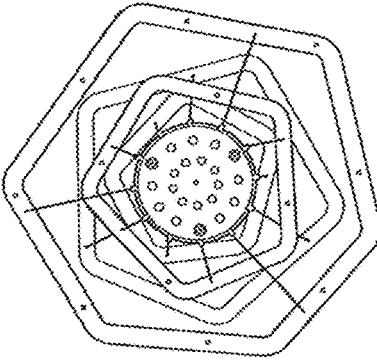


FIG. 10

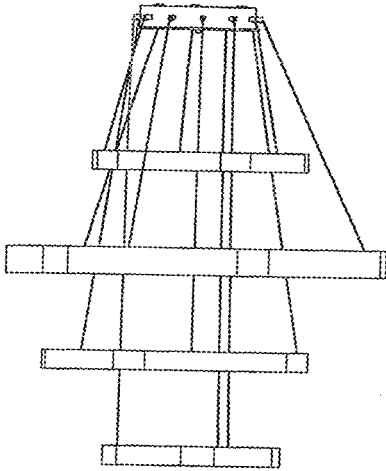


FIG. 11

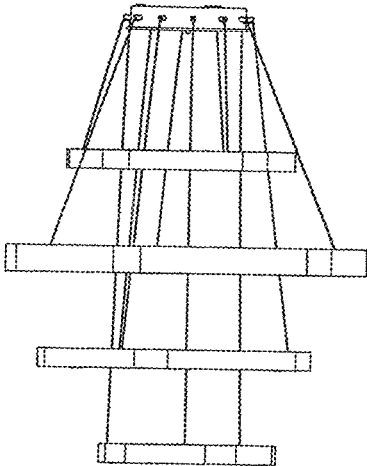


FIG. 12

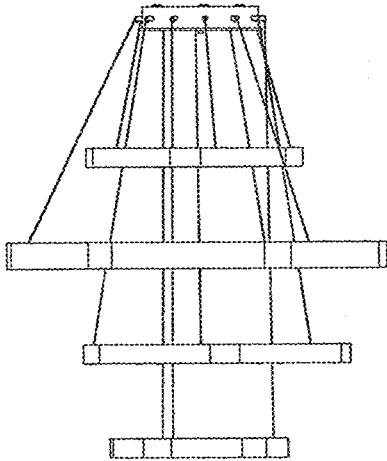


FIG. 13

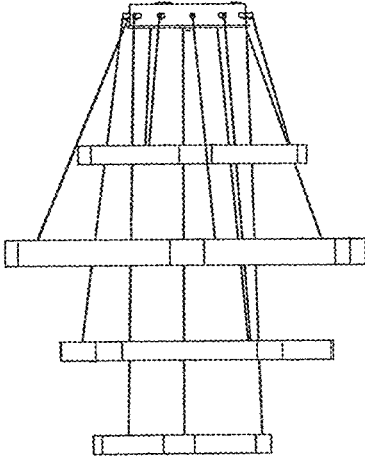


FIG. 14

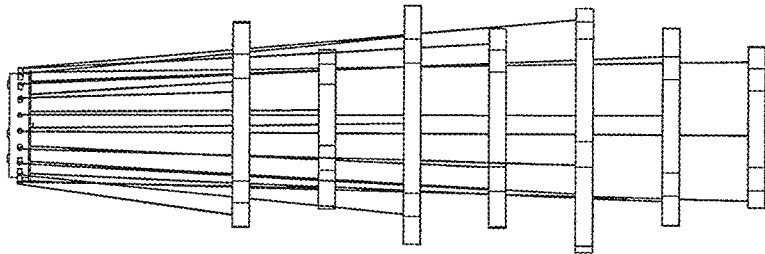


FIG. 17

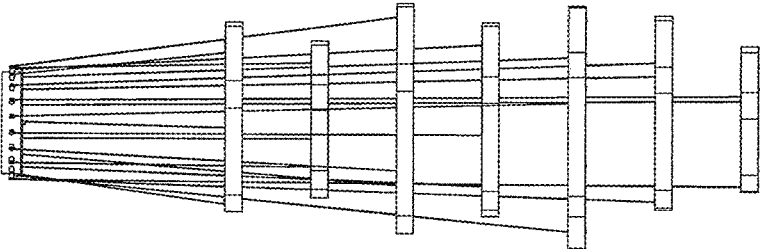


FIG. 16

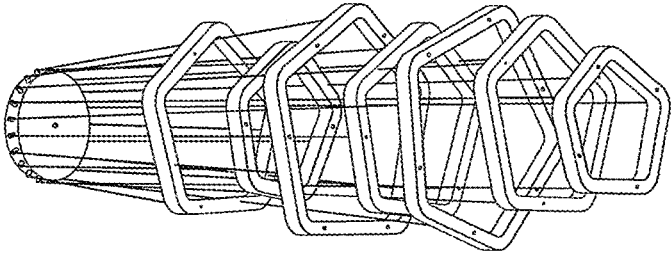


FIG. 15

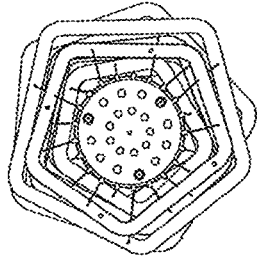


FIG. 20

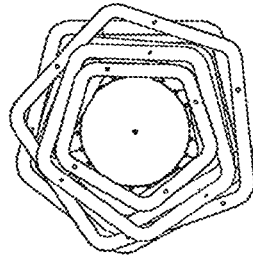


FIG. 21

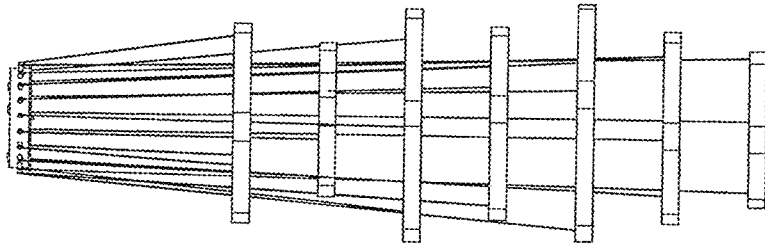


FIG. 19

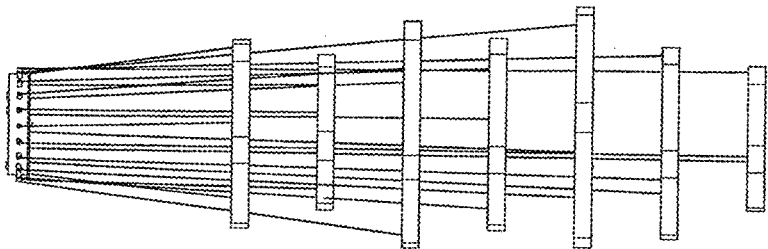


FIG. 18



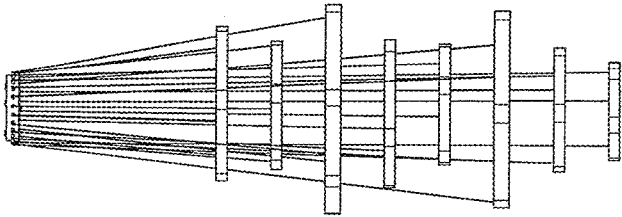


FIG. 24

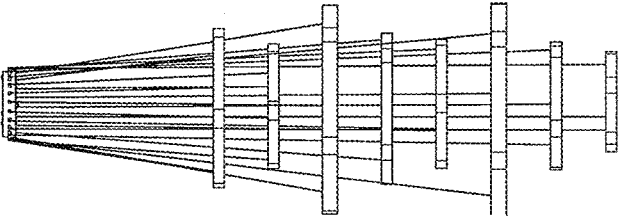


FIG. 23

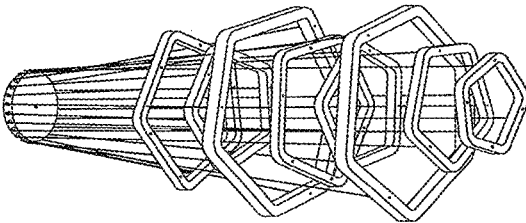


FIG. 22

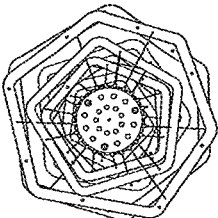


FIG. 27

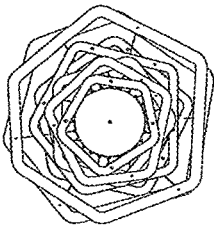


FIG. 28

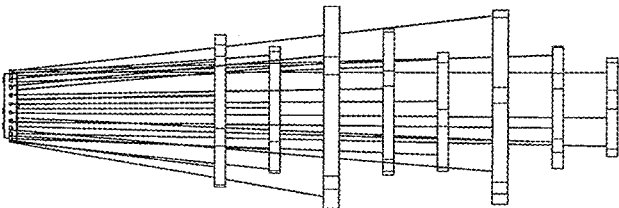


FIG. 26

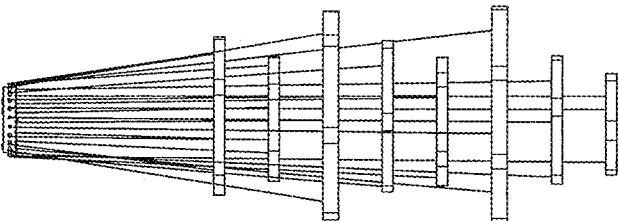


FIG. 25