

(19) World Intellectual Property Organization  
International Bureau



(43) International Publication Date  
24 September 2009 (24.09.2009)

(10) International Publication Number  
**WO 2009/116795 A3**

(51) International Patent Classification:  
*H04W 4/22* (2009.01) *H04W 4/12* (2009.01)

431-080 (KR). **CHUN, Sung-Duck** [KR/KR]; 533, Hogye-Dong, Dongan-Gu, Anyang, Gyeonggi-Do 431-080 (KR).

(21) International Application Number:  
PCT/KR2009/001356

(74) Agent: **PARK, Jang-Won**; Jewoo Bldg. 5th Floor, 200, Nonhyun-Dong, Gangnam-Gu, Seoul 135-010 (KR).

(22) International Filing Date:  
18 March 2009 (18.03.2009)

(81) Designated States (unless otherwise indicated, for every kind of national protection available): AE, AG, AL, AM, AO, AT, AU, AZ, BA, BB, BG, BH, BR, BW, BY, BZ, CA, CH, CN, CO, CR, CU, CZ, DE, DK, DM, DO, DZ, EC, EE, EG, ES, FI, GB, GD, GE, GH, GM, GT, HN, HR, HU, ID, IL, IN, IS, JP, KE, KG, KM, KN, KP, KZ, LA, LC, LK, LR, LS, LT, LU, LY, MA, MD, ME, MG, MK, MN, MW, MX, MY, MZ, NA, NG, NI, NO, NZ, OM, PG, PH, PL, PT, RO, RS, RU, SC, SD, SE, SG, SK, SL, SM, ST, SV, SY, TJ, TM, TN, TR, TT, TZ, UA, UG, US, UZ, VC, VN, ZA, ZM, ZW.

(25) Filing Language: English

(26) Publication Language: English

(30) Priority Data:  
61/037,681 18 March 2008 (18.03.2008) US  
61/038,035 19 March 2008 (19.03.2008) US  
61/073,748 18 June 2008 (18.06.2008) US  
10-2009-0022685 17 March 2009 (17.03.2009) KR

(71) Applicant (for all designated States except US): **LG ELECTRONICS INC.** [KR/KR]; 20, Yeouido-Dong, Yeongdeungpo-Gu, Seoul 150-721 (KR).

(84) Designated States (unless otherwise indicated, for every kind of regional protection available): ARIPO (BW, GH, GM, KE, LS, MW, MZ, NA, SD, SL, SZ, TZ, UG, ZM, ZW), Eurasian (AM, AZ, BY, KG, KZ, MD, RU, TJ, TM), European (AT, BE, BG, CH, CY, CZ, DE, DK, EE, ES, FI, FR, GB, GR, HR, HU, IE, IS, IT, LT, LU, LV, MC, MK, MT, NL, NO, PL, PT, RO, SE, SI, SK, TR), OAPI (BF, BJ, CF, CG, CI, CM, GA, GN, GQ, GW, ML, MR, NE, SN, TD, TG).

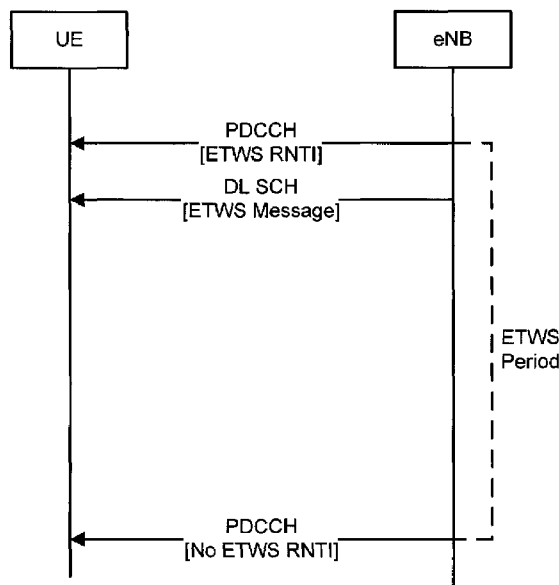
(72) Inventors; and

(75) Inventors/Applicants (for US only): **LEE, Young-Dae** [KR/KR]; 533, Hogye-Dong, Dongan-Gu, Anyang, Gyeonggi-Do 431-080 (KR). **PARK, Sung-Jun** [KR/KR]; 533, Hogye-Dong, Dongan-Gu, Anyang, Gyeonggi-Do 431-080 (KR). **YI, Seung-June** [KR/KR]; 533, Hogye-Dong, Dongan-Gu, Anyang, Gyeonggi-Do

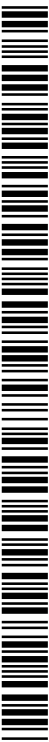
[Continued on next page]

(54) Title: METHOD OF RECEIVING A DISASTER WARNING MESSAGE IN MOBILE COMMUNICATION SYSTEM

[Fig. 6]



(57) Abstract: Disclosed is a method of receiving a warning message in wireless communication system. A terminal (UE) monitors a physical downlink control channel to receive a specific Radio Network Temporary Identifier (RNTI) that indicates an existence of the warning message, and the terminal receives the warning message through a control logical channel that maps with a downlink shared channel if the warning message is existed.



WO 2009/116795 A3



**Published:**

**(88) Date of publication of the international search report:**

17 December 2009

- *with international search report (Art. 21(3))*
- *before the expiration of the time limit for amending the claims and to be republished in the event of receipt of amendments (Rule 48.2(h))*

**A. CLASSIFICATION OF SUBJECT MATTER****H04W 4/22(2009.01)i, H04W 4/12(2009.01)i**

According to International Patent Classification (IPC) or to both national classification and IPC

**B. FIELDS SEARCHED**

Minimum documentation searched (classification system followed by classification symbols)

IPC H04W

Documentation searched other than minimum documentation to the extent that such documents are included in the fields searched

Korean Utility models and applications for Utility models since 1975

Japanese Utility models and applications for Utility models since 1975

Electronic data base consulted during the international search (name of data base and, where practicable, search terms used)

eKOMPASS(KIPO internal) : "control channel, warning, disaster, message, UMTS"

**C. DOCUMENTS CONSIDERED TO BE RELEVANT**

Category*	Citation of document, with indication, where appropriate, of the relevant passages	Relevant to claim No.
A	WO 2007-028914 A1 (ALCATEL) 15 Mar. 2007 Abstract, Fig.1	1,10
A	US 2003-0193394 A1 (LAMB) 16 Oct. 2003 Abstract, Fig.2	1.10
A	WO 2007-045564 A1 (SIEMENS) 26 Apr. 2007 Abstract, Fig.3	1,10
E	US 2009-0170467 A1 (NOWLAN et al.) 02 Jul. 2009 Abstract, Figs. 5,6	1,10
E	US 2009-227224 A1 (AFTELAK et al.) 10 Sep. 2009 Abstract, Figs. 1,7,8	1,10

 Further documents are listed in the continuation of Box C. See patent family annex.

\* Special categories of cited documents:

"A" document defining the general state of the art which is not considered to be of particular relevance

"E" earlier application or patent but published on or after the international filing date

"L" document which may throw doubts on priority claim(s) or which is cited to establish the publication date of citation or other special reason (as specified)

"O" document referring to an oral disclosure, use, exhibition or other means

"P" document published prior to the international filing date but later than the priority date claimed

"T" later document published after the international filing date or priority date and not in conflict with the application but cited to understand the principle or theory underlying the invention

"X" document of particular relevance; the claimed invention cannot be considered novel or cannot be considered to involve an inventive step when the document is taken alone

"Y" document of particular relevance; the claimed invention cannot be considered to involve an inventive step when the document is combined with one or more other such documents, such combination being obvious to a person skilled in the art

"&amp;" document member of the same patent family

Date of the actual completion of the international search

28 OCTOBER 2009 (28.10.2009)

Date of mailing of the international search report

**28 OCTOBER 2009 (28.10.2009)**

Name and mailing address of the ISA/KR

Korean Intellectual Property Office  
Government Complex-Daejeon, 139 Seonsa-ro, Seo-gu,  
Daejeon 302-701, Republic of Korea

Facsimile No. 82-42-472-7140

Authorized officer

LEE, Jin Ick

Telephone No. 82-42-481-5770



**INTERNATIONAL SEARCH REPORT**

Information on patent family members

International application No.

**PCT/KR2009/001356**

Patent document cited in search report	Publication date	Patent family member(s)	Publication date
WO 2007-028914 A1	15.03.2007	CN 101238739 A	06.08.2008
		EP 1753251 A1	14.02.2007
		JP 2009-505465 A	05.02.2009
		KR 10-2008-0033293 A	16.04.2008
US 2003-0193394 A1	16.10.2003	AU 1999-62850 A1	30.09.1999
		CA 2376773 A1	21.12.2000
		EP 1192612 A1	03.04.2002
		EP 1192612 B1	09.05.2007
		EP 1746551 A2	24.01.2007
		EP 1746551 A3	25.04.2007
		EP 1746551 B1	11.03.2009
		EP 1746551 B8	29.04.2009
		EP 1192612 A4	29.09.2004
		EP 2065861 A1	03.06.2009
		US 06329904 B1	11.12.2001
		US 06617964 B1	09.09.2003
		US 06867688 B2	15.03.2005
		US 07339467 B2	04.03.2008
US 2005-0237183 A1	27.10.2005		
WO 2000-077755 A1	21.12.2000		
WO 2007-045564 A1	26.04.2007	CN 101352066 A	21.01.2009
		DE 102005050416 B3	19.04.2007
		EP 1941766 A1	09.07.2008
		JP 2009-513047 A	26.03.2009
US 2009-0170467 A1	02.07.2009	WO 2009-085876 A1	09.07.2009
US 2009-0227224 A1	10.09.2009	WO 2009-111410 A1	11.09.2009