



US0D1037473S

(12) **United States Design Patent**
Marshall et al.

(10) **Patent No.:** **US D1,037,473 S**

(45) **Date of Patent:** **** Jul. 30, 2024**

- (54) **HEATBALL SHAPED MASSAGER TIP**
- (71) Applicants: **Chris Marshall**, Ramona, CA (US);
Jerry Tu, Diamond Bar, CA (US)
- (72) Inventors: **Chris Marshall**, Ramona, CA (US);
Jerry Tu, Diamond Bar, CA (US)
- (**) Term: **15 Years**
- (21) Appl. No.: **29/859,878**

D927,717 S *	8/2021	Wersland	D24/215
D986,429 S *	5/2023	Wersland	D24/215
D987,095 S *	5/2023	Wersland	D24/215
D987,838 S *	5/2023	Wang	D24/215
D987,845 S *	5/2023	Vierheller	D24/211
D987,847 S *	5/2023	Wersland	D24/215
D988,530 S *	6/2023	Wersland	D24/215
D997,375 S *	8/2023	Wersland	D24/215
D1,013,885 S *	2/2024	Solana	D24/200
D1,019,974 S *	3/2024	Sanchez Solana	D24/215
D1,019,975 S *	3/2024	Sanchez Solana	D24/215

- (22) Filed: **Nov. 14, 2022**
- (51) **LOC (14) Cl.** **24-01**
- (52) **U.S. Cl.**
USPC **D24/215; D24/214**
- (58) **Field of Classification Search**
USPC D24/200, 209, 211, 212, 213, 214, 215;
D7/393; D8/307, 310, 378; D9/435, 439
CPC A61H 7/007; A61H 2205/02; A61H 7/006;
A61H 39/04; A61H 23/006; A61H 39/08;
A61H 2015/0071; A61H 2015/0042
See application file for complete search history.

OTHER PUBLICATIONS

Wellbody, "HeatBall", Access Date: Apr. 9, 2024. <https://wellbody.com/products/heatball> (Year: 2024).*

Amazon, "Heated Massage Gun_Heatball", Date First Available: Aug. 16, 2022. <https://www.amazon.com/Wellbody-Heatball-Technology-Handheld-Powertrain/dp/B0B9T34J17?th=1> (Year: 2022).*

Youtube, "Wellbody HeatBall", Published Date: Apr. 12, 2023. <https://www.youtube.com/watch?v=9GWy7vNOSws> (Year: 2023).*

* cited by examiner

Primary Examiner — Michael A Maharajh

(56) **References Cited**

U.S. PATENT DOCUMENTS

D378,539 S *	3/1997	Scott	D24/211
D403,076 S *	12/1998	York	D24/214
D469,880 S *	2/2003	York	D24/214
D827,146 S *	8/2018	Faussett	D24/211
D849,260 S *	5/2019	Wersland	D24/211
D850,639 S *	6/2019	Wersland	D24/211
D850,640 S *	6/2019	Wersland	D24/211
D859,680 S *	9/2019	Wersland	D24/211
D890,942 S *	7/2020	Wersland	D24/211
D890,943 S *	7/2020	Wersland	D24/211
D896,393 S *	9/2020	Wersland	D24/211
D914,229 S *	3/2021	Takeuchi	D24/215
D918,404 S *	5/2021	Wersland	D24/211
D918,405 S *	5/2021	Wersland	D24/211
D927,716 S *	8/2021	Wersland	D24/215

(57) **CLAIM**

The ornamental design for a heatball shaped massager tip, as shown and described.

DESCRIPTION

FIG. 1 is a perspective view of illustrating my new design for a heatball shaped massager tip;

FIG. 2 is a front view thereof;

FIG. 3 is a rear view thereof;

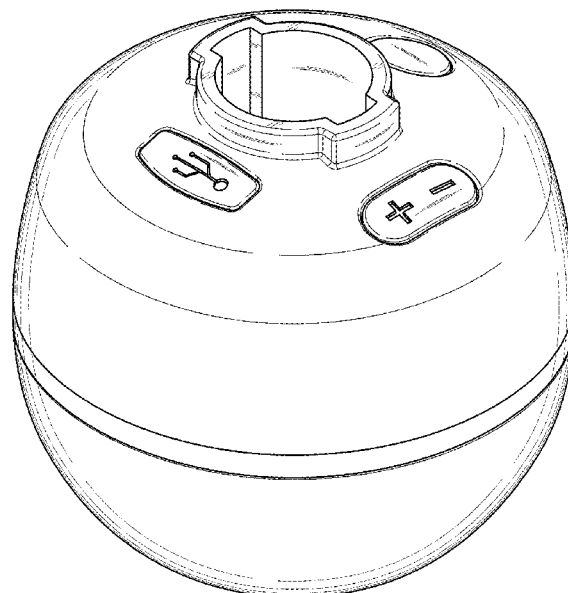
FIG. 4 is a left side view thereof;

FIG. 5 is a right side view thereof;

FIG. 6 is a top view thereof; and,

FIG. 7 is a bottom view thereof.

1 Claim, 7 Drawing Sheets



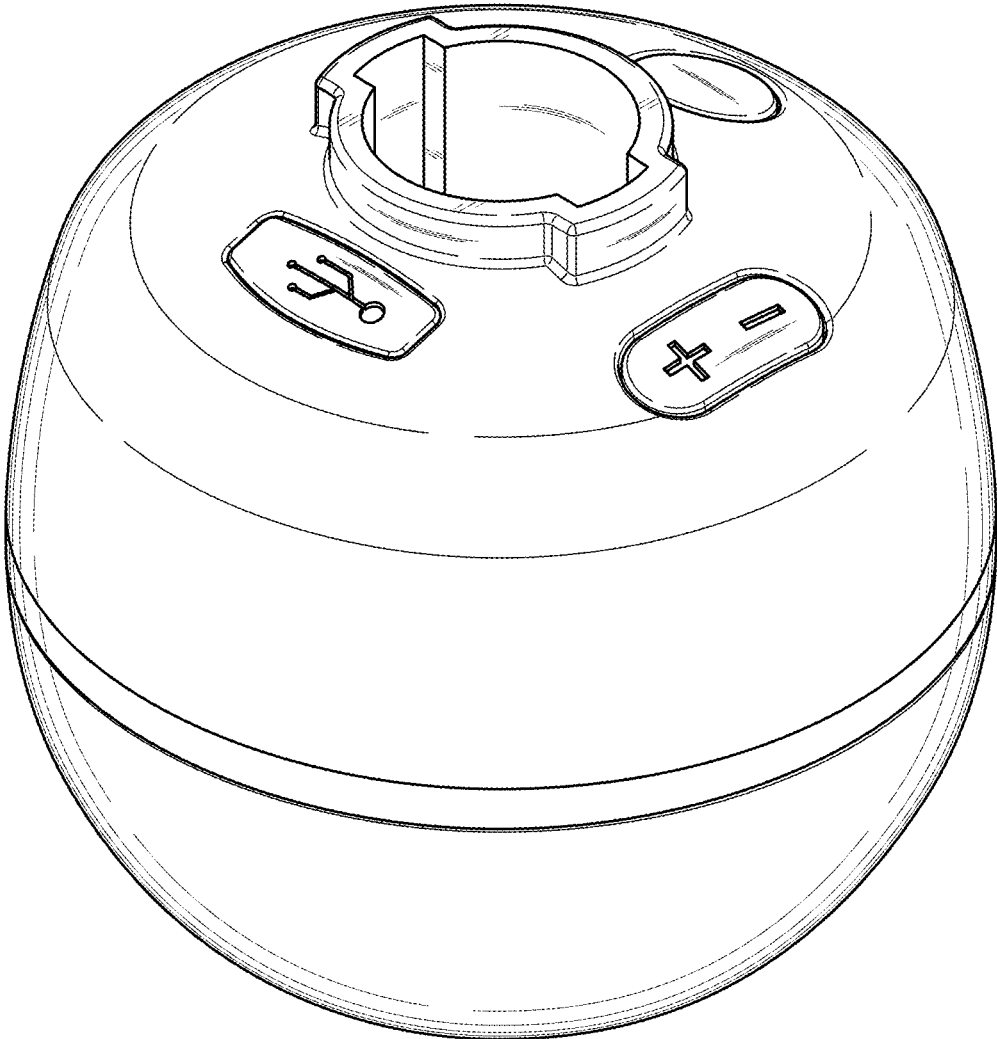


FIG. 1

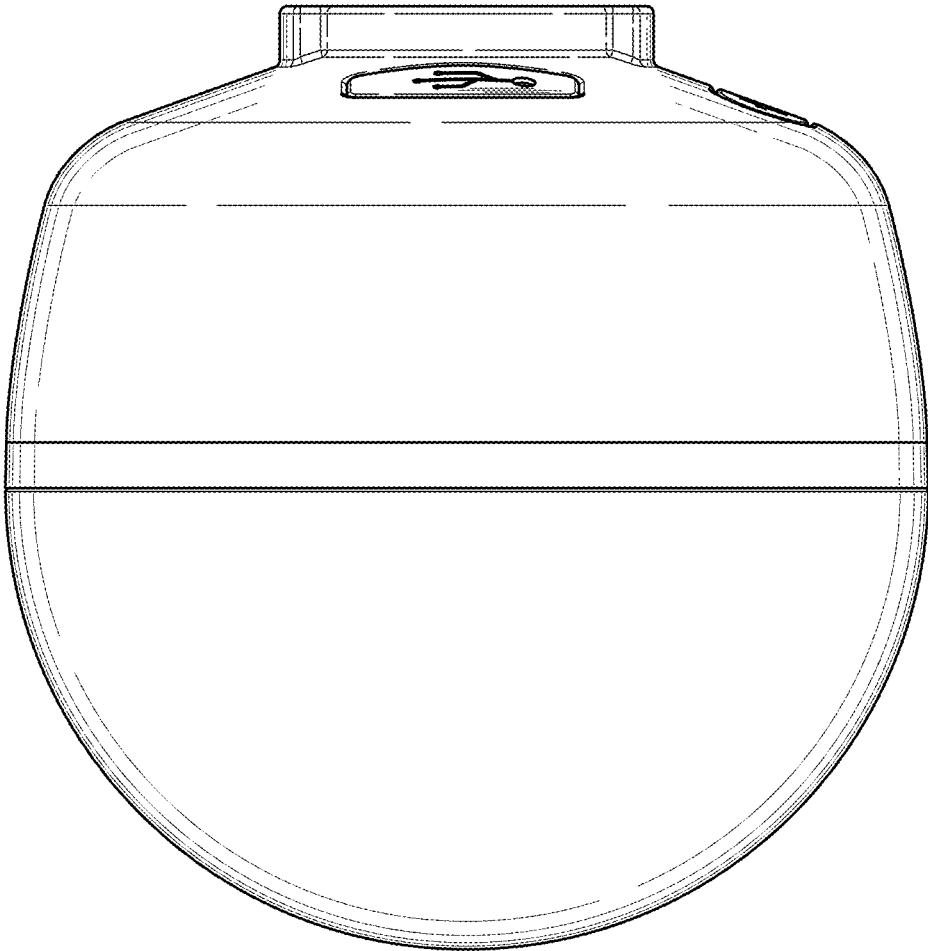


FIG. 2

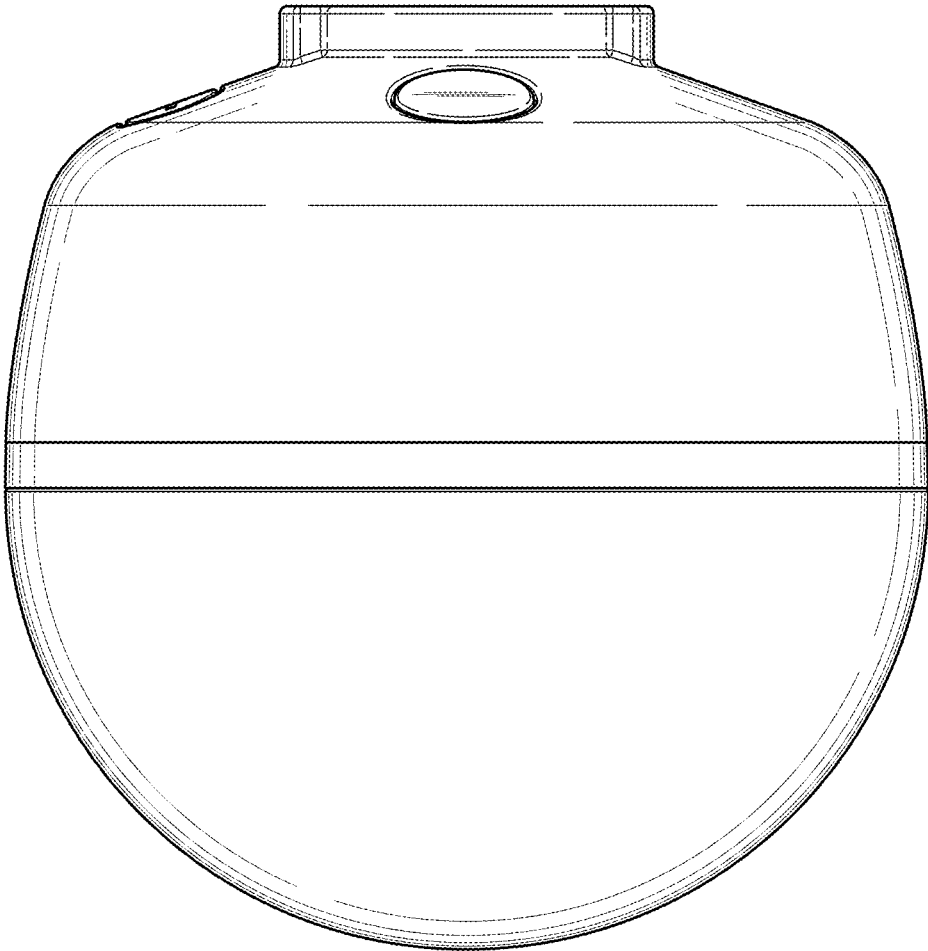


FIG. 3

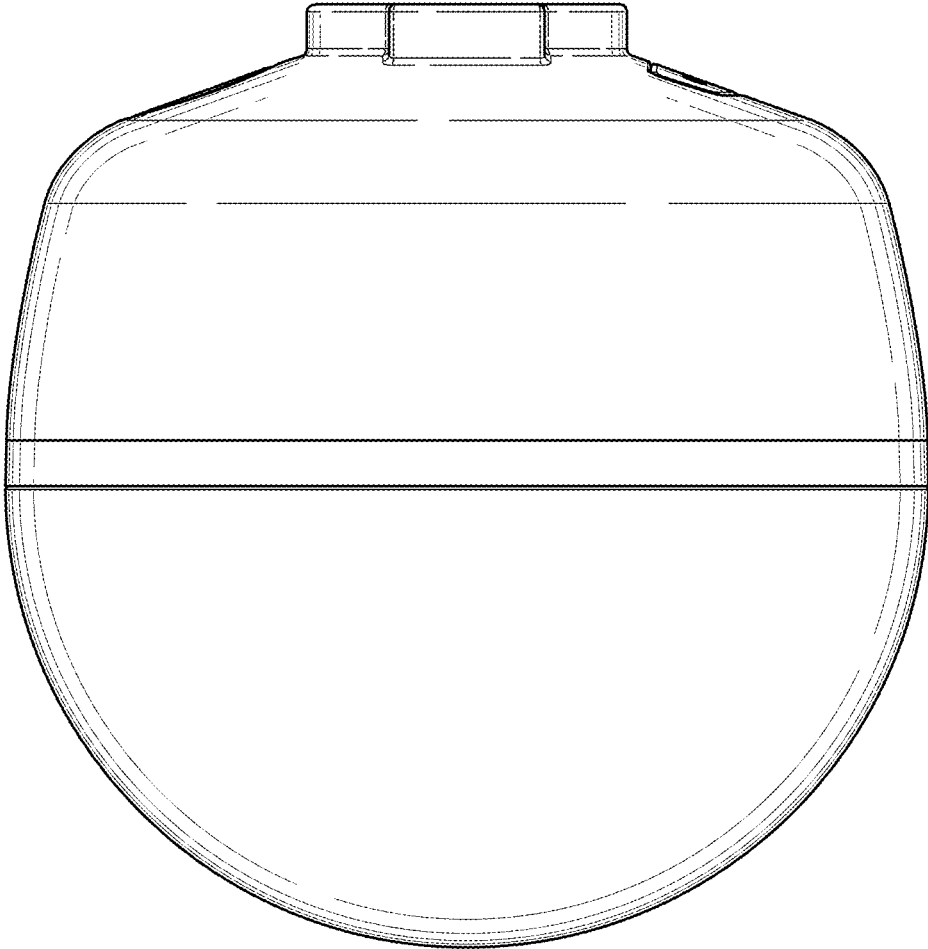


FIG. 4

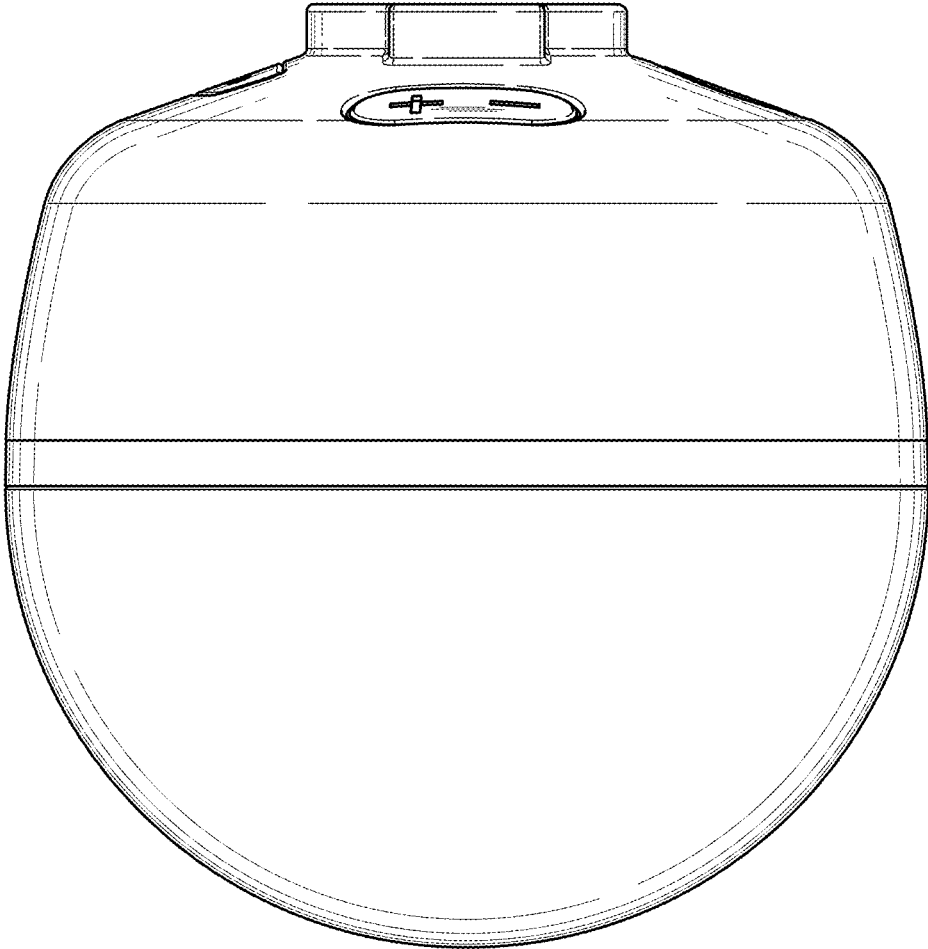


FIG. 5

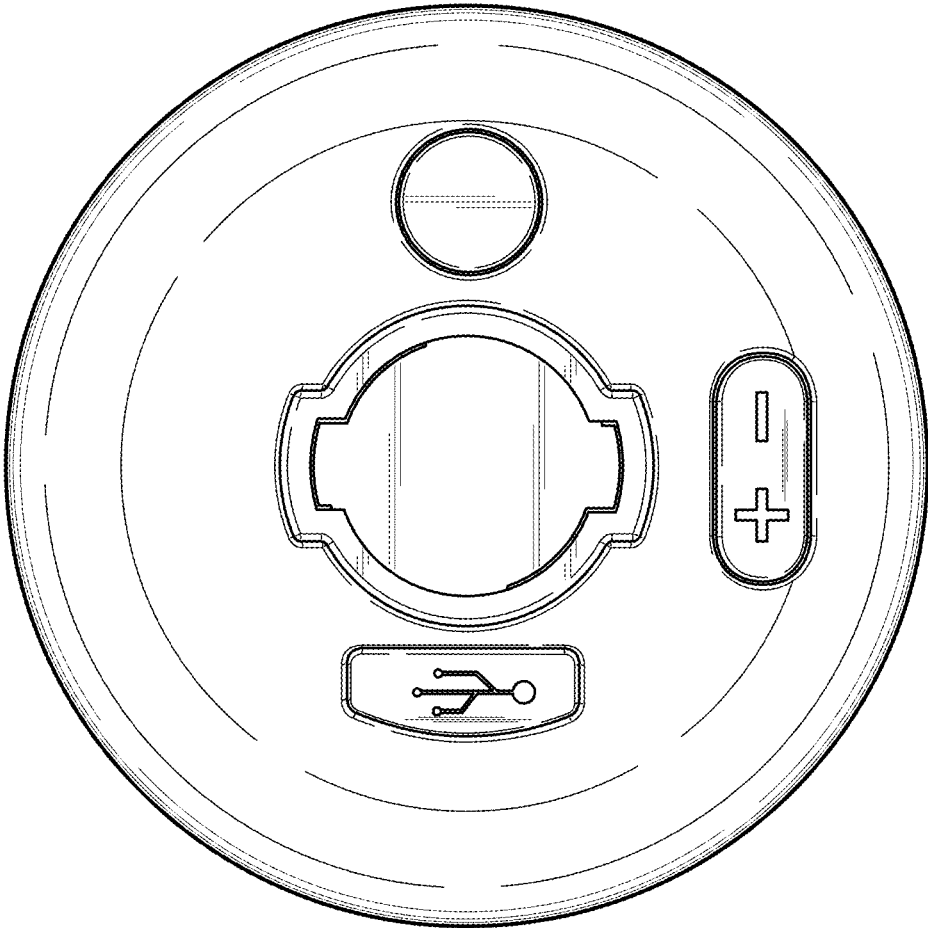


FIG. 6

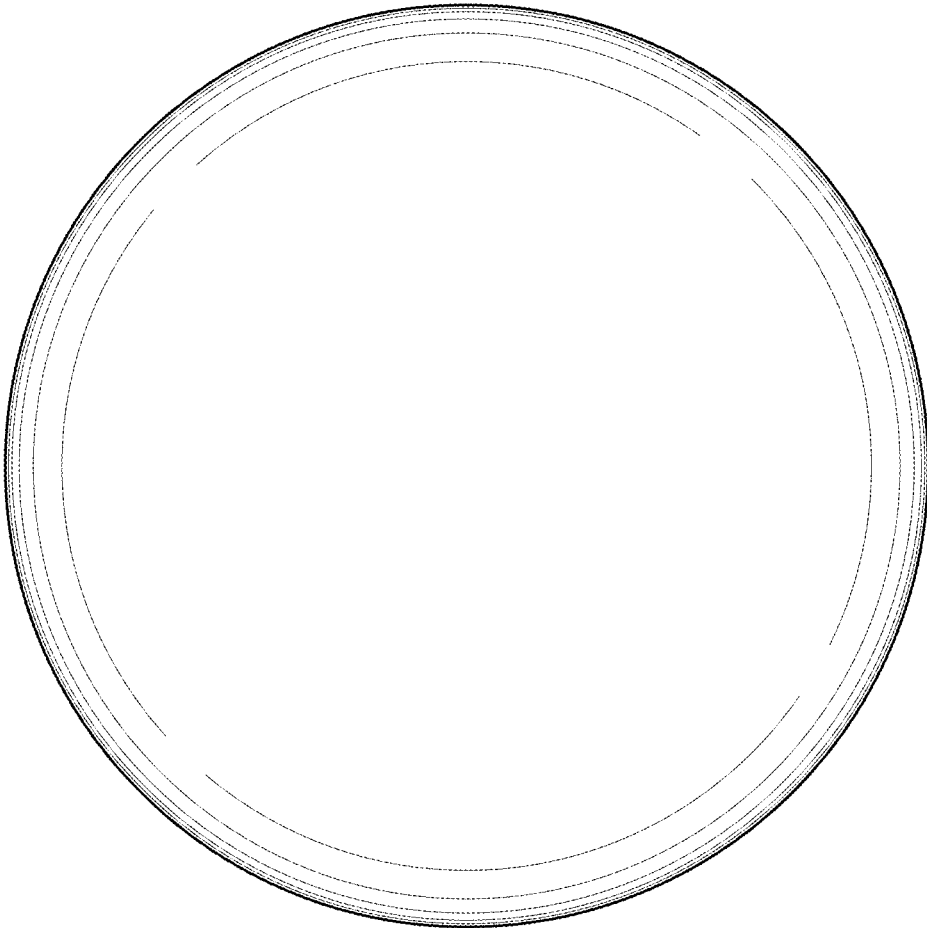


FIG. 7