



US00D89925S

(12) **United States Design Patent**
Laible

(10) **Patent No.:** **US D899,925 S**

(45) **Date of Patent:** **** Oct. 27, 2020**

- (54) **DUAL DRAW CAP ADAPTER**
- (71) Applicant: **Rodney Laible**, Omaha, NE (US)
- (72) Inventor: **Rodney Laible**, Omaha, NE (US)
- (**) Term: **15 Years**
- (21) Appl. No.: **29/711,532**
- (22) Filed: **Oct. 31, 2019**
- (51) **LOC (12) Cl.** **09-07**
- (52) **U.S. Cl.**
USPC **D9/436**
- (58) **Field of Classification Search**
USPC D7/312, 313, 318, 387, 391, 392, 392.1,
D7/396.1, 396.2, 397, 398, 401.1, 900;
D9/434, 435, 436, 439, 440; D13/120,
D13/133, 134, 146, 151, 155, 156;
D23/206, 208, 209, 213, 249, 255, 259,
D23/260, 303, 386, 387; D24/100, 107,
D24/108, 111, 112, 127, 162, 216, 224,
D24/232
CPC B67D 3/00; B67D 7/02; B67D 7/0478;
B67D 7/0294; B65D 47/32; B65D
47/283; B65D 5/01; B65D 5/02
See application file for complete search history.

- 6,509,525 B2 * 1/2003 Honkomp H01B 17/303
174/152 GM
 - 6,669,062 B1 * 12/2003 Laible B67D 7/0294
141/244
 - D537,414 S * 2/2007 Saito D13/146
 - D587,999 S * 3/2009 Schulthess D9/434
 - D591,152 S * 4/2009 Hatalla D9/447
- (Continued)

OTHER PUBLICATIONS

Thermo Scientific Nalgene Ported Biotainer Bottle and Carboy Closure: Announced [Oct. 4, 2015, Online]. Site Visited [Feb. 28, 2020]. Available from Internet URL: <https://www.fishersci.com/shop/products/nalgene-ported-biotainer-bottle-carboy-closures/p-6120633>.*

(Continued)

Primary Examiner — Catherine S Posthauer
(74) *Attorney, Agent, or Firm* — Dennis L. Thomte;
Thomte Patent Law Office LLC

(57) **CLAIM**

The ornamental design for a dual draw cap adapter, as shown and described.

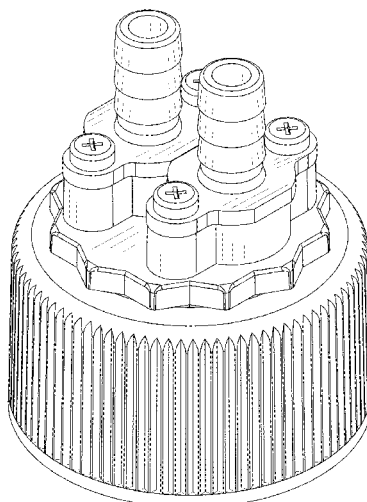
DESCRIPTION

FIG. 1 is a top perspective view of a dual draw cap adapter, showing my new design;
FIG. 2 is a top view thereof;
FIG. 3 is a first side view thereof;
FIG. 4 is a second side view thereof;
FIG. 5 is a third side view thereof;
FIG. 6 is a fourth side view thereof; and,
FIG. 7 is a bottom plan view thereof.
The evenly broken lines are shown for the purpose of illustrating parts of the article that form no part of the claim. The dot-dash lines represent the boundaries of the claim and form no part thereof.

1 Claim, 7 Drawing Sheets

(56) **References Cited**
U.S. PATENT DOCUMENTS

- D352,770 S * 11/1994 Lopez D23/259
- D353,443 S * 12/1994 Lopez D23/259
- 5,493,073 A * 2/1996 Honkomp H01B 17/305
174/152 GM
- D373,928 S * 9/1996 Green D7/392.1
- D429,948 S * 8/2000 Tate D7/392.1
- 6,107,566 A * 8/2000 Quadir H01B 17/303
174/50.52
- D433,275 S * 11/2000 Betras D7/392.1
- 6,142,345 A * 11/2000 Laible B67D 7/0277
222/189.1
- 6,273,754 B1 * 8/2001 Bunch H01R 13/405
439/587
- D448,974 S * 10/2001 Hydak D7/387



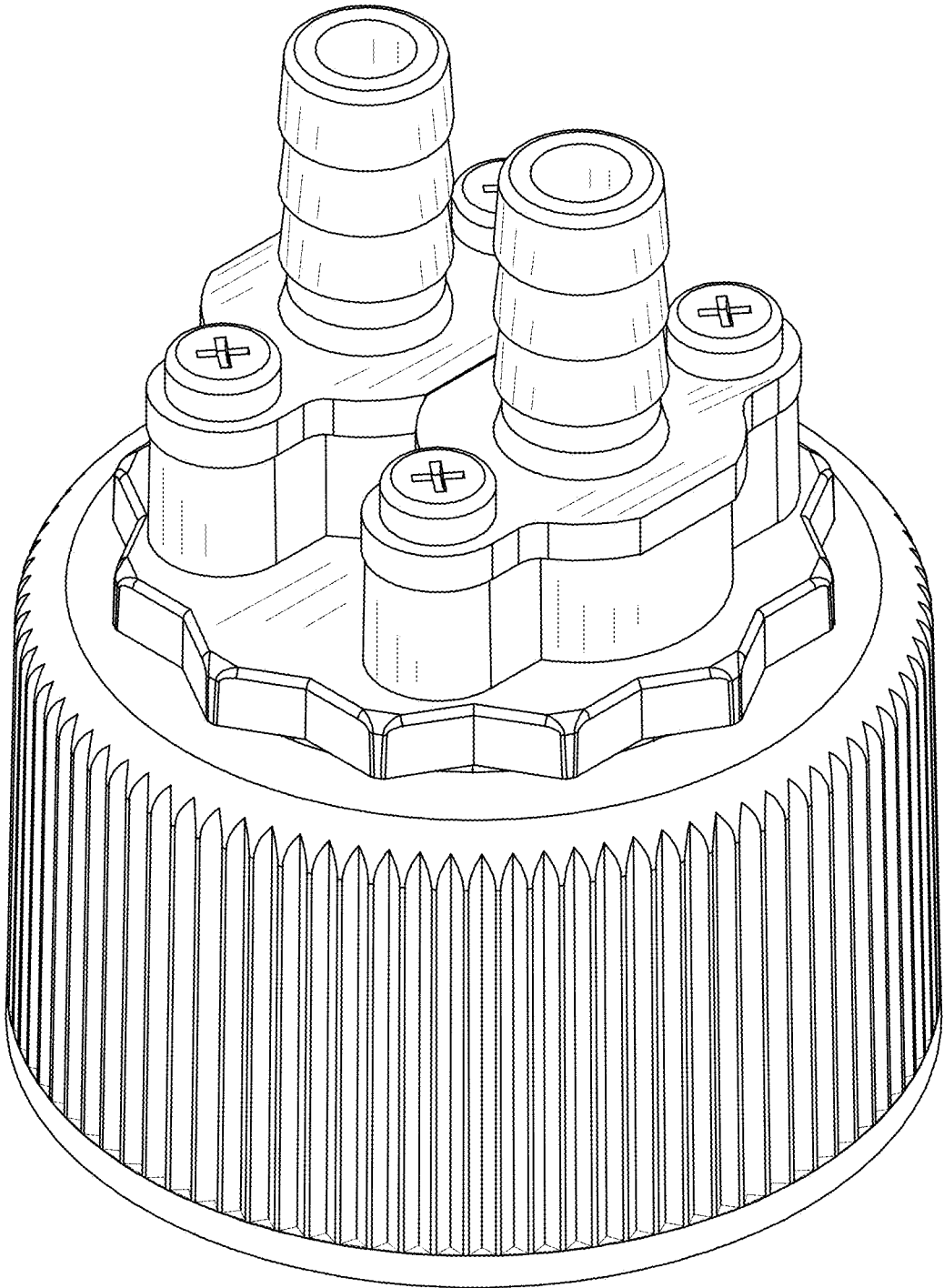


FIG. 1

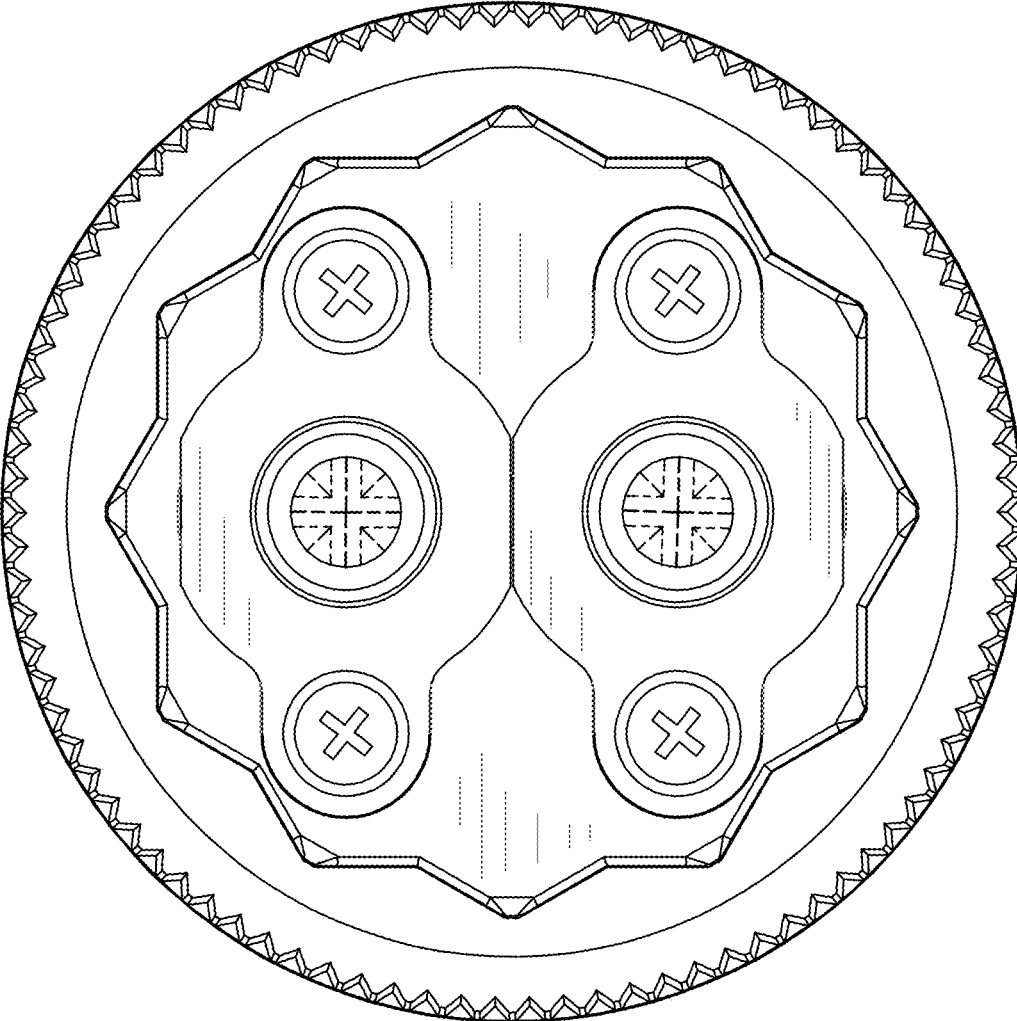


FIG. 2

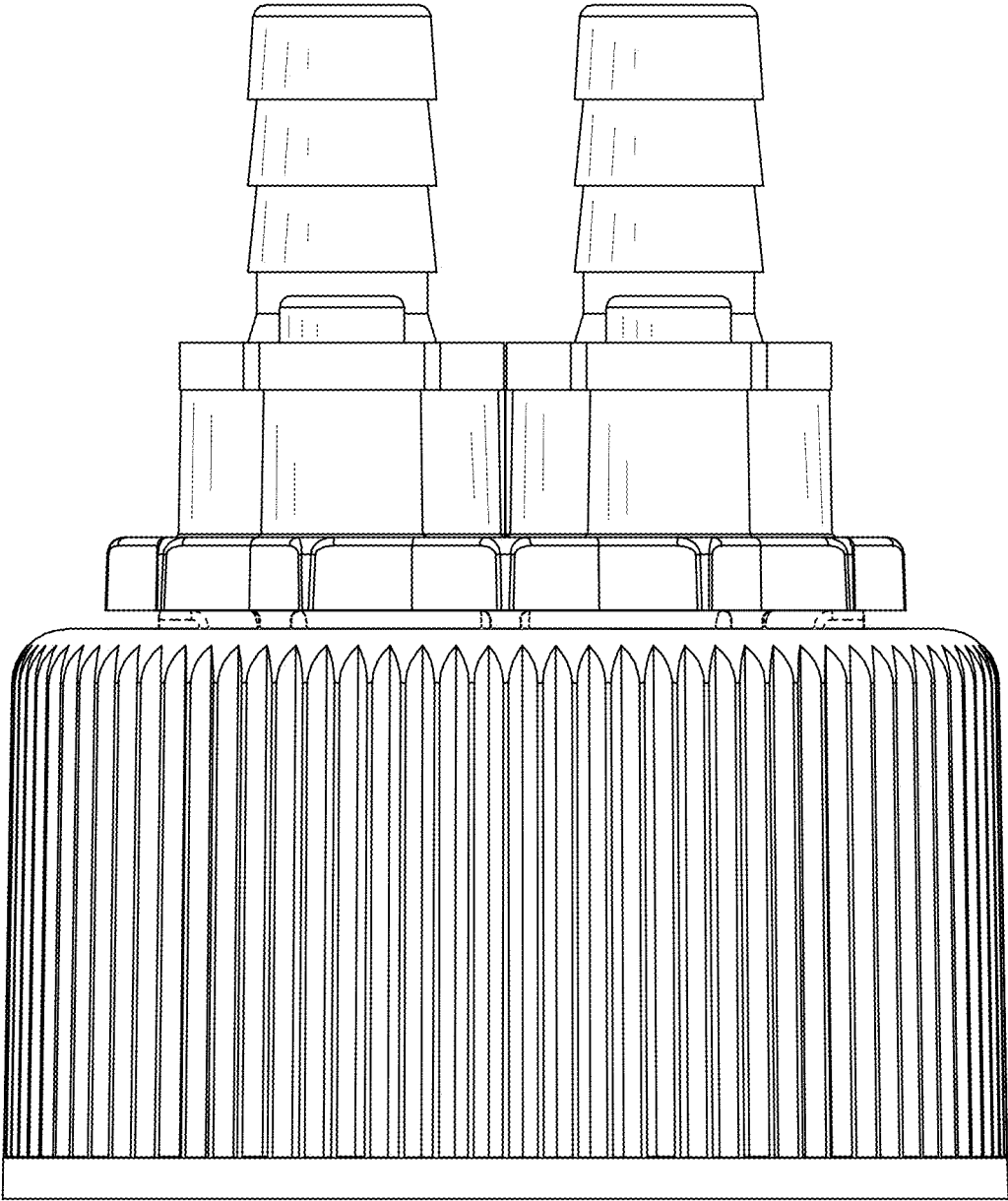


FIG. 3

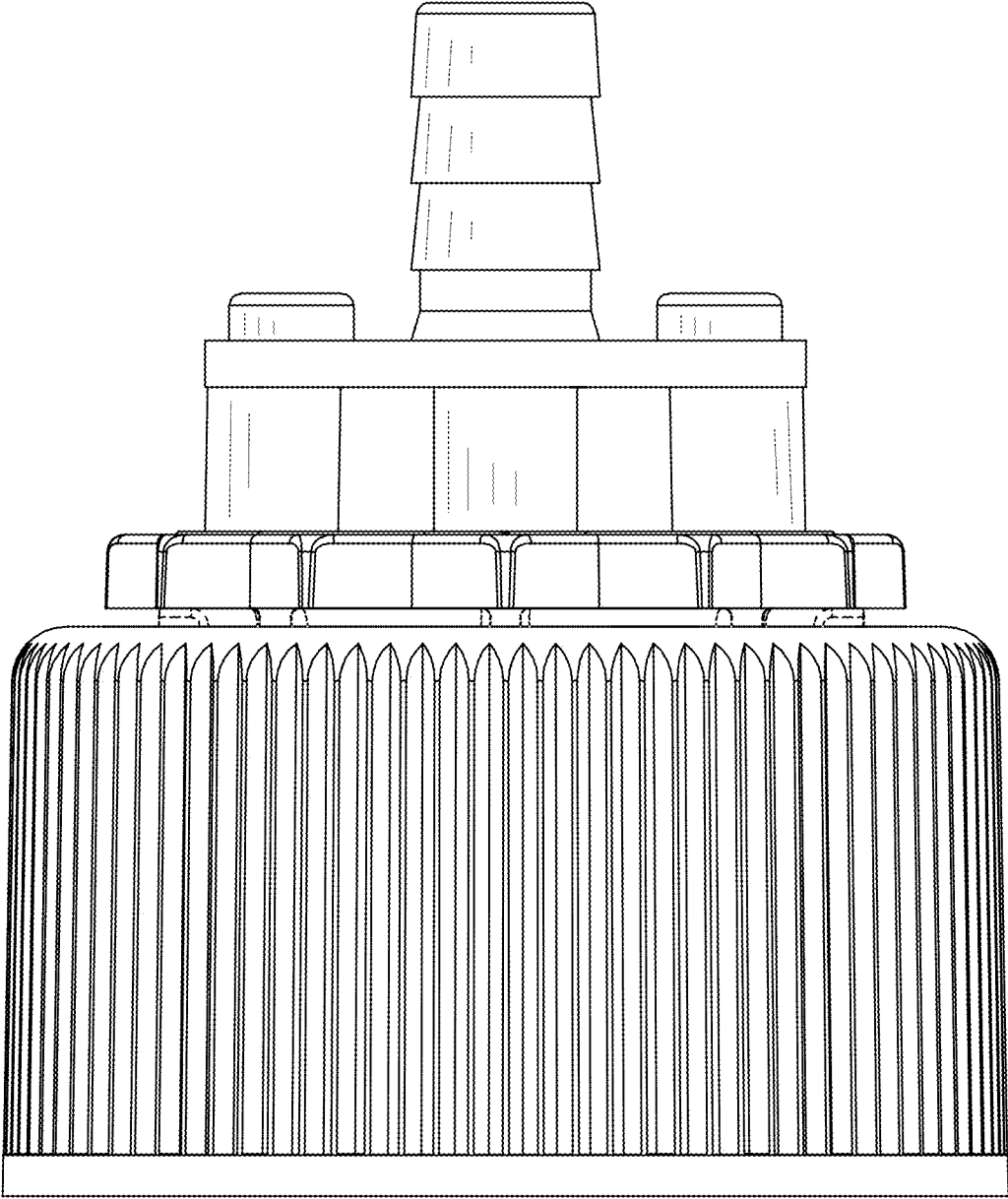


FIG. 4

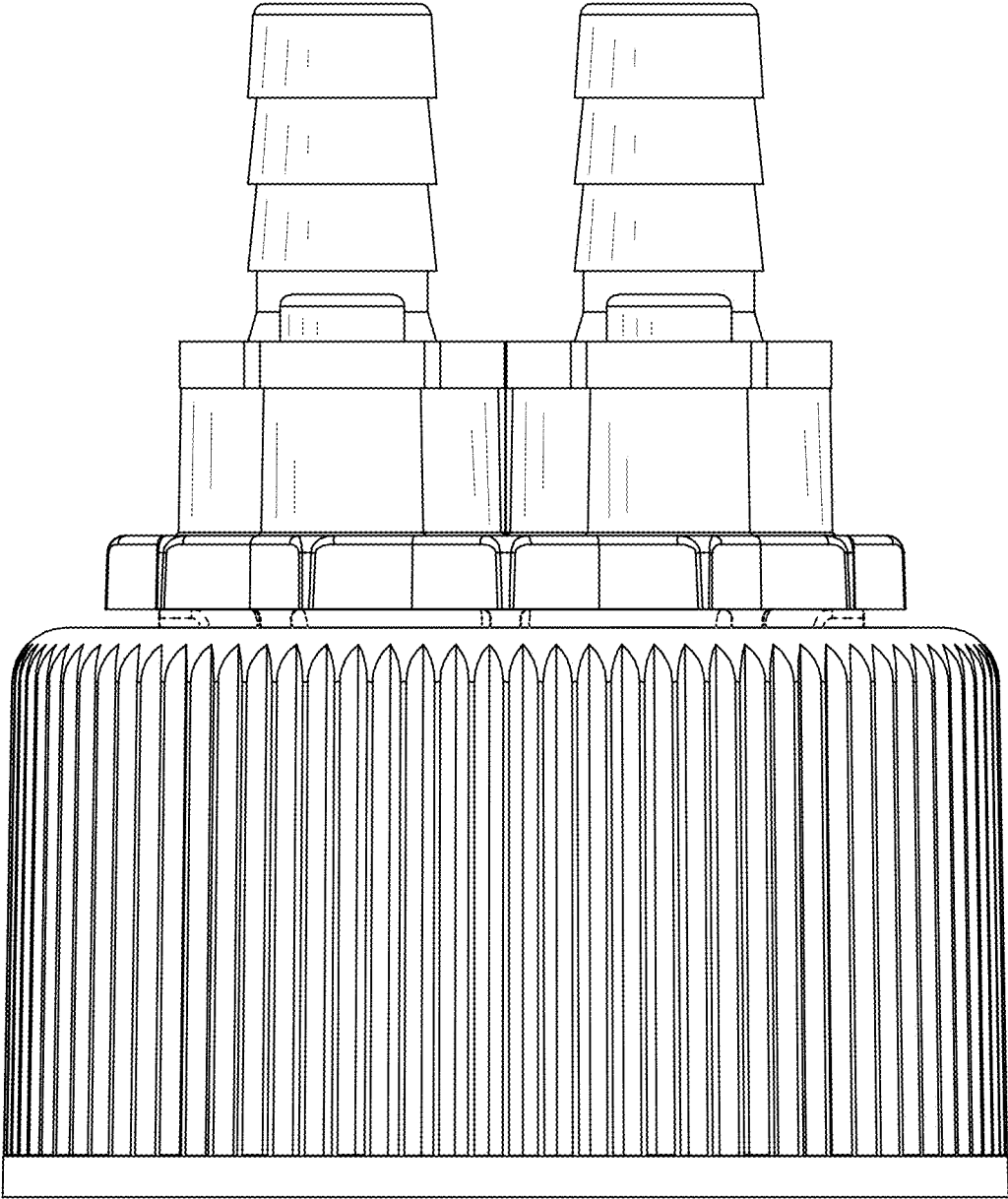


FIG. 5

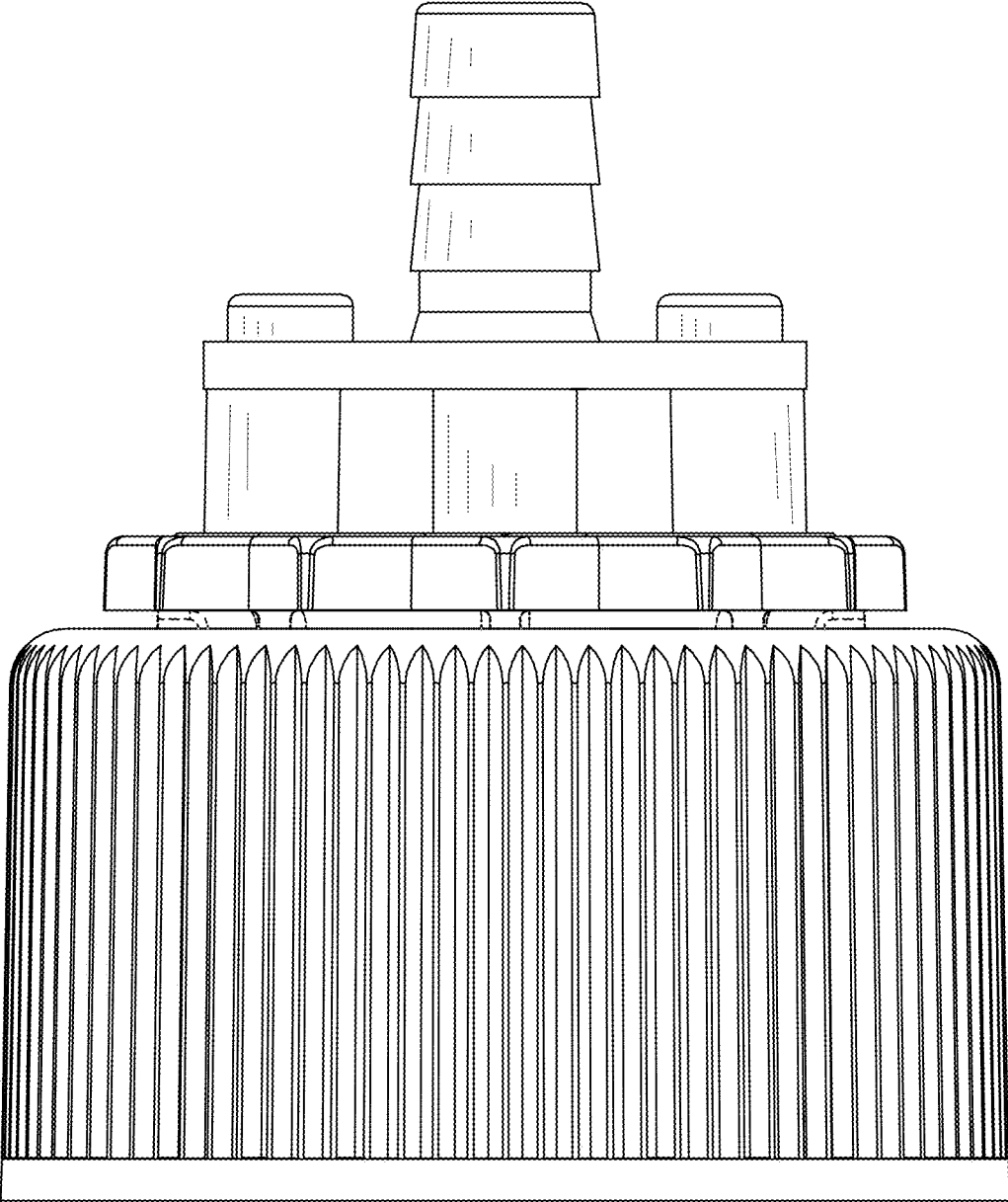


FIG. 6

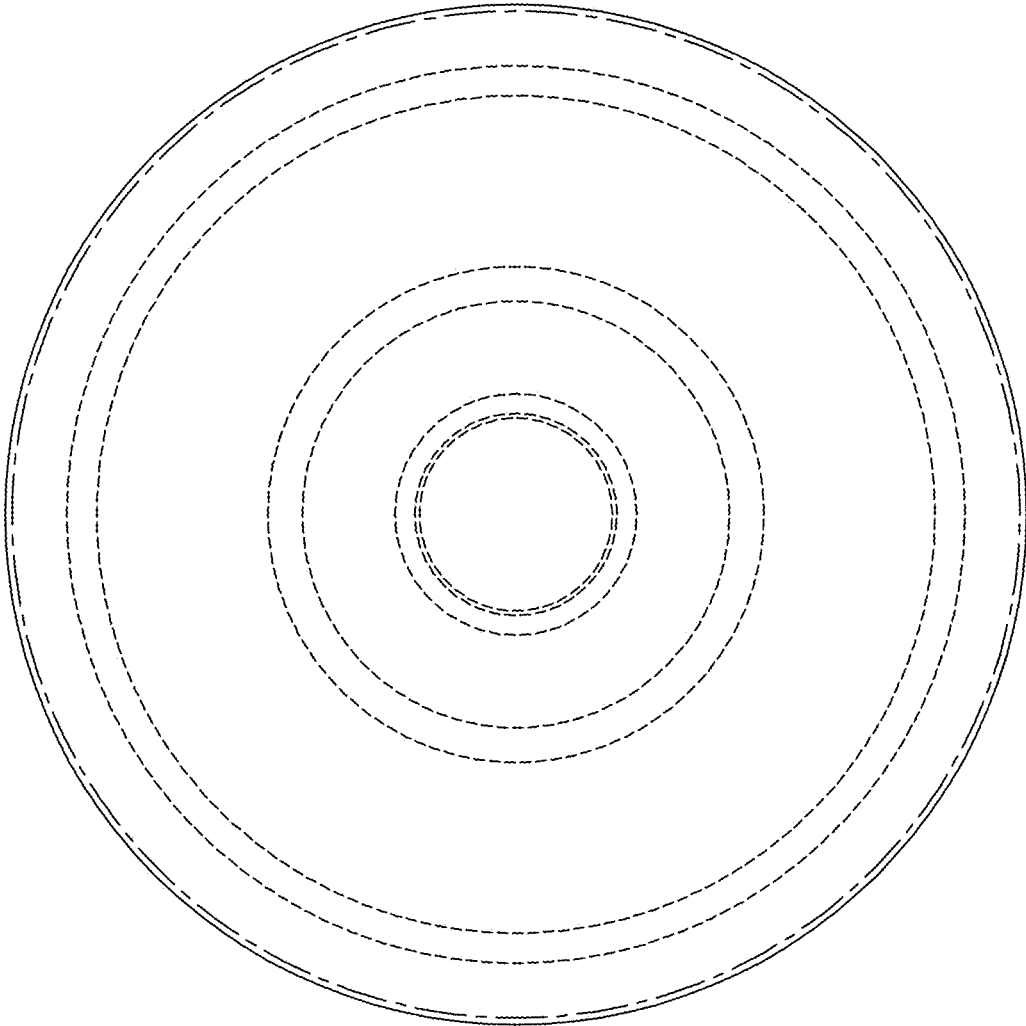


FIG. 7