



US00D941886S

(12) **United States Design Patent**
Dumitru

(10) **Patent No.:** **US D941,886 S**

(45) **Date of Patent:** **** Jan. 25, 2022**

(54) **SLIDER**
(71) Applicant: **CATERPILLAR INC.**, Peoria, IL (US)
(72) Inventor: **Mircea Dumitru**, Washington, IL (US)
(73) Assignee: **Caterpillar Inc.**, Peoria, IL (US)
(**) Term: **15 Years**

2014/0265548 A1* 9/2014 Vitas B62D 55/0847
305/124
2015/0130268 A1* 5/2015 Scheuerman B62D 55/15
305/116
2016/0251058 A1 9/2016 Beavis
2017/0361883 A1 12/2017 Scheuerman et al.
(Continued)

(21) Appl. No.: **29/714,104**
(22) Filed: **Nov. 21, 2019**

FOREIGN PATENT DOCUMENTS

CL 2019000550 A1 7/2019
EP 2489579 A1 8/2012
(Continued)

(51) **LOC (13) Cl.** **15-03**
(52) **U.S. Cl.**
USPC **D15/28**
(58) **Field of Classification Search**
USPC D15/10–33
CPC B62D 55/08; B62D 55/00; B62D 55/084;
B62D 55/0847; B62D 55/10; B62D
55/26; B62D 55/092; B62D 55/15; B62D
55/202
See application file for complete search history.

OTHER PUBLICATIONS

Office Action and Substantive Report, dated Mar. 17, 2021, issued in Chilean Patent Application No. CL 2020001305 (13 pages).

Primary Examiner — Mark A Goodwin
(74) *Attorney, Agent, or Firm* — Finnegan, Henderson, Farabow, Garrett & Dunner, LLP

(56) **References Cited**

(57) **CLAIM**

The ornamental design for a slider, as shown and described.

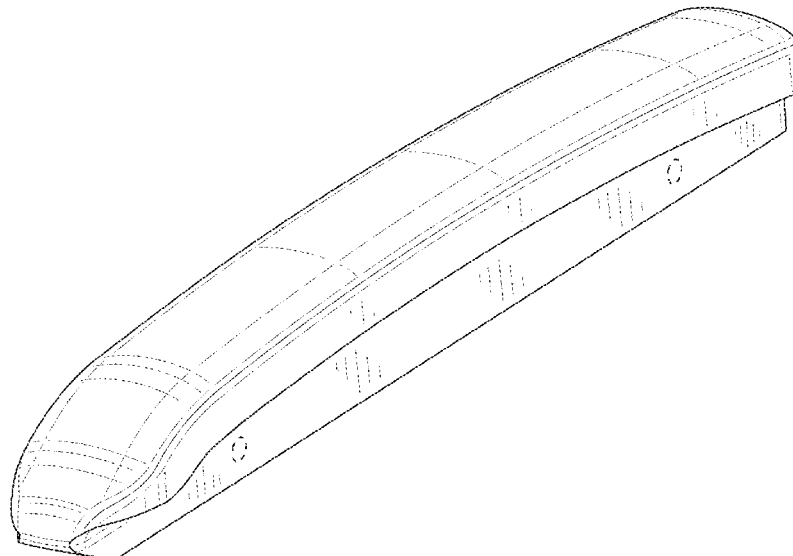
U.S. PATENT DOCUMENTS

DESCRIPTION

3,887,243	A	6/1975	Chaumont	
5,096,270	A *	3/1992	Oilund	B62D 55/0845 180/6.7
5,571,275	A	11/1996	Cyr	
5,941,326	A	8/1999	Fleuchaus	
6,155,656	A	12/2000	Gulla	
9,199,694	B2	12/2015	Handfield	
9,333,998	B2 *	5/2016	Thorson	B62D 55/211
9,352,793	B2 *	5/2016	Vitas	B62D 55/0847
D763,931	S *	8/2016	Colwell	D15/28
9,776,676	B2 *	10/2017	Scheuerman	B62D 55/26
9,988,110	B2 *	6/2018	Scheuerman	B62D 55/26
10,328,981	B2	6/2019	Sibilleau	
10,543,876	B2 *	1/2020	Dumitru	B62D 55/0845
10,562,574	B2 *	2/2020	Dumitru	B62D 55/084
2009/0008990	A1	1/2009	Sibilleau	

FIG. 1 is a front, top, right perspective view of a slider showing the new design;
FIG. 2 is a rear, bottom, left perspective view thereof;
FIG. 3 is front, bottom, left perspective view thereof;
FIG. 4 is a right-side elevation view thereof;
FIG. 5 is a left-side elevation view thereof;
FIG. 6 is a rear elevation view thereof;
FIG. 7 is front elevation view thereof;
FIG. 8 is a top plan view thereof; and,
FIG. 9 is a bottom plan view thereof.
The broken lines of even length shown in the drawings illustrate portions of the slider that form no part of the claimed design.

1 Claim, 8 Drawing Sheets



(56)

References Cited

U.S. PATENT DOCUMENTS

2018/0065691 A1 3/2018 Dumitru
2018/0170463 A1* 6/2018 Dumitru B62D 55/0845

FOREIGN PATENT DOCUMENTS

EP 2511163 A1 10/2012
JP 2007-099159 A 4/2007
JP 4054595 B2 2/2008
JP 2010-264834 A 11/2010
JP 4724020 B2 7/2011
JP 2017-047769 A 3/2017
JP 2018-100081 A 6/2018

* cited by examiner

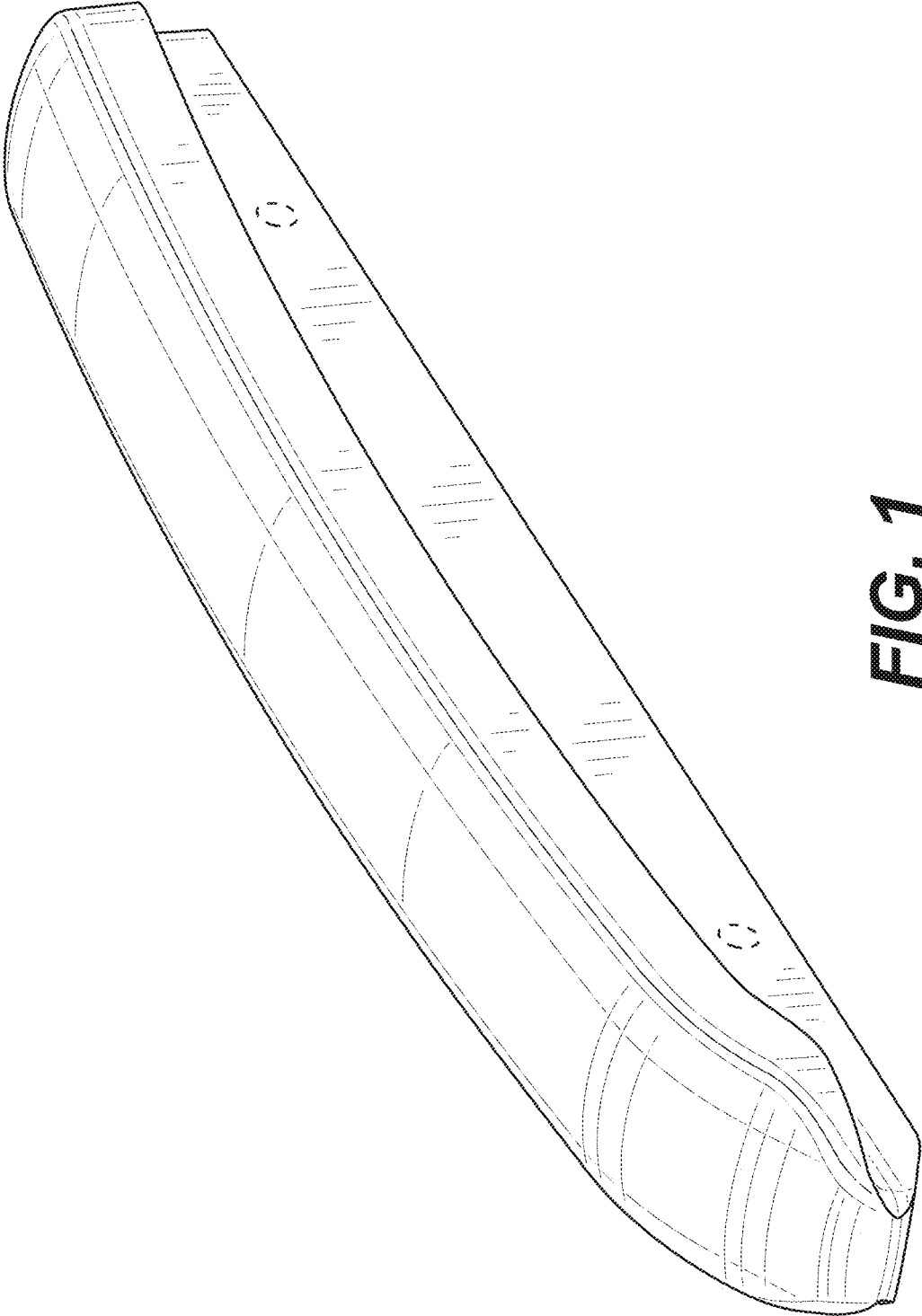


FIG. 1

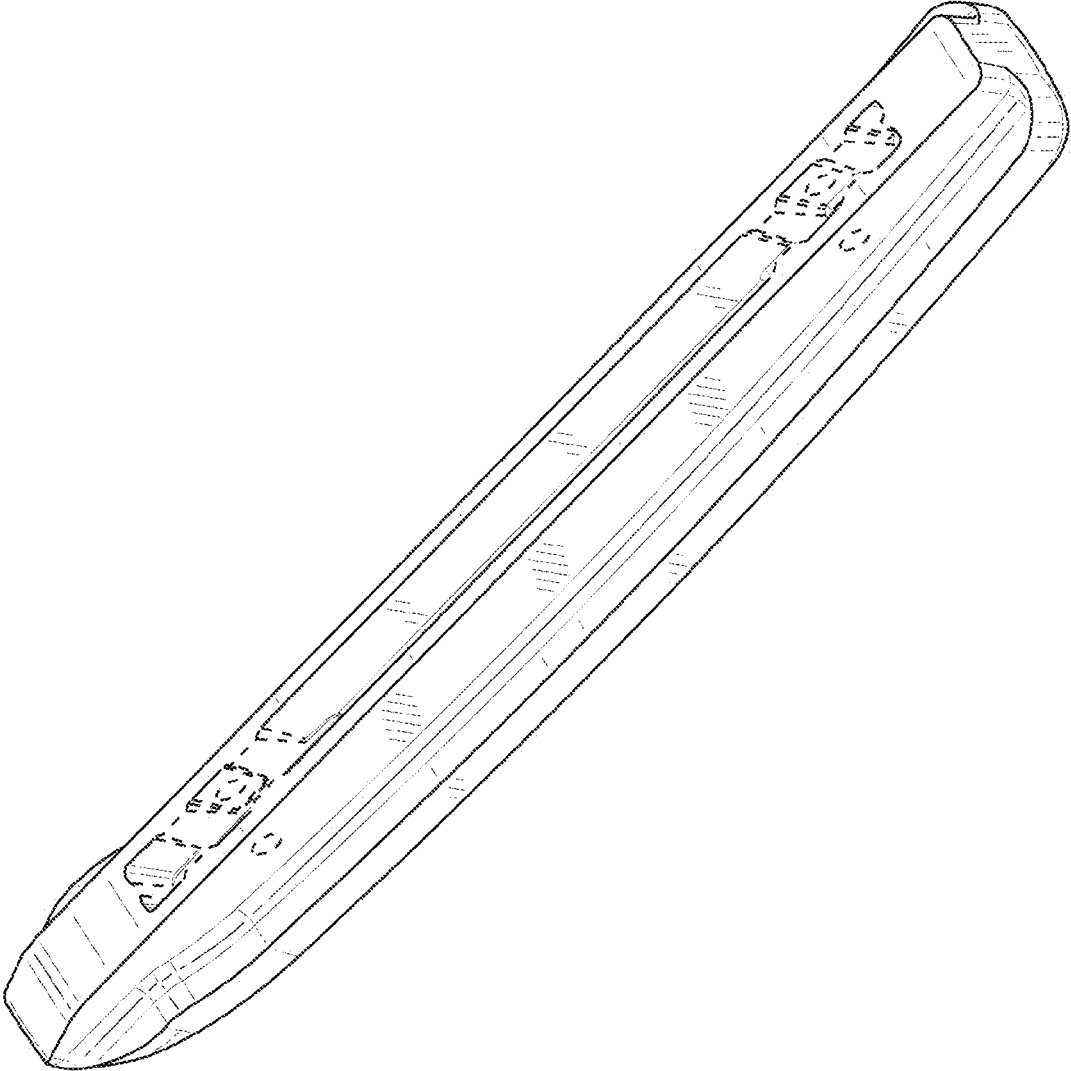


FIG. 2

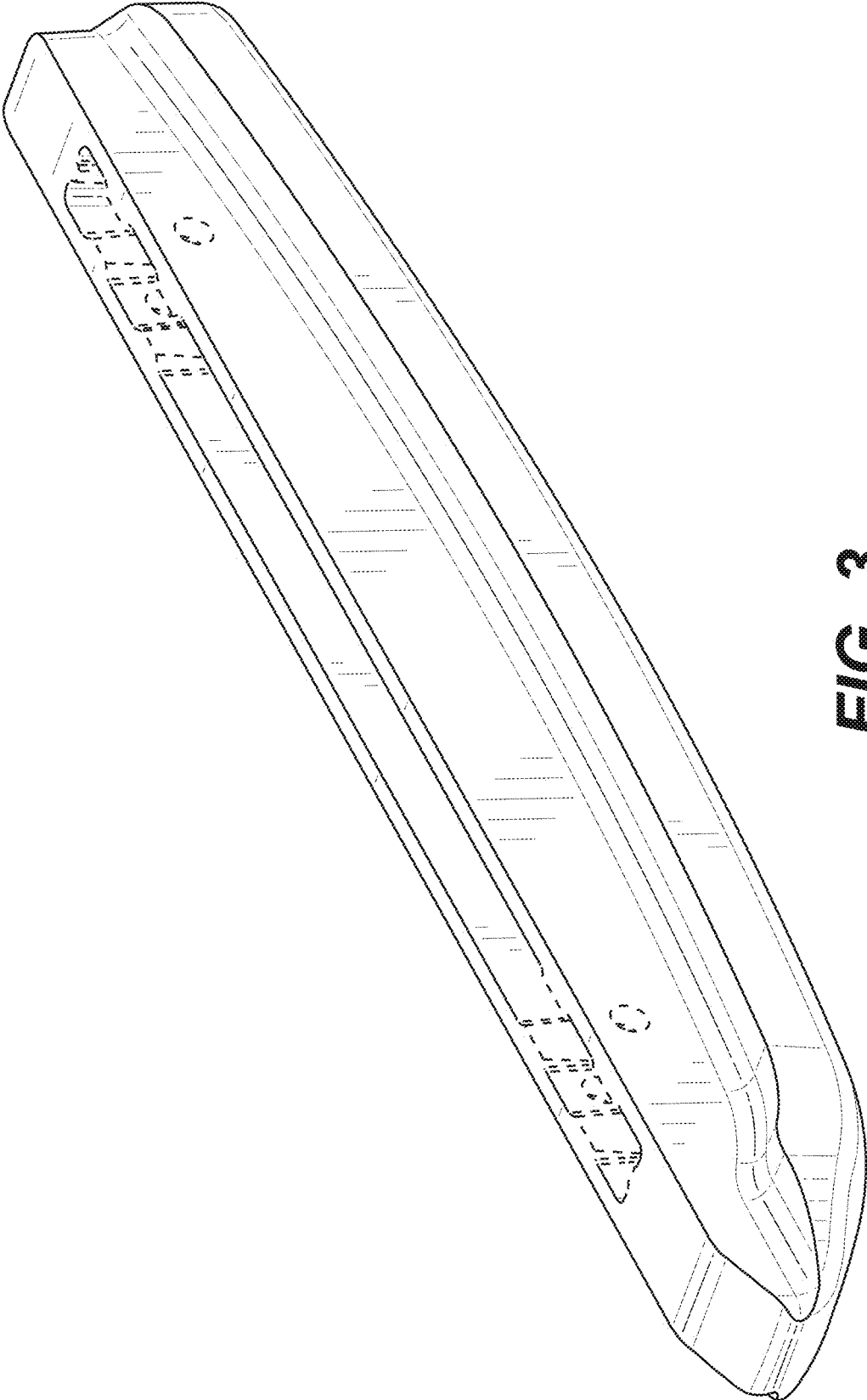


FIG. 3

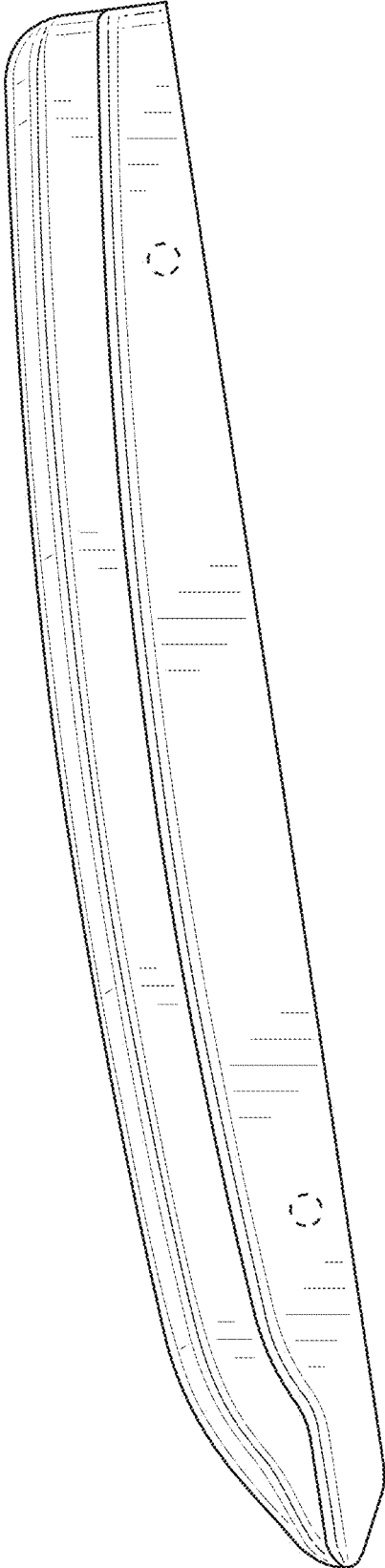


FIG. 4

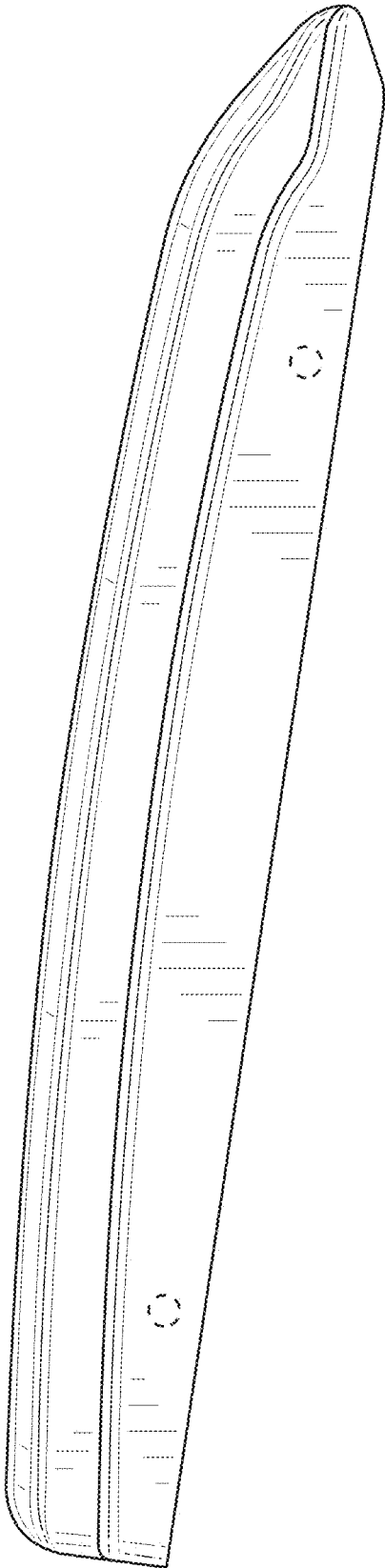


FIG. 5

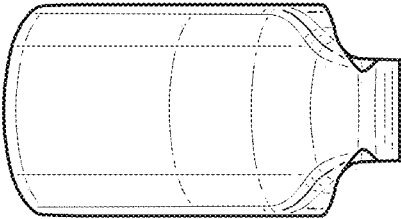


FIG. 7

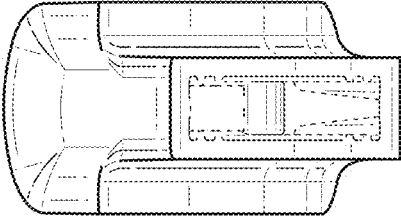


FIG. 6

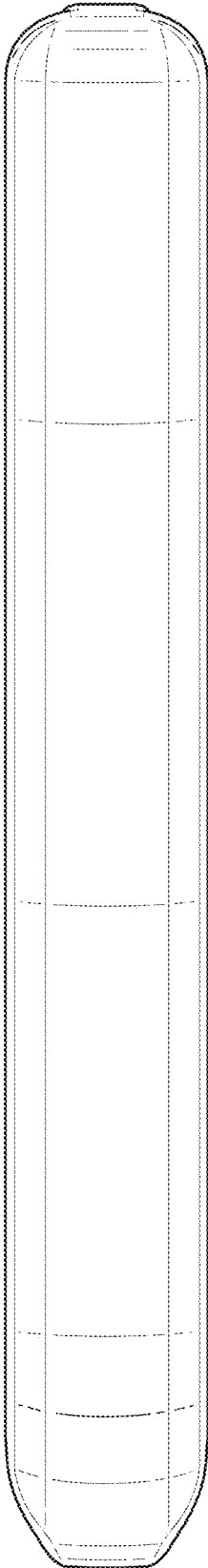


FIG. 8

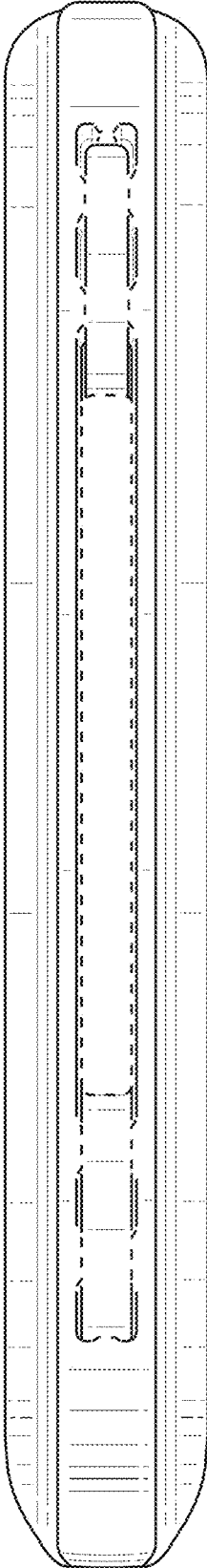


FIG. 9