

(43) Date of A Publication 21.02.2001

(21) Application No 0009797.2

(22) Date of Filing 25.04.2000

(30) Priority Data

(31) 9919186.8 (32) 14.08.1999 (33) GB

(71) Applicant(s)

Mark John Haskins
255 Lidgett Lane, LEEDS, LS17 6PP, United Kingdom

(72) Inventor(s)

Mark John Haskins

(74) Agent and/or Address for Service

Mark John Haskins
255 Lidgett Lane, LEEDS, LS17 6PP, United Kingdom

(51) INT CL⁷

A47D 5/00 , A61F 5/37

(52) UK CL (Edition S)

A3V V43
U1S S1122

(56) Documents Cited

JP 090108254 A US 5718011 A US 5309926 A
US 5161270 A US 4205669 A US 4136859 A

(58) Field of Search

UK CL (Edition R) A3V
INT CL⁷ A47D 5/00 13/00 13/08 15/00 , A47G 25/90 ,
A61F 5/37 , A61G 13/00
Online: EPODOC, JAPIO, WPI

(54) Abstract Title

Device to aid nappy changing

(57) A device to aid nappy changing consisting of three parts the main two sections of which 1 lie one over the other beneath the infant's head and shoulders. Vertical extensions 4 of these sections rise on either side of the infant's torso keeping the infant's arms at approximately 90° to it. A panel 10 is attached between the vertical extensions, above the infant's torso, bridging the gap between them and preventing the infant's hands and arms moving downward. The vertical extensions have inner edges 5 at an angle to them. These help the device remain in place and stop the edges digging in to the torso. The distance between the vertical extensions can be adjusted to allow the device to be used on infants of different sizes. The main sections of the device are flexible to allow it to be used with changing mats with raised sides. They may slide relative to each other to adjust the spacing between the extensions 4 are held in place by elastic bands 2.

Fig. 1

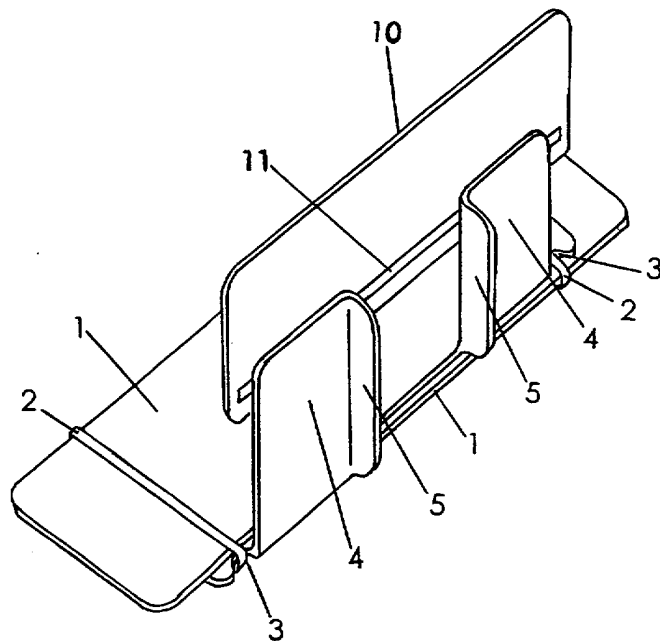


Fig. 1

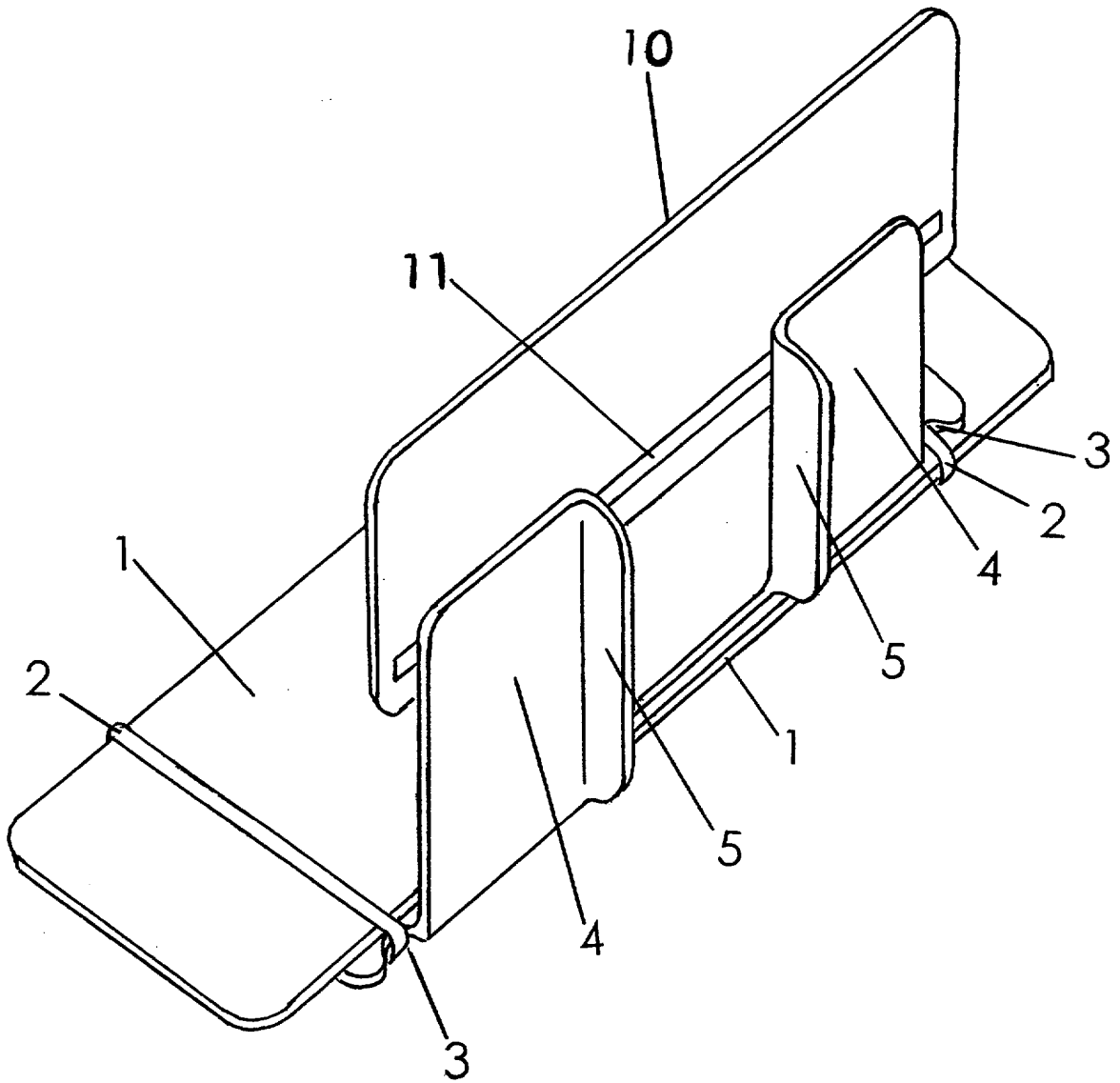


Fig. 2

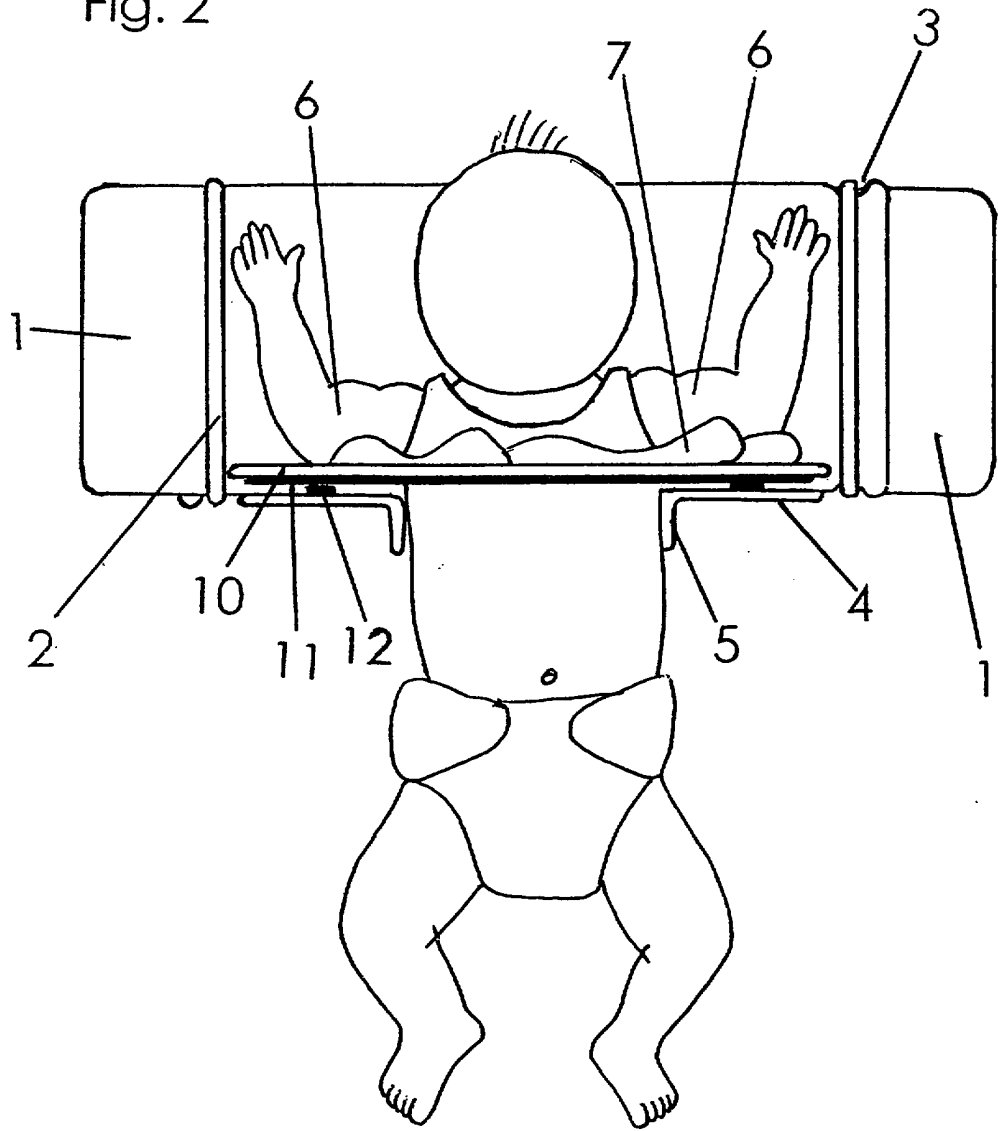


Fig. 3

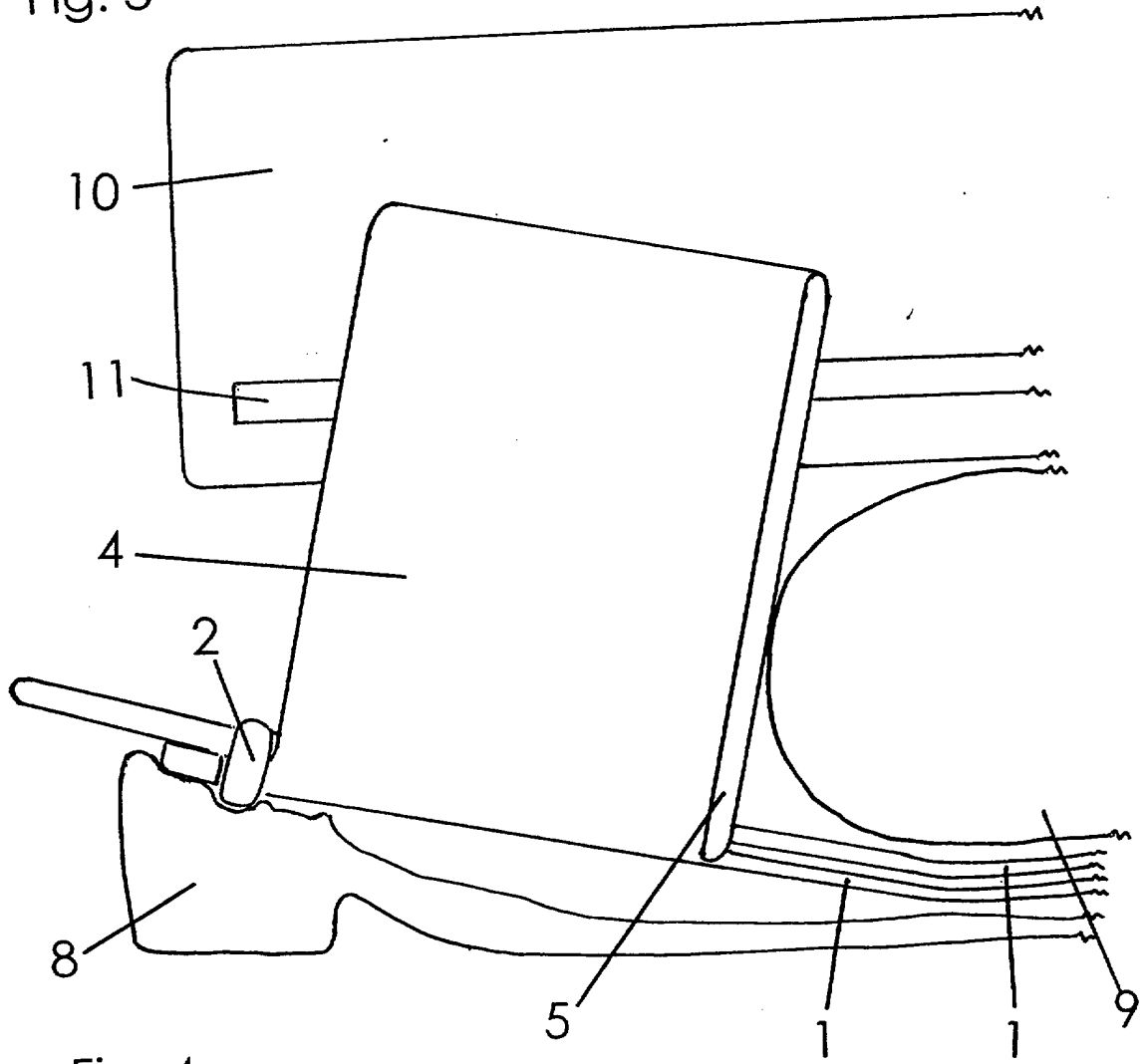
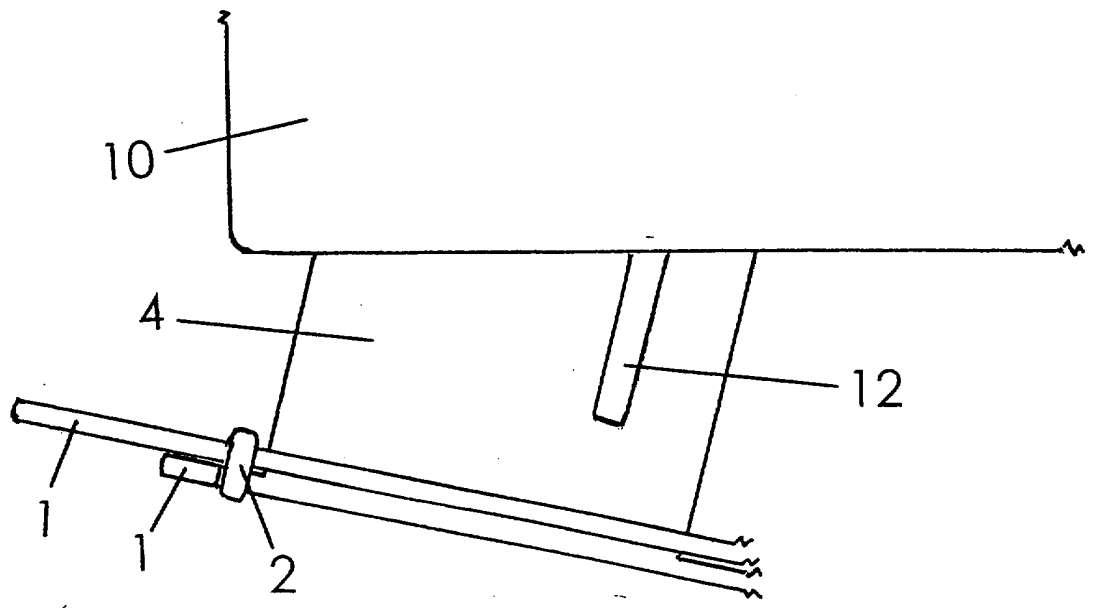


Fig. 4



DEVICE TO AID NAPPY CHANGING

This invention relates to a device designed to keep an infants hands and arms away from its nappy and lower body whilst its nappy is being changed.

Babies and young children frequently attempt to touch their lower body and nappy whilst being changed. This causes hygiene problems and makes it difficult to perform the task of changing. Devices to overcome this problem are often complex and/or cause distress to the infant.

Objects of this invention are to provide a device to keep an infant's hands and arms away from its lower body and nappy whilst being changed which is easy and safe to use with infants of different sizes.

Accordingly, this device consists of two parts, the main sections of which lie one over the other beneath the infant's head and shoulders. Vertical extensions of these sections rise on either side of the infant's torso keeping the upper arms at approximately 90° to it. A single flat panel is attached to the vertical sections, above the infant's torso, bridging the gap between them and preventing the infant hands and arms moving downward.

Preferably the device is made of a plastics material.

A preferred embodiment of the device will now be described with reference to the accompanying drawings in which:

FIGURE 1 shows a three dimensional representation of the device.

FIGURE 2 shows a plan view of the device with an infant in position.

FIGURE 3 shows a section of part of the device in place on a standard baby changing mat.

FIGURE 4 shows part of one of the vertical extensions and the flat panel.

Figure 1 shows the three parts of the device. The main sections 1 of each part lie one over the other and are secured together by elastic bands 2. The elastic bands are held in place by a notch 3 on each side of the main sections.

With the elastic bands removed the parts can slide over each other to adjust the space between the vertical extensions 4 to allow the device to be used with infants of different sizes. When the device is adjusted to the correct size the elastic bands are replaced to secure the parts. The panel 10 is then attached to the vertical extensions using hook and loop fastening tape.

The hook side 11 of the fastening tape is attached horizontally to one side of the panel 10 and the loop side 12 of the fastening tape is attached vertically to the vertical extensions as shown in figure 4. This allows the panel to be attached at any height and with any gap set between the vertical extensions. It also means the softer loop side is next to the infant's skin.

Figure 2 shows the device restraining the infant's arms 6. The infant's clothes 7 are also held out of the way of the nappy to prevent accidental soiling. With the device in place the ability of the infant to roll onto its side is reduced.

The weight of the infant's head and shoulders bearing down on the main sections keeps the device in place on the changing surface and also keeps the vertical extensions in an upright position.

The inner edges 5 of the vertical extensions are at an angle to them so as to lie down the sides of the infant. This helps the device remain in place and stops the edges digging in to the torso.

Figure 3 shows how the main sections of the device are flexible to allow it to be used on a changing mat with raised sides 8. This drawing also shows the position of the inner edge of the vertical extension against the infant's torso 9.

CLAIMS

1. A device to aid nappy changing with main sections, that are placed under an infants head and shoulders, with vertical extensions rising on either side of the infant's torso to keep it's arms at approximately 90° to the torso so the hands and arms are kept away from the nappy.
2. A device as claimed in Claim 1 where the sections can be moved over each other to adjust the distance between the vertical extensions.
3. A device as claimed in Claim 1 or Claim 2 where the sections are held together by elastic bands.
4. A device as claimed in any preceding claim that has inner edges to the vertical extensions, at an angle to them, to prevent the inner edge digging in to the infant's torso.
5. A device as claimed in any preceding claim that has a panel attached between the vertical extensions bridging the gap between them.
6. A device to aid nappy changing substantially as herein described and illustrated in the accompanying drawings.

Amendments to the claims have been filed as follows

4

CLAIMS

1. A device to aid nappy changing that keeps an infant's hands and arms away from it's nappy and lower body, comprising:
two flat, flexible horizontal panels, that are placed beneath a lying infant's head and shoulders, that can be moved over each other so as to adjust the gap between vertical extensions of these panels which rise on either side of the infant's chest keeping it's arms at approximately 90° to the rest of the body, with a third flat panel attached between the vertical extensions, directly above the infant's chest, preventing the infant's hands or arms being manoeuvred downward.
2. A device as claimed in Claim 1 that has the third panel attached between the vertical extensions, using hook-and-loop tape, which allows the height of the panel to be adjusted in relation to the horizontal panels, irrespective of the adjusted distance between the vertical extensions.
3. A device as claimed in Claim 1 where the horizontal panels are held together by elastic bands so as to maintain alignment of the two panels and the vertical extensions thereof.
4. A device as claimed in Claim 1 that has inner edges to the vertical extensions, at an angle to them, to prevent the inner edge digging in to the infant's chest.
5. A device to aid nappy changing substantially as herein described and illustrated in the accompanying drawings.



INVESTOR IN PEOPLE

Application No: GB 0009797.2
Claims searched: 1-6

Examiner: Alex Littlejohn
Date of search: 19 May 2000

Patents Act 1977 Search Report under Section 17

Databases searched:

UK Patent Office collections, including GB, EP, WO & US patent specifications, in:
UK CI (Ed.R): A3V
Int CI (Ed.7): A47D 5/00, 13/00, 13/08, 15/00; A47G 25/90; A61F 5/37; A61G 13/00
Other: Online: EPODOC, JAPIO, WPI

Documents considered to be relevant:

| Category | Identity of document and relevant passage | Relevant to claims |
|----------|--|--------------------|
| X | JP 09108254 A (Yomisu) see abstract and drawings | 1 |
| A | US 5718011 (Nogues) see whole document | - |
| A | US 5309926 (Mayton) see whole document | - |
| X | US 5161270 (Najmabadi) see whole document | 1,5 |
| X | US 4205669 (Hamann) see whole document | 1,5 |
| X | US 4136859 (Hulbert) see whole document | 1 |

| | | | |
|---|---|---|--|
| X | Document indicating lack of novelty or inventive step | A | Document indicating technological background and/or state of the art. |
| Y | Document indicating lack of inventive step if combined with one or more other documents of same category. | P | Document published on or after the declared priority date but before the filing date of this invention. |
| & | Member of the same patent family | E | Patent document published on or after, but with priority date earlier than, the filing date of this application. |