



US00D381447S

United States Patent [19]

[11] Patent Number: **Des. 381,447**

Haberstich et al.

[45] Date of Patent: ****Jul. 22, 1997**

[54] HEAD FOR A FLEXIBLE FLASHLIGHT

[75] Inventors: **Daniel Haberstich**, Rocky Hill; **Robert Marvin**, Farmington; **David W. Kaiser**, North Haven, all of Conn.

[73] Assignee: **Black & Decker Inc.**, Newark, Del.

[**] Term: **14 Years**

[21] Appl. No.: **37,590**

[22] Filed: **Apr. 17, 1995**

[51] LOC (6) Cl. **26-02**

[52] U.S. Cl. **D26/43**

[58] Field of Search D26/37, 43, 44, D26/46, 49, 60, 62; 362/157, 158, 184, 188, 189, 191, 198-200, 202, 362, 396

[56] References Cited

U.S. PATENT DOCUMENTS

D. 147,258	8/1947	Becker	D26/43
D. 166,073	3/1952	Dunkelberger	D26/43
D. 314,246	1/1991	Bache	D26/62
D. 328,146	7/1992	Sinsteden	D26/49
3,111,277	11/1963	Grimsley	D26/43 X

FOREIGN PATENT DOCUMENTS

604541	7/1983	Japan	D26/43
671733	2/1986	Japan	D26/43
671734	2/1986	Japan	D26/43

Primary Examiner—A. Hugo Word
Assistant Examiner—Lavone Tabor
Attorney, Agent, or Firm—Barry E. Deutsch

[57] CLAIM

The ornamental design for a head for a flexible flashlight, as shown and described.

DESCRIPTION

FIG. 1 is a perspective view taken from the front, right side and top of a head for a flexible flashlight showing our new design, the portion shown in phantom is illustrative of a flexible core to which my new design may be attached;

FIG. 2 is a right side elevational view thereof;

FIG. 3 is a left side elevational view thereof;

FIG. 4 is a front elevational view thereof;

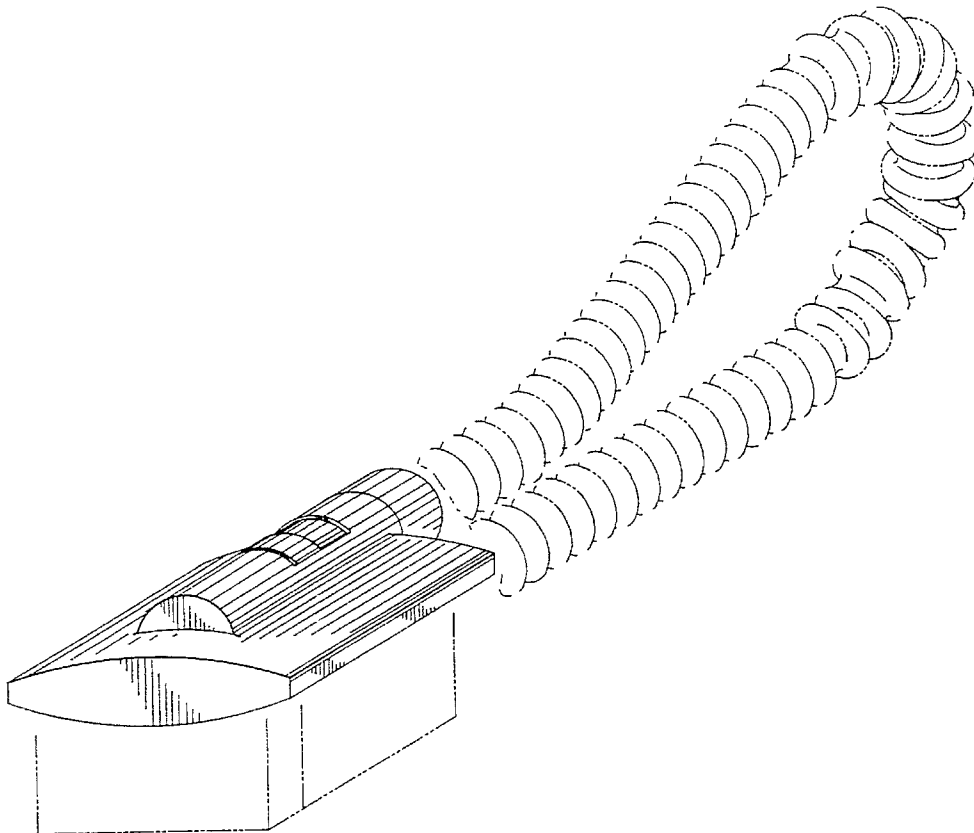
FIG. 5 is a rear elevational view thereof;

FIG. 6 is a top plan view thereof; and,

FIG. 7 is a bottom view thereof.

The broken lines are for illustrative purposes only and form no part of the claimed design.

1 Claim, 4 Drawing Sheets



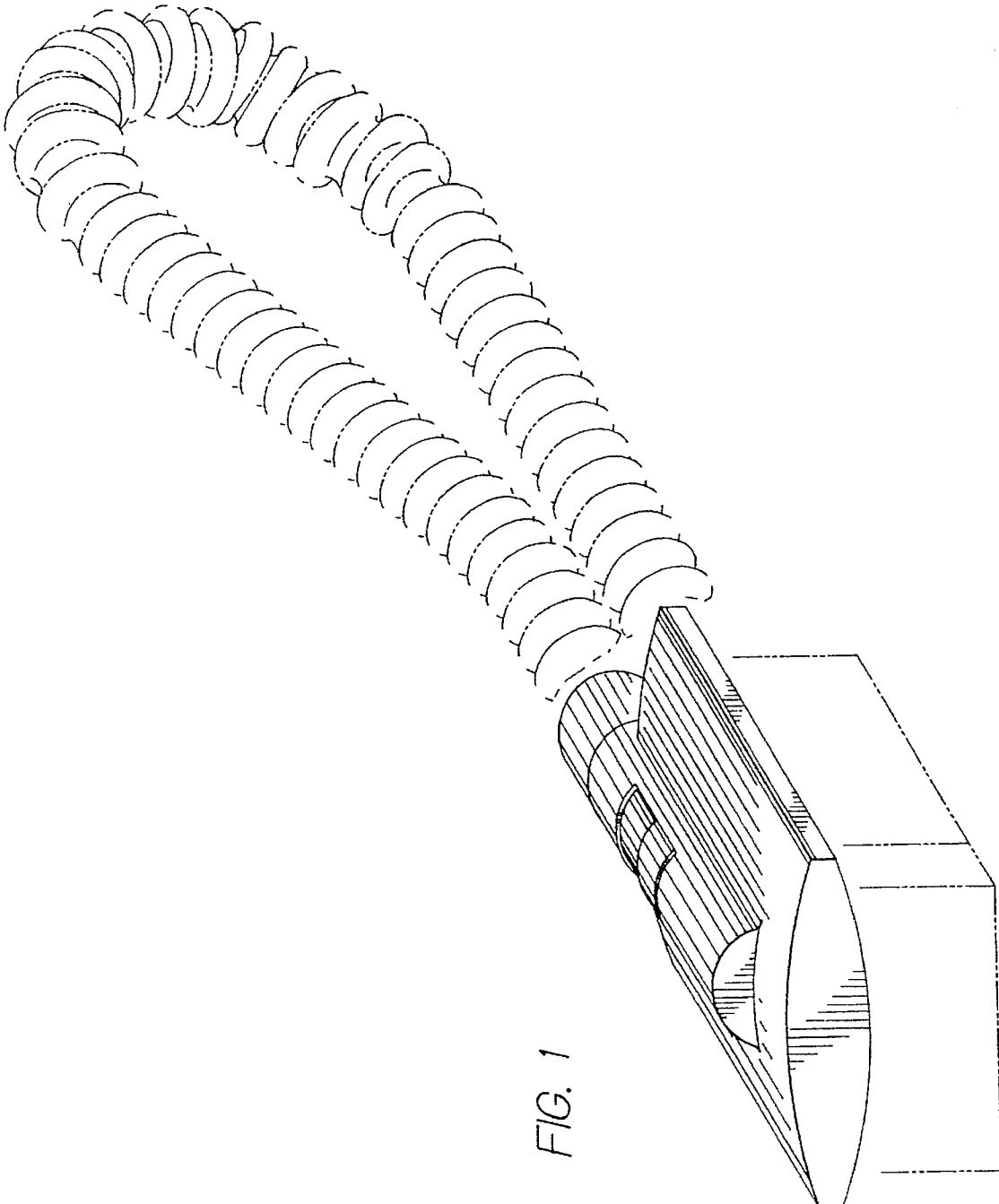


FIG. 1

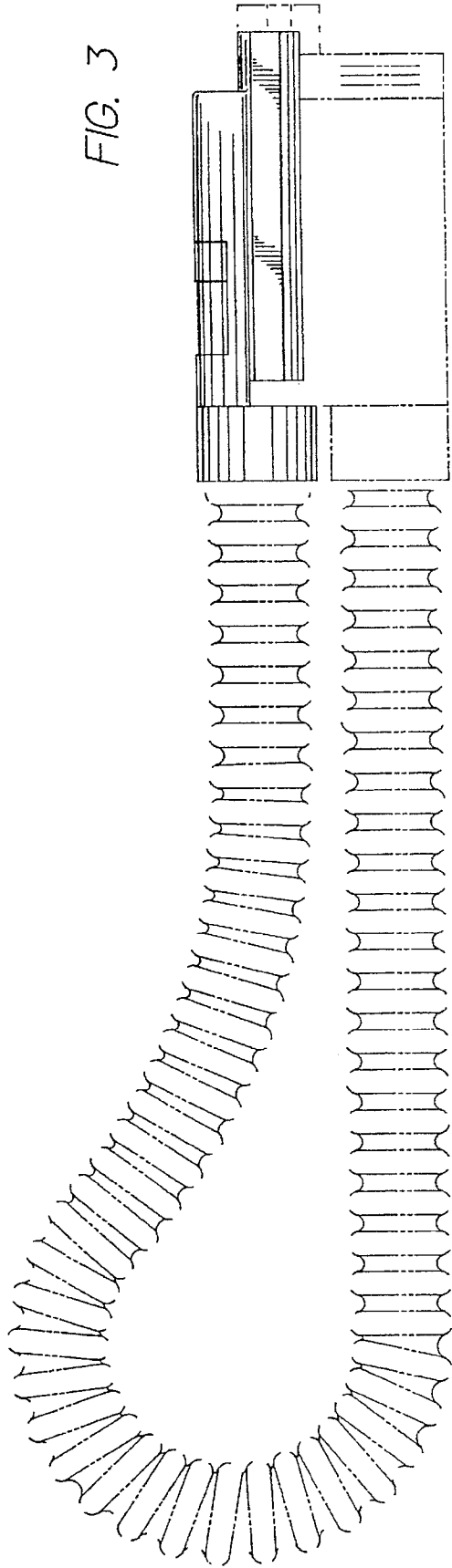
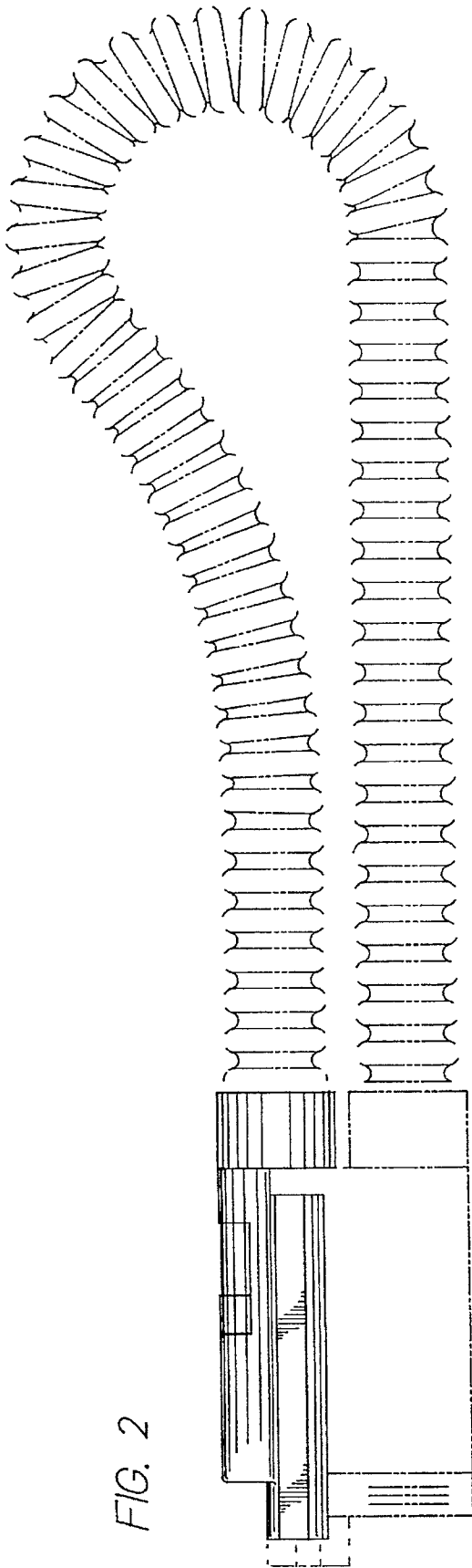


FIG. 5

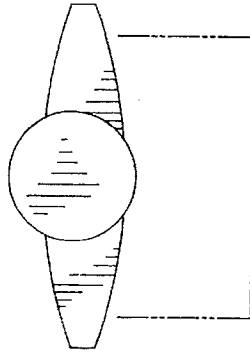


FIG. 4

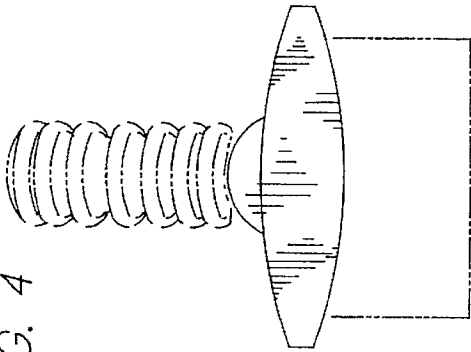
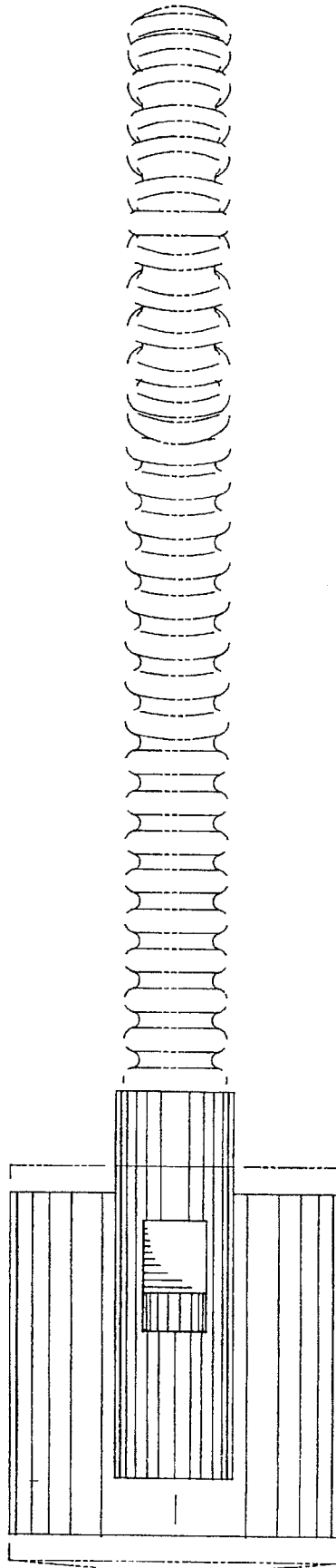


FIG. 6



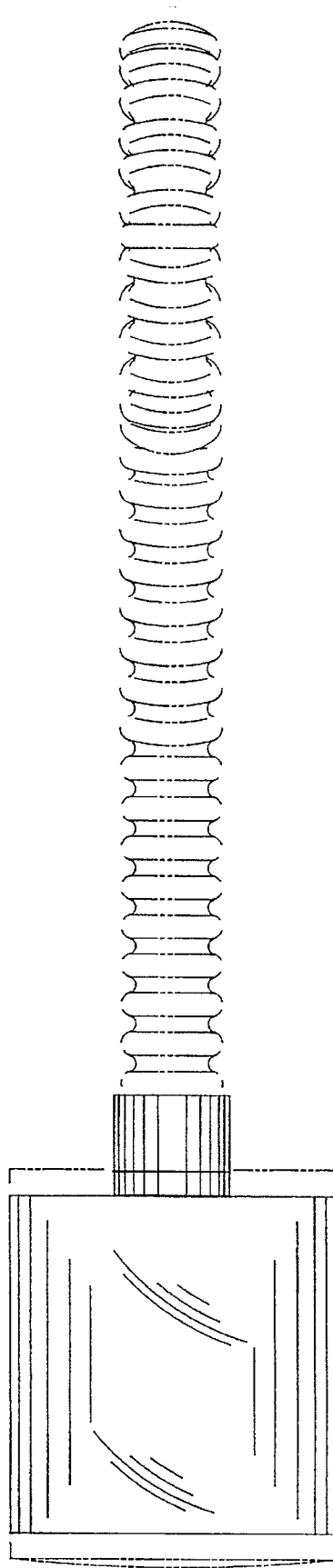


FIG. 7