



US00D843839S

(12) **United States Design Patent**
Walbroel et al.

(10) **Patent No.:** **US D843,839 S**

(45) **Date of Patent:** **** Mar. 26, 2019**

(54) **BOTTLE**

(56) **References Cited**

(71) Applicants: **Jillian Walbroel**, Woodland Park, NJ (US); **Christon G. Suess**, Paramus, NJ (US); **Jeffrey Steel**, Hoboken, NJ (US); **Carl Cetera**, Westfield, NJ (US)

U.S. PATENT DOCUMENTS

D425,459	S	*	5/2000	Sousa	D12/607
D512,918	S	*	12/2005	Ruiz	D9/520
D691,044	S	*	10/2013	Toh	D9/449
D691,045	S	*	10/2013	Toh	D9/449
D698,597	S	*	2/2014	Malik	D7/392.1
D698,598	S	*	2/2014	Malik	D7/392.1
D698,599	S	*	2/2014	Malik	D7/392.1
D702,551	S	*	4/2014	Wisniewski	D9/449
D718,626	S	*	12/2014	Lane	B65D 41/62 D9/449
D725,966	S	*	4/2015	Boroski	D7/511
D734,638	S	*	7/2015	Wahl	D7/392.1
D739,183	S	*	9/2015	Lane	D7/605
D744,340	S	*	12/2015	Tillman	D9/451
D747,918	S	*	1/2016	Herbst	D7/392.1
D758,790	S	*	6/2016	Boroski	D7/392.1

(72) Inventors: **Jillian Walbroel**, Woodland Park, NJ (US); **Christon G. Suess**, Paramus, NJ (US); **Jeffrey Steel**, Hoboken, NJ (US); **Carl Cetera**, Westfield, NJ (US)

(73) Assignee: **Cotapaxi Custom Design and Manufacturing LLC**, Carlstadt, NJ (US)

(**) Term: **15 Years**

(Continued)

(21) Appl. No.: **29/616,068**

Primary Examiner — Garth Rademaker

(22) Filed: **Sep. 1, 2017**

Assistant Examiner — Fitzgerald L Butac

Related U.S. Application Data

(74) *Attorney, Agent, or Firm* — Steven E. Shapiro

(63) Continuation of application No. 29/561,021, filed on Apr. 12, 2016, now Pat. No. Des. 796,328, which is a continuation of application No. 29/551,506, filed on Jan. 14, 2016, now abandoned.

(57) **CLAIM**

The ornamental design for a bottle, as shown and described.

(51) **LOC (11) Cl.** **09-01**

DESCRIPTION

(52) **U.S. Cl.**

USPC **D9/542**

(58) **Field of Classification Search**

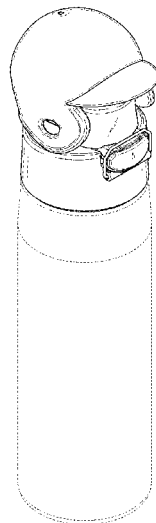
USPC D7/300, 302, 506, 507, 509, 510, 511, D7/514, 516, 531, 598; D9/405, 451, D9/500–504, 509, 510, 516, 519, 521, D9/522, 529, 530, 537–545, 549–554, D9/557–559, 563, 565–597, 682, D9/686–692; D24/197

FIG. 1 is a top perspective view of a bottle; FIG. 2 is a rear perspective view of the bottle; FIG. 3 is a front elevation view thereof; FIG. 4 is a right side elevation view thereof; FIG. 5 is a left side elevation view thereof; FIG. 6 is a rear elevation view thereof; FIG. 7 is a top plan view of the bottle; and, FIG. 8 is a bottom plan view of the bottle. The broken lines represent portions of the bottle that form no part of the claimed design.

CPC .. B65D 1/0215; B65D 1/0223; B65D 1/0284; B65D 2501/0027; B65D 2501/0081; B65D 21/0212; B65D 21/0224

1 Claim, 7 Drawing Sheets

See application file for complete search history.



(56)

References Cited

U.S. PATENT DOCUMENTS

D775,951 S *	1/2017	Wang	D7/392.1	D811,810 S *	3/2018	Joseph	D7/392.1
D791,532 S *	7/2017	Yao	D7/392.1	D812,419 S *	3/2018	Yao	D7/392.1
D793,154 S *	8/2017	Sorensen	D7/392.1	D814,235 S *	4/2018	Shirley	D7/392.1
D793,804 S *	8/2017	Herbst	D7/392.1	D814,855 S *	4/2018	Hammer	D7/392.1
D794,453 S *	8/2017	Boroski	D7/392.1	D816,398 S *	5/2018	Fleischhut	D7/392.1
D795,008 S *	8/2017	Eyal	D7/392.1	D817,084 S *	5/2018	Hammer	D7/392.1
D795,009 S *	8/2017	Alprin	D7/392.1	D817,085 S *	5/2018	Davis	D7/392.1
D796,327 S *	9/2017	Walbroel	D9/503	D817,088 S *	5/2018	Shirley	D7/396.2
D796,328 S *	9/2017	Walbroel	D9/503	D818,309 S *	5/2018	Jasso Gomez	D7/392.1
D802,993 S *	11/2017	Joseph	D7/392.1	D818,767 S *	5/2018	Nezu	D7/392.1
D802,999 S *	11/2017	Walbroel	D7/515	D819,395 S *	6/2018	Yu	D7/391
D804,304 S *	12/2017	Pearson	D9/443	D819,396 S *	6/2018	Seiders	D7/392.1
D804,904 S *	12/2017	Noveletsky	D7/510	D820,634 S *	6/2018	Michie	D7/392.1
D806,468 S *	1/2018	Goodwin	D7/392.1	D820,635 S *	6/2018	Hammer	D7/392.1
D808,711 S *	1/2018	Joseph	D7/392.1	D820,637 S *	6/2018	Davis	D7/392.1
D809,384 S *	2/2018	Best	D9/443	D820,650 S *	6/2018	Seiders	D7/608
D810,500 S *	2/2018	Maple	D7/392.1	D823,068 S *	7/2018	Seiders	D7/608
D810,502 S *	2/2018	Joseph	D7/392.1	D823,069 S *	7/2018	Seiders	D7/608
					D824,218 S *	7/2018	Seiders	D7/608
					D825,332 S *	8/2018	Miksovsky	D9/446
					D826,725 S *	8/2018	Konieczny	D9/628

* cited by examiner

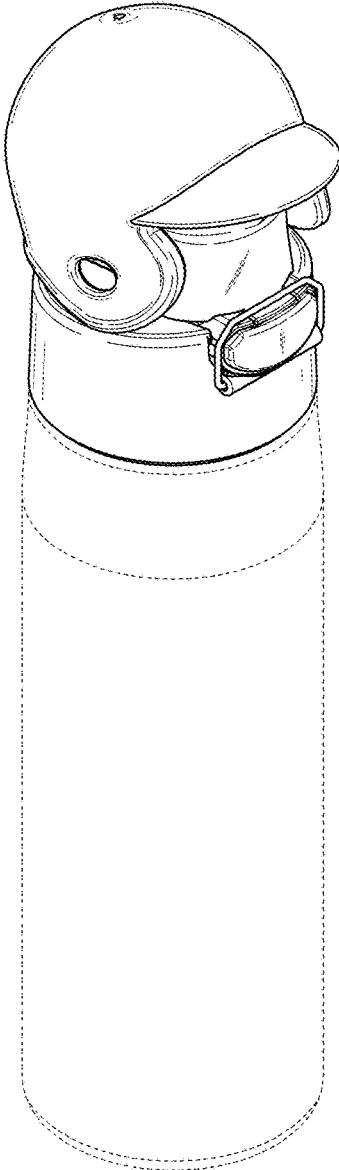


FIG. 1

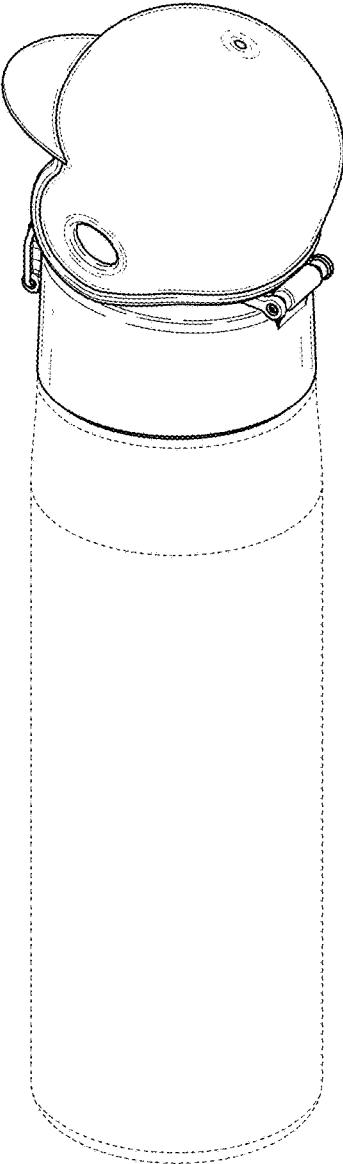


FIG. 2



FIG. 3

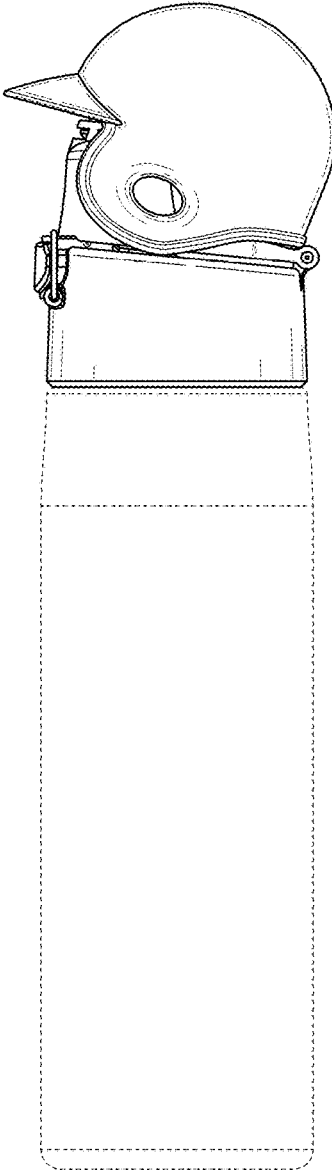


FIG. 4

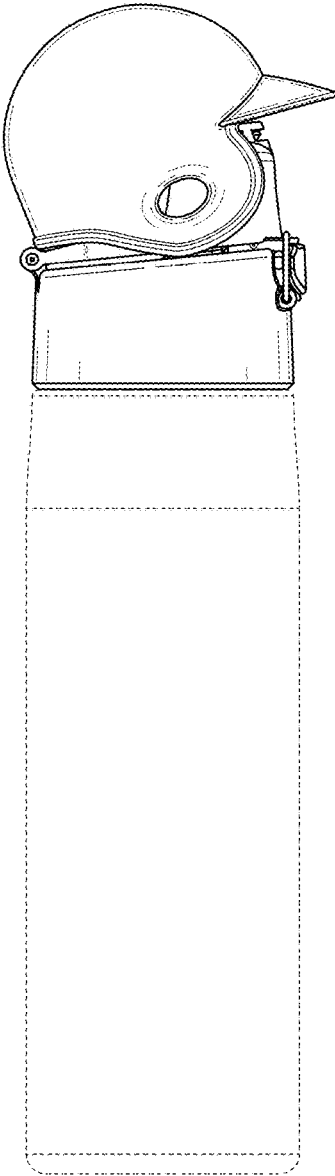


FIG. 5

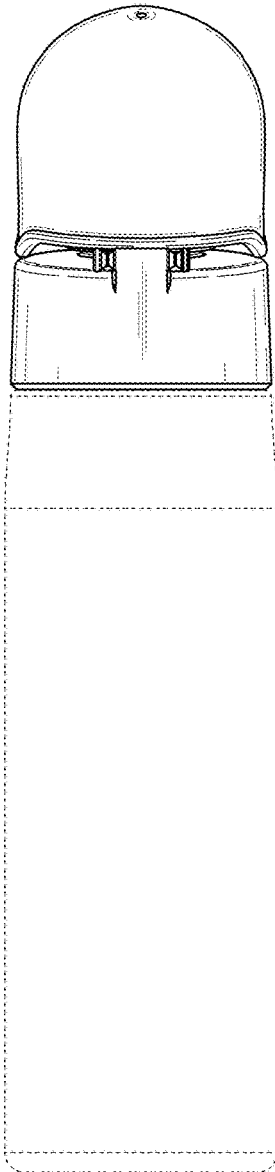


FIG. 6

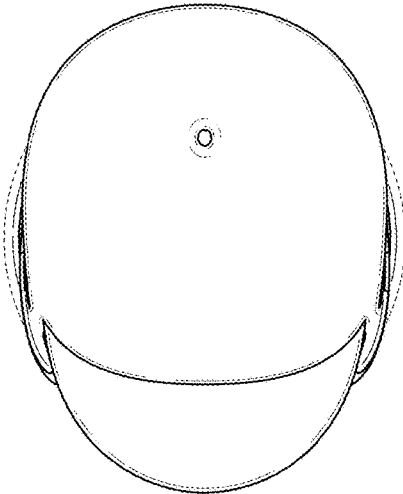


FIG. 7

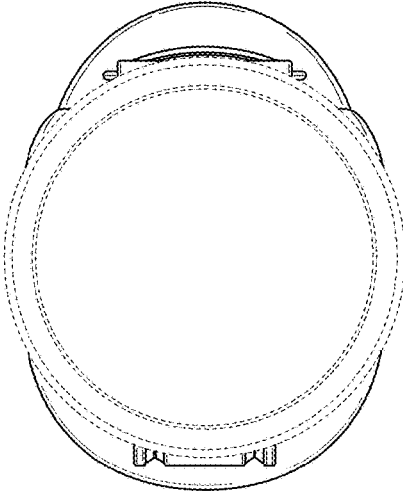


FIG. 8