



US00D784094S

(12) **United States Design Patent**
Kim et al.

(10) **Patent No.:** **US D784,094 S**
(45) **Date of Patent:** **** Apr. 18, 2017**

(54) **FOOD PRESSING WEIGHT** 7,703,387 B2 * 4/2010 Muskat A47J 37/108
99/349
(71) Applicant: **CJ CHEILJEDANG CORP.**, Seoul D701,094 S * 3/2014 Bradford D7/665
(KR) 2004/0074398 A1* 4/2004 Griffin A23L 5/15
99/342

(72) Inventors: **Jung Woo Kim**, Seoul (KR); **Yul Joong Kim**, Seoul (KR); **Seol Hee Son**, Seoul (KR)

* cited by examiner

Primary Examiner — Terry Wallace

(73) Assignee: **CJ CHEILJEDANG CORPORATION**, Seoul (KR)

(74) *Attorney, Agent, or Firm* — Jeremy Jay

(**) Term: **15 Years**

(57) **CLAIM**

(21) Appl. No.: **29/535,713**

The ornamental design for a food pressing weight, as shown and described.

(22) Filed: **Aug. 10, 2015**

(30) **Foreign Application Priority Data**

May 19, 2015 (KR) 30-2015-0025337

(51) **LOC (10) Cl.** **07-04**

(52) **U.S. Cl.**
USPC **D7/669; D7/682**

(58) **Field of Classification Search**
USPC D7/669, 368, 682
CPC A47J 43/00; A47J 43/18; A47J 37/108
See application file for complete search history.

DESCRIPTION

FIG. 1 is a perspective view of a food pressing weight of the present invention.
FIG. 2 is a front elevational view thereof;
FIG. 3 is a rear elevational view thereof;
FIG. 4 is a left side elevational view thereof;
FIG. 5 is a right side elevational view thereof;
FIG. 6 is a top plan view thereof; and,
FIG. 7 is a bottom plan view thereof.

(56) **References Cited**

U.S. PATENT DOCUMENTS

D525,490 S * 7/2006 Muskat D7/669
7,586,067 B2 * 9/2009 Hill A47J 43/18
219/729

1 Claim, 5 Drawing Sheets

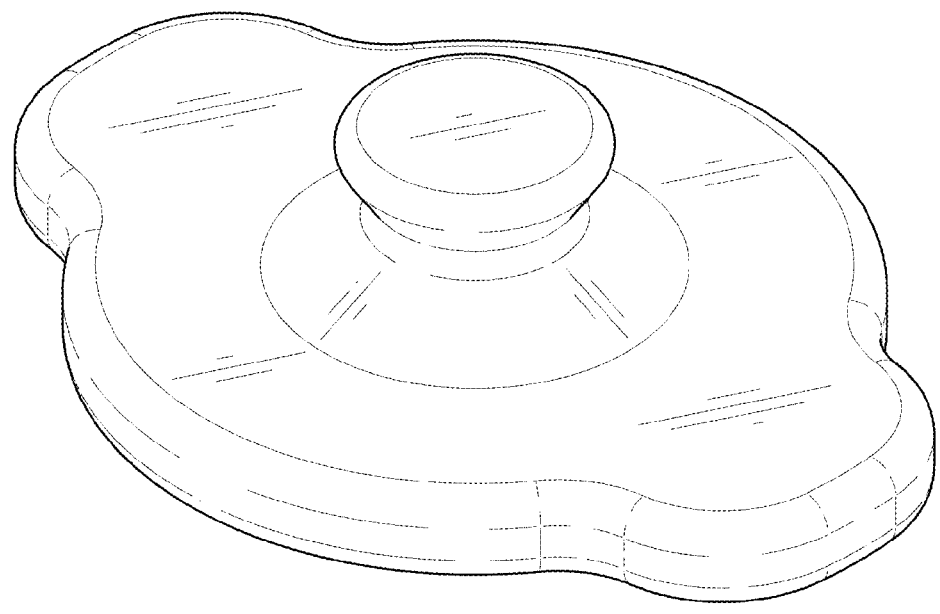


FIG. 1

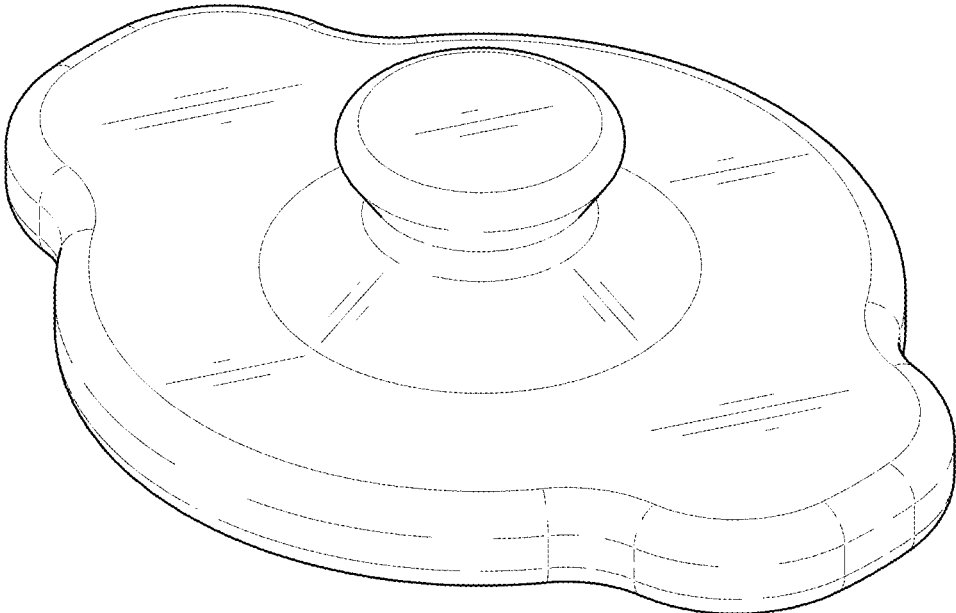


FIG. 2

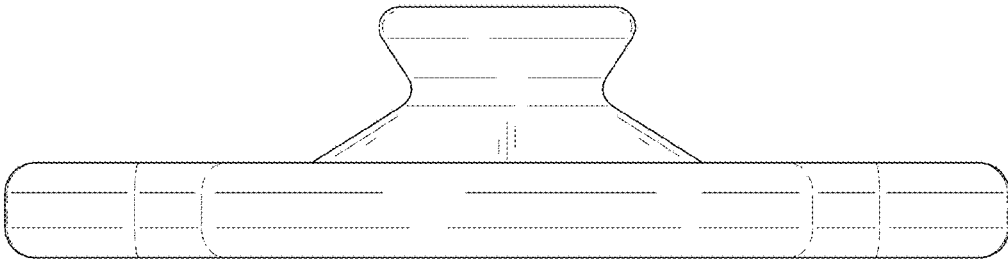


FIG. 3

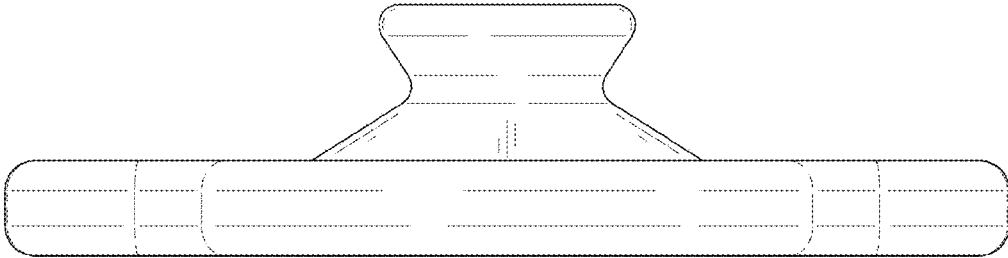


FIG. 4

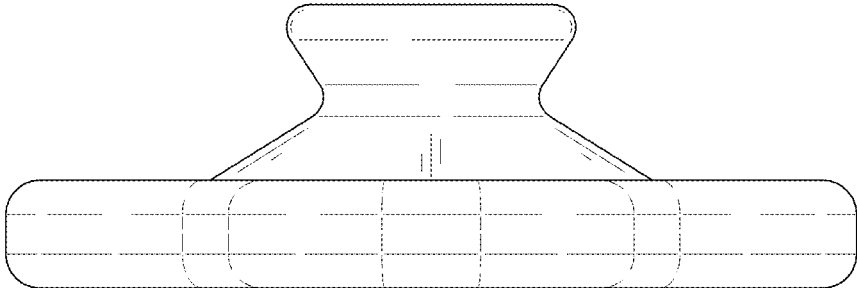


FIG. 5

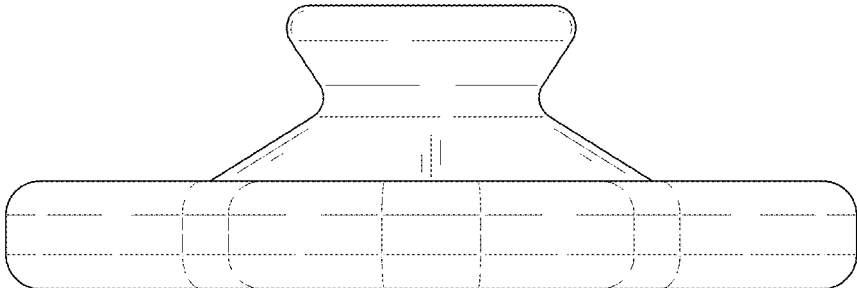


FIG. 6

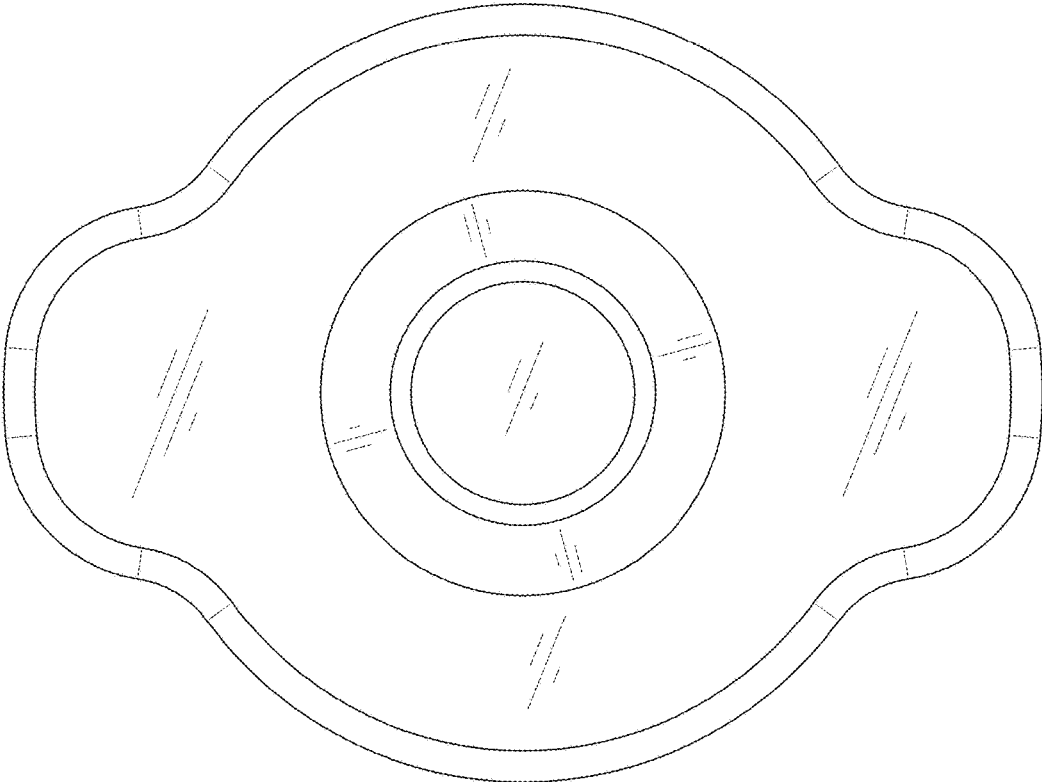


FIG. 7

