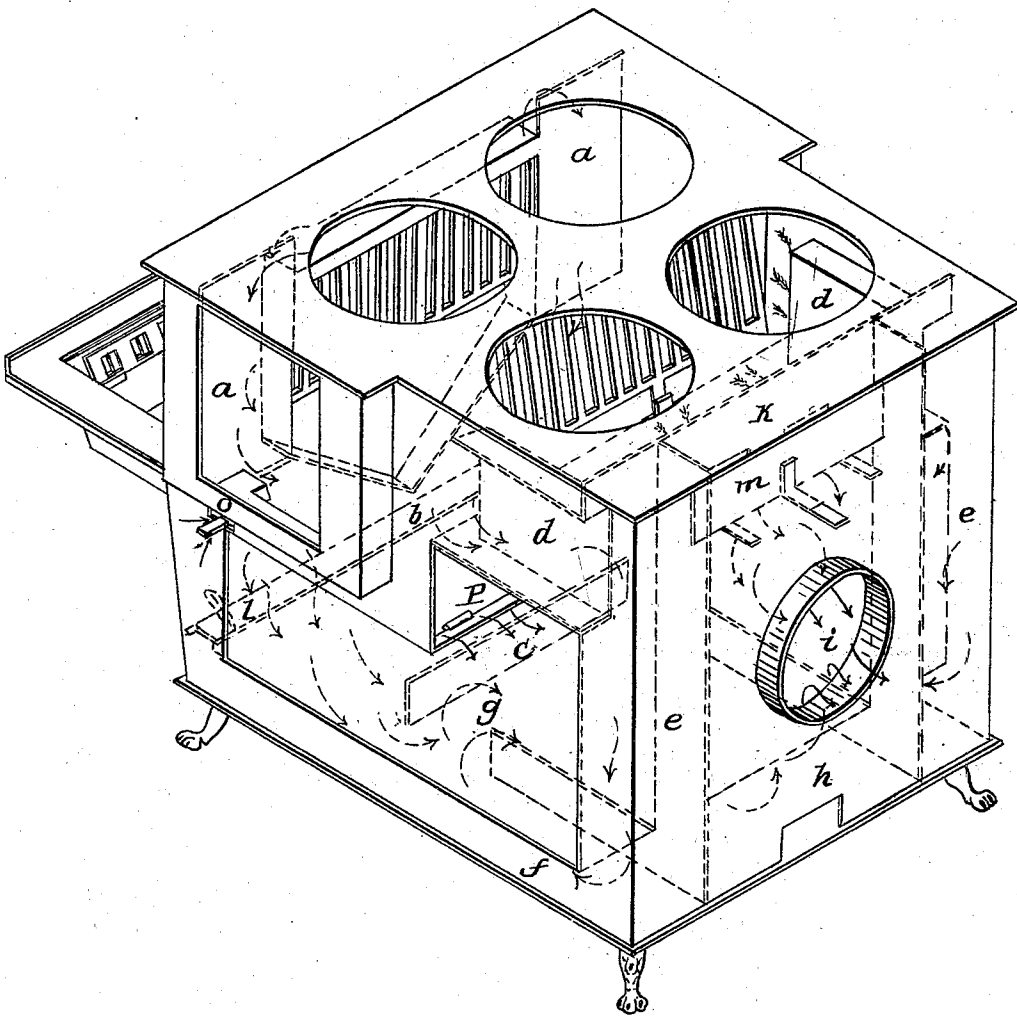


W. SOURS.
Cooking Stove.

No. 7,955.

Patented Feb. 25, 1851.



UNITED STATES PATENT OFFICE.

WM. SOURS, OF MOUNT JACKSON, VIRGINIA.

COOKING-STOVE.

Specification of Letters Patent No. 7,955, dated February 25, 1851.

To all whom it may concern:

Be it known that I, WILLIAM SOURS, of Mount Jackson, in the county of Shenandoah and State of Virginia, have invented certain Improvements in Cooking-Stoves, and that the following is a full, clear, and exact description of the principle or character which distinguishes them from all other things before known and of the usual manner of making, modifying, and using the same, reference being had to the accompanying drawing, which is a perspective view with the interior parts shown in red lines.

My improvement consists in a new arrangement of the flues which surround the ovens, &c., by which the heat is more equally diffused throughout their extent, than has been hitherto done; and by commencing the several flues at the four corners of the fire chamber, and causing them to meet and unite under the middle of the stove, their courses are made of nearly equal length, and consequently the quantity of heated air passing through them is equally divided between them.

In the drawing, the several currents of air are shown by arrows indicating their direction.

(*a*) are the front diving flues which commence at the front corners of the fire box, and unite below the ash pit at (*b*) from which point the heated air passes under the bottom, an equal portion passing around each end of a partition (*c*) which extends transversely across the bottom flue. At the back corners of the fire box are the entrances

to the back diving flues (*d*) which run horizontally from the fire, then descending at each back corner (*e*) and turning under the oven at (*f*), the heated air in them meets that coming through the front flues, and the several currents uniting at this point (*g*) pass back and ascend by the center back flue (*h*) and escape by the chimney at (*i*). The back flue (*h*) serves to make a direct passage to the chimney when required, by opening the damper (*m*). A damper (*l*) is provided to close the front diving flues, if desired.

A current of air is admitted from without by the apertures (*o*) which can be closed, when necessary by dampers. These apertures admit the air to the under surface of the plate forming the bottom of the fire box, and the air after being heated thereby to a high temperature, passes by the slit (*p*) into the oven, driving out the air surcharged with steam and vapor, arising from the articles in process of cooking through apertures in the oven doors.

Having thus fully described my improvements, what I claim as new therein and desire to secure by Letters Patent is—

The transverse partition (*c*) in combination with the arrangement of front and back flues, as above described for causing the several currents to unite after having traversed courses of nearly equal length, as set forth.

WILLIAM SOURS.

Witnesses:

JAS. FLANAGAN,
JACOB LUCAS.