



US00D792974S

(12) **United States Design Patent**
Roth

(10) **Patent No.:** **US D792,974 S**

(45) **Date of Patent:** **** Jul. 25, 2017**

- (54) **EQUIPMENT CART**
- (71) Applicant: **seiratherm GmbH**, Herzogenaurach (DE)
- (72) Inventor: **Matthias Roth**, Herzogenaurach (DE)
- (73) Assignee: **seiratherm GmbH**, Herzogenaurach (DE)
- (**) Term: **14 Years**
- (21) Appl. No.: **29/466,152**
- (22) Filed: **Sep. 4, 2013**

5,895,418	A *	4/1999	Saringer	A61F 7/00
					607/104
6,149,674	A *	11/2000	Borders	A61G 12/002
					607/108
D438,952	S *	3/2001	Cimino	D24/144
6,440,157	B1 *	8/2002	Shigezawa	A61F 7/0085
					607/96
D465,895	S *	11/2002	Pfefferle	D34/19
6,626,445	B2 *	9/2003	Murphy	A61G 12/001
					312/209
D486,915	S *	2/2004	Warschewske	D24/185
D603,048	S *	10/2009	Fleck	D24/185
D621,513	S *	8/2010	Cinqualbre	D24/185

(Continued)

Primary Examiner — Ian Simmons

Assistant Examiner — Mark Cavanna

(74) *Attorney, Agent, or Firm* — Fish & Richardson P.C.

(30) **Foreign Application Priority Data**

Mar. 4, 2013 (DE) 40 2013 100 191

(51) **LOC (10) CL.** **24-01**

(52) **U.S. CL.**
USPC **D24/185**

(58) **Field of Classification Search**

USPC D24/187, 185, 107, 169, 144; D34/19,
D34/25–26, 14; 312/209, 216–218;
607/96, 104–111, 113; 604/19, 23, 27,
604/43

CPC A61M 5/1407; A61F 7/00; A61F 7/10;
A61F 7/12; A61F 7/007; A61F 7/0085;
A61F 7/123; A61G 12/001; A61G 12/002

See application file for complete search history.

(56) **References Cited**

U.S. PATENT DOCUMENTS

2,415,455	A *	2/1947	Barnes	A61M 19/00
					607/104
3,254,652	A *	6/1966	Smith	A61F 7/123
					607/105
5,518,310	A *	5/1996	Ellman	A61G 12/001
					312/209

(57) **CLAIM**

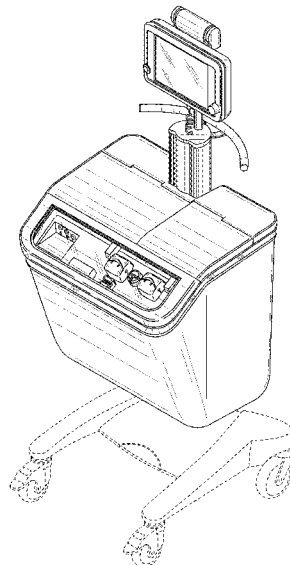
The ornamental design for equipment cart, as shown and described.

DESCRIPTION

FIG. 1 is a front-top perspective view of an equipment cart; FIG. 2 is a front view of the equipment cart; FIG. 3 is a rear view of the equipment cart; FIG. 4 is a side view of the equipment cart; FIG. 5 is another side view of the equipment cart; FIG. 6 is a top plan view of the equipment cart; FIG. 7 is a bottom plan view of the equipment cart; and, FIG. 8 is an enlarged perspective view of a main housing of the equipment cart showing a cover along a top portion of the main housing in an open position.

A bottom surface of the main housing of the equipment cart from which a post extends toward the wheels is substantially flat and forms no part of the claimed design. Broken lines shown in the drawings illustrate environmental structure only and form no part of the claimed design.

1 Claim, 7 Drawing Sheets



(56)

References Cited

U.S. PATENT DOCUMENTS

7,819,835 B2 * 10/2010 Landy A61M 5/1407
607/103
7,854,754 B2 * 12/2010 Ting A61F 7/10
607/112
D640,437 S * 6/2011 Opsahl D34/19
8,702,774 B2 * 4/2014 Baker A61F 7/007
607/108
D752,231 S * 3/2016 Halter D24/185
D752,232 S * 3/2016 Hacker D24/185
2006/0287697 A1 * 12/2006 Lennox A61F 7/0085
607/96
2010/0057169 A1 * 3/2010 King A61F 7/00
607/104
2011/0040359 A1 * 2/2011 Harris A61F 7/12
607/105
2013/0178923 A1 * 7/2013 Dabrowiak A61F 7/12
607/105
2013/0245731 A1 * 9/2013 Allison A61F 7/10
607/104
2014/0046411 A1 * 2/2014 Elkins A61F 7/00
607/104
2014/0343639 A1 * 11/2014 Hopper A61F 7/0085
607/104

* cited by examiner

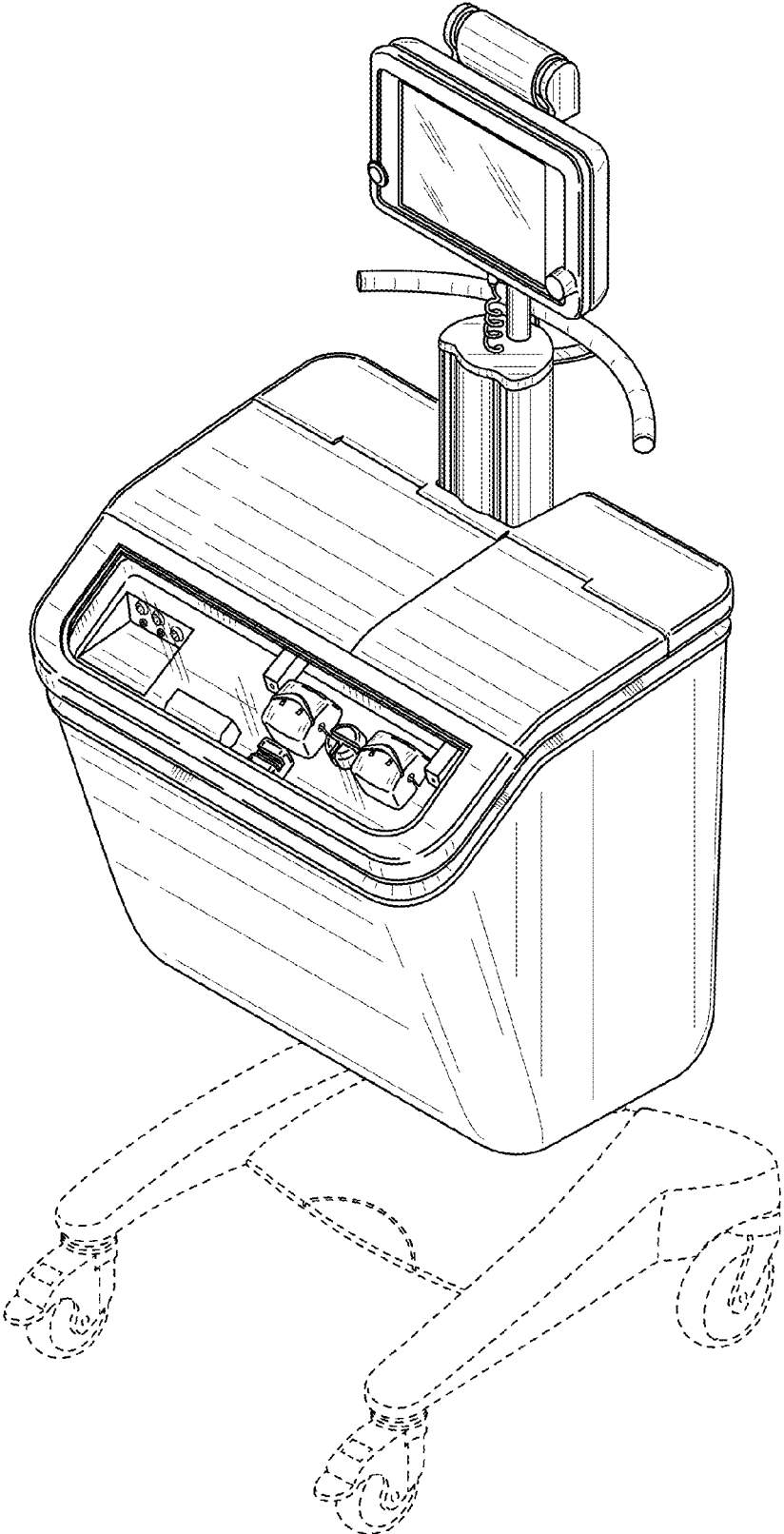


FIG. 1

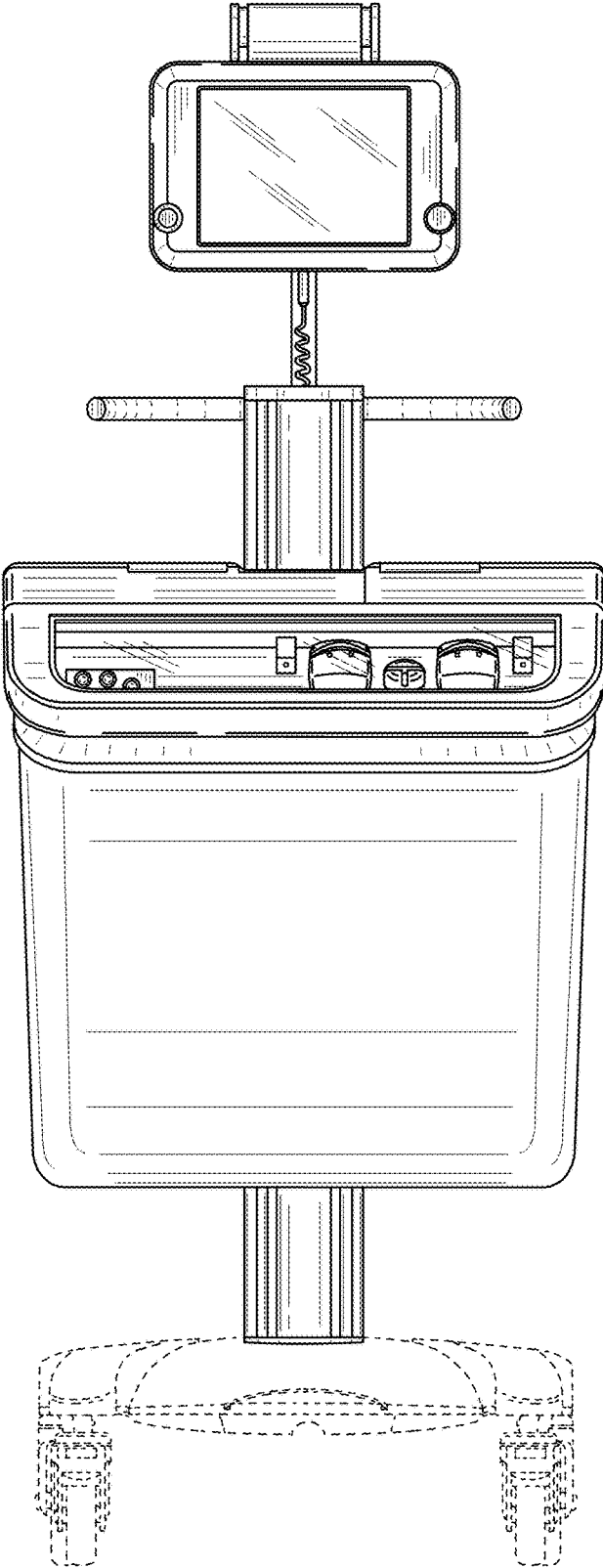


FIG. 2

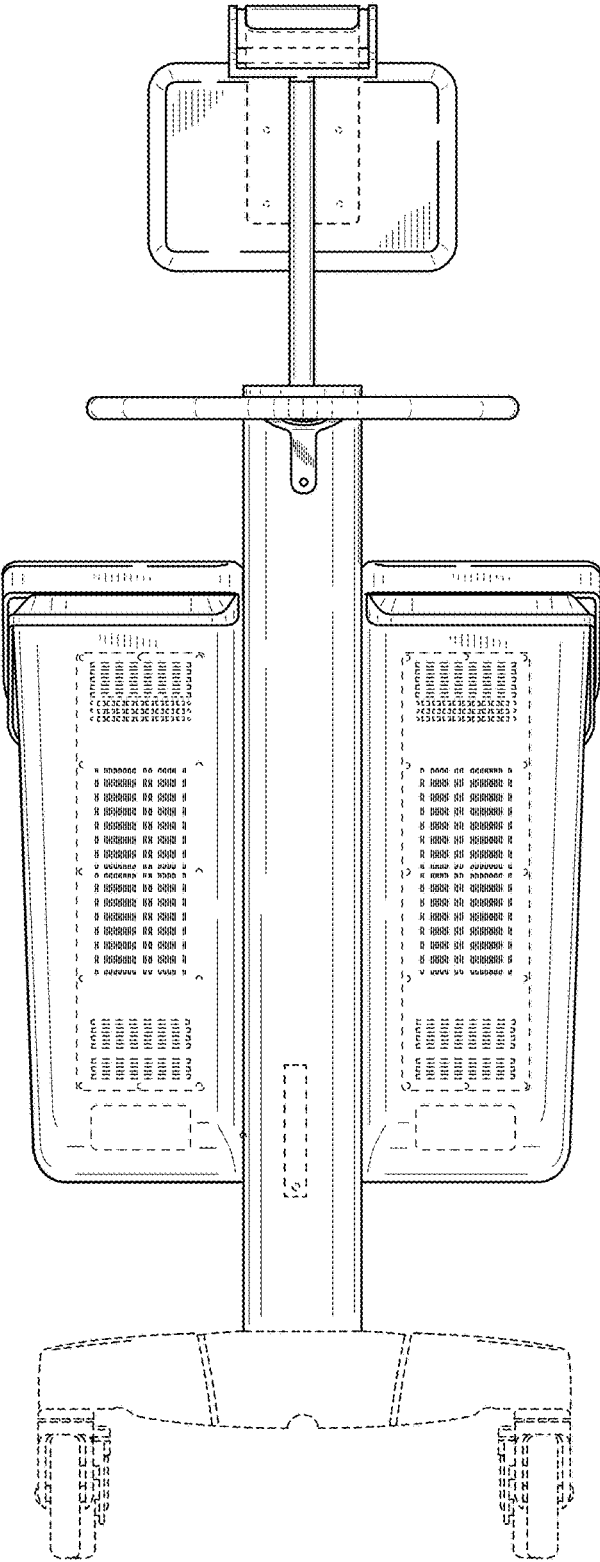


FIG. 3

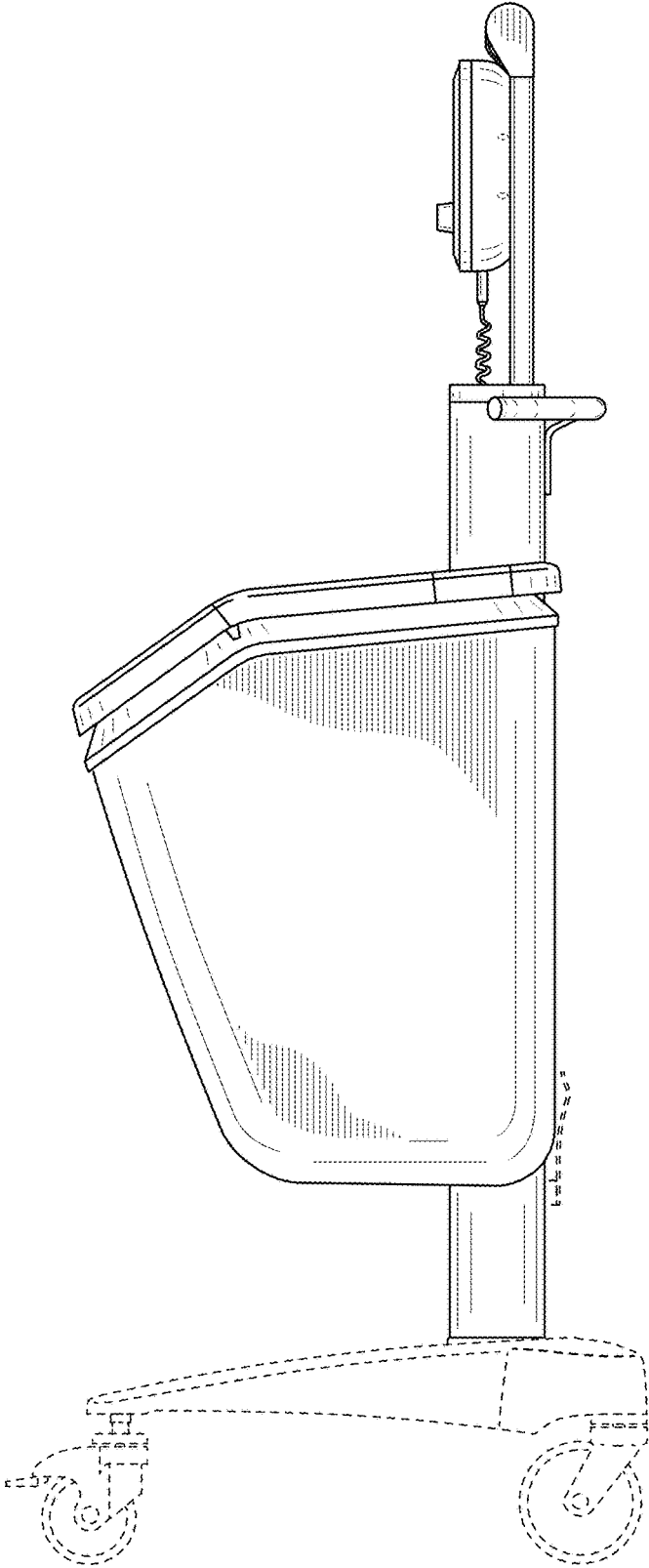


FIG. 4

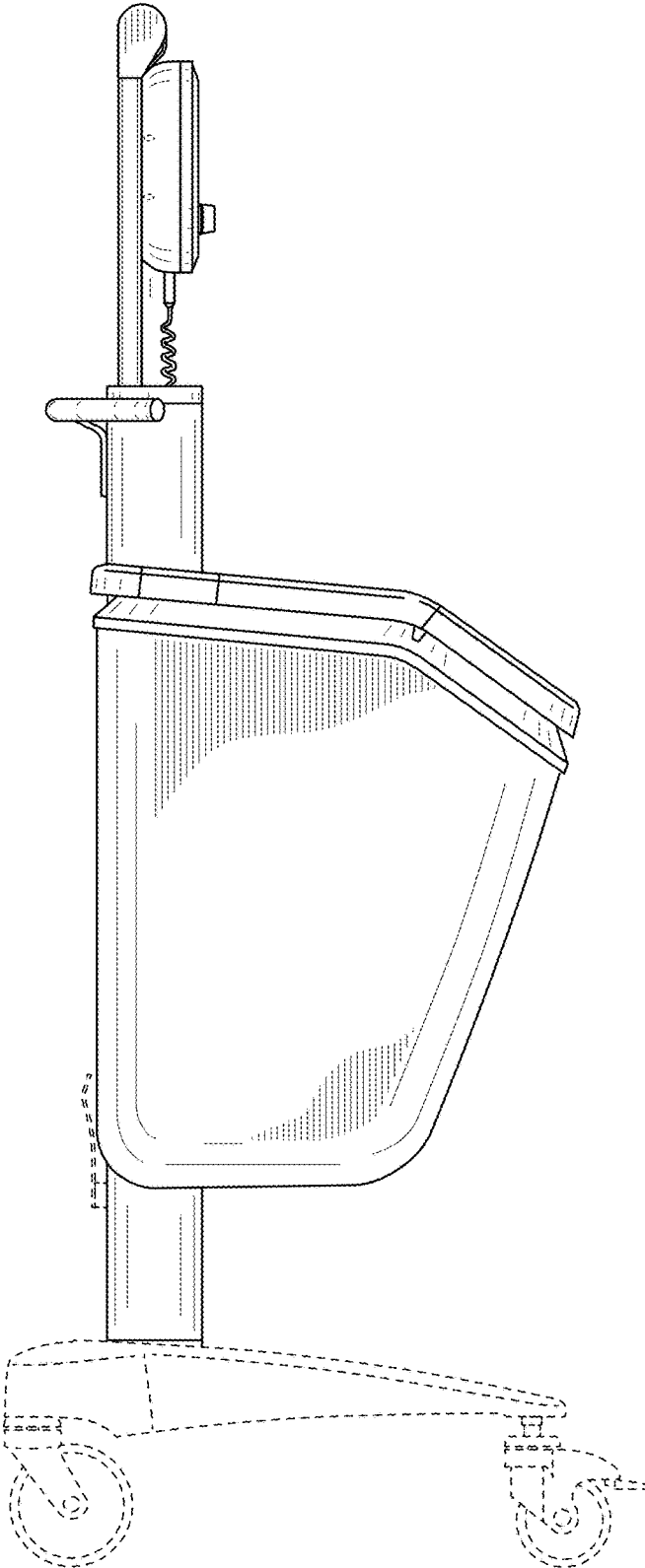


FIG. 5

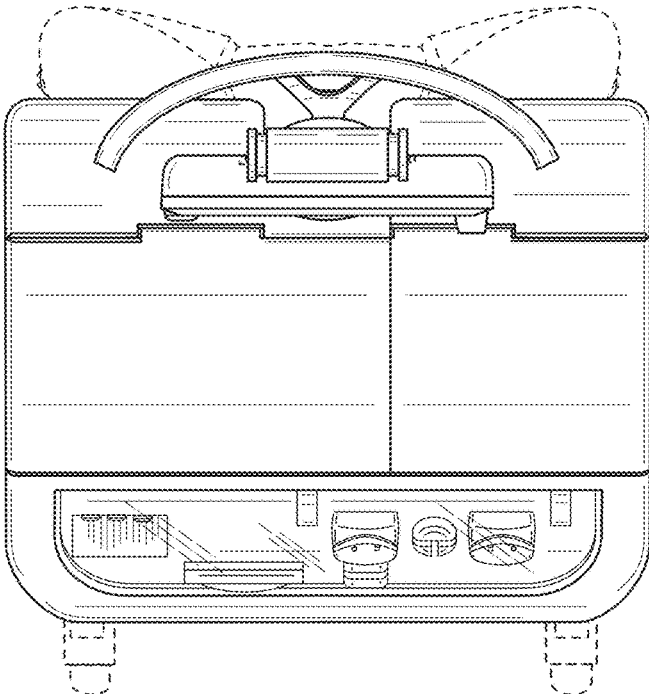


FIG. 6

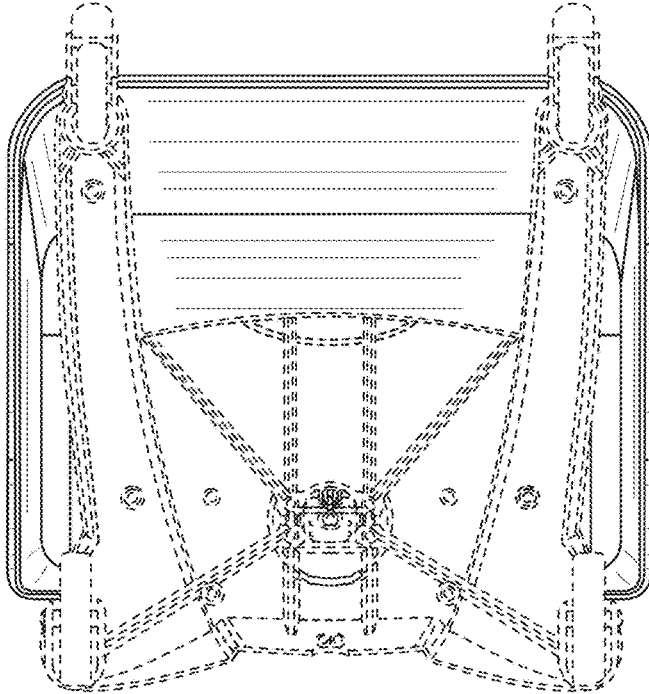


FIG. 7

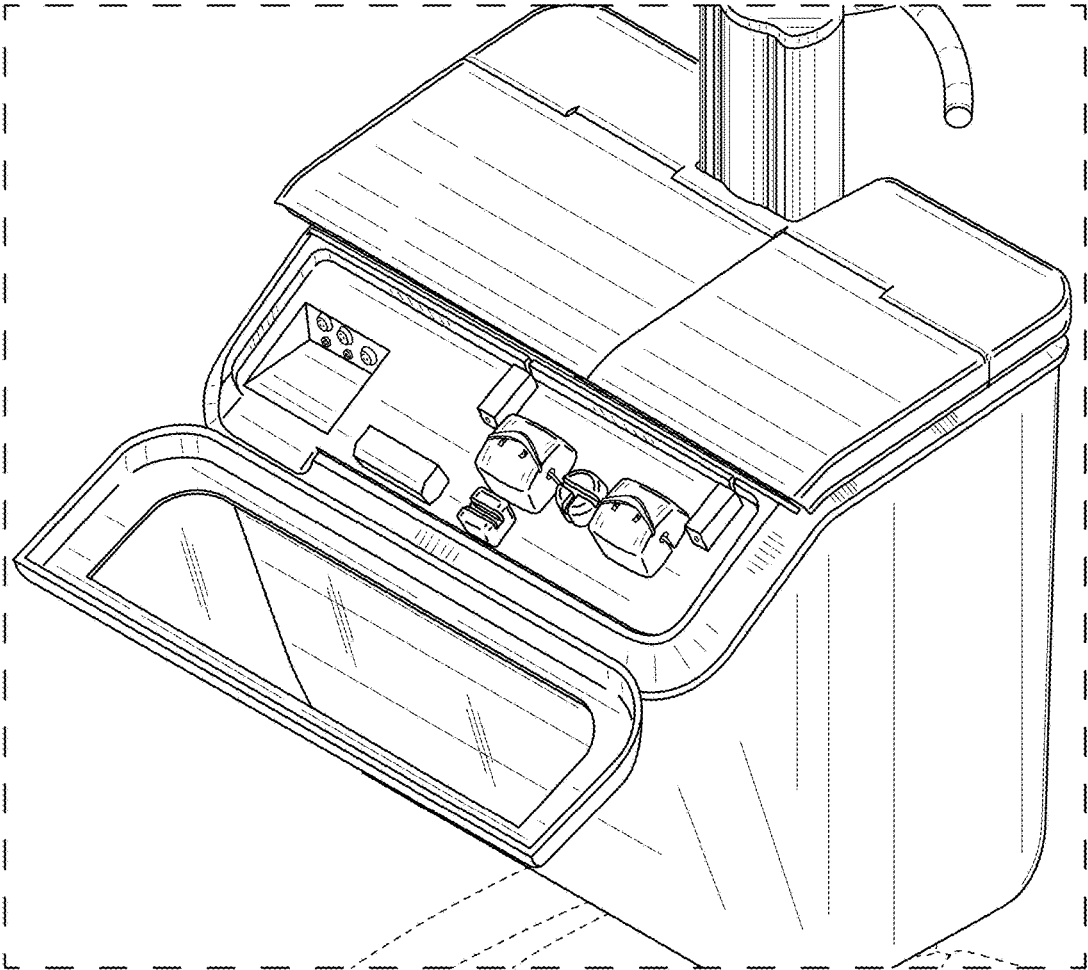


FIG. 8