



US00D617558S

(12) **United States Design Patent**  
**Myers**

(10) **Patent No.:** **US D617,558 S**

(45) **Date of Patent:** **\*\* Jun. 15, 2010**

(54) **SHOE BOX**

(76) Inventor: **Gracienne Santos Myers**, 116 Colgate Ct., Port Matilda, PA (US) 16870

(\*\*) Term: **14 Years**

(21) Appl. No.: **29/320,502**

(22) Filed: **Jun. 27, 2008**

(51) **LOC (9) Cl.** ..... **03-01**

(52) **U.S. Cl.** ..... **D3/302**

(58) **Field of Classification Search** ..... **D3/201,**  
**D3/273, 291, 294-295, 297, 302; D9/418,**  
**D9/430, 432; D6/436, 440, 449; 206/213,**  
**206/278, 278.1, 296, 459.5; 220/675, 367.1,**  
**220/532; 229/162.1**

See application file for complete search history.

(56) **References Cited**

**U.S. PATENT DOCUMENTS**

1,790,119	A *	1/1931	Stevens	229/120.37
1,970,751	A *	8/1934	Holbrook	229/120.1
3,063,550	A *	11/1962	Boden et al.	206/296
4,105,152	A *	8/1978	Elward	229/112
4,795,029	A *	1/1989	Campbell et al.	206/278
4,819,795	A *	4/1989	Swaney	206/278
D344,890	S *	3/1994	Townes	D9/418
D348,394	S *	7/1994	Dreyer	D9/425
D356,253	S *	3/1995	Bacchetti et al.	D9/418
5,509,170	A *	4/1996	LoFaro et al.	15/265
5,590,766	A *	1/1997	Carnahan et al.	206/296
D401,852	S *	12/1998	Teags	D9/431
D429,462	S *	8/2000	Kumakura et al.	D9/415
6,334,536	B1 *	1/2002	Kanning	206/521
D477,217	S *	7/2003	Riedi	D9/418

(Continued)

*Primary Examiner*—Philip S Hyder  
*Assistant Examiner*—Roselynnne Cody  
(74) *Attorney, Agent, or Firm*—John J. Elnitski, Jr.

(57) **CLAIM**

I claim the ornamental design for a shoe box, as shown and described.

**DESCRIPTION**

FIG. 1 is a perspective view of a shoe box according to a first embodiment of the present invention;

FIG. 2 is a perspective view of FIG. 1, showing the shoe box with lid open;

FIG. 3 is a side elevation view of the box portion only of FIG. 2;

FIG. 4 is a front elevation view of the box portion only of FIG. 2;

FIG. 5 is a top plan view of the box portion only of FIG. 2;

FIG. 6 is a bottom plan view of box portion only of FIG. 2;

FIG. 7 is a front elevation view of the lid of FIG. 2;

FIG. 8 is a side elevation view of the lid of FIG. 2;

FIG. 9 is a top plan view of the lid of FIG. 2;

FIG. 10 is a bottom plan view of the lid of FIG. 2;

FIG. 11 is a perspective view of a shoe box with gem according to a second embodiment of the present invention;

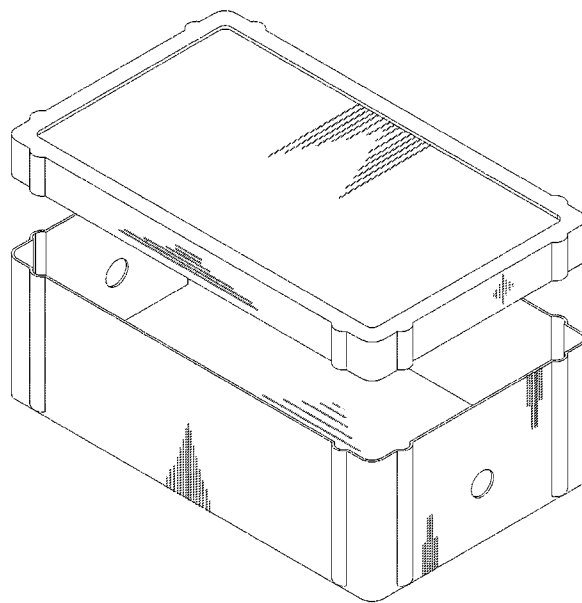
FIG. 12 is a perspective view of FIG. 11, showing a shoe box with lid open;

FIG. 13 is a front elevation view of the lid of FIG. 12;

FIG. 14 is a top plan view of the lid of FIG. 12; and,

FIG. 15 is a bottom plan view of the lid of FIG. 12.

**1 Claim, 15 Drawing Sheets**



# US D617,558 S

Page 2

---

## U.S. PATENT DOCUMENTS

D503,042	S *	3/2005	Gutierrez et al. ....	D3/302	D584,053	S *	1/2009	Abdo et al. ....	D3/302
D511,091	S *	11/2005	Liwag .....	D9/418	2002/0092787	A1 *	7/2002	Cheng .....	206/459.5
D515,810	S *	2/2006	Terwelp .....	D3/276	2005/0082179	A1 *	4/2005	Terwelp .....	206/278
D527,901	S *	9/2006	Selsted .....	D3/302	2006/0032765	A1 *	2/2006	Morhard et al. ....	206/278
7,147,125	B1 *	12/2006	Slovak et al. ....	220/592.2	2006/0185993	A1 *	8/2006	Wilskey et al. ....	206/278
D535,102	S *	1/2007	Matsuda .....	D3/302	2006/0231602	A1 *	10/2006	Mu et al. ....	229/125.015
D542,129	S *	5/2007	Moorman .....	D9/431	2006/0283733	A1 *	12/2006	Masa .....	206/278
7,249,674	B2 *	7/2007	Mu et al. ....	206/278.1	2007/0227929	A1 *	10/2007	Mauerhan et al. ....	206/488

\* cited by examiner

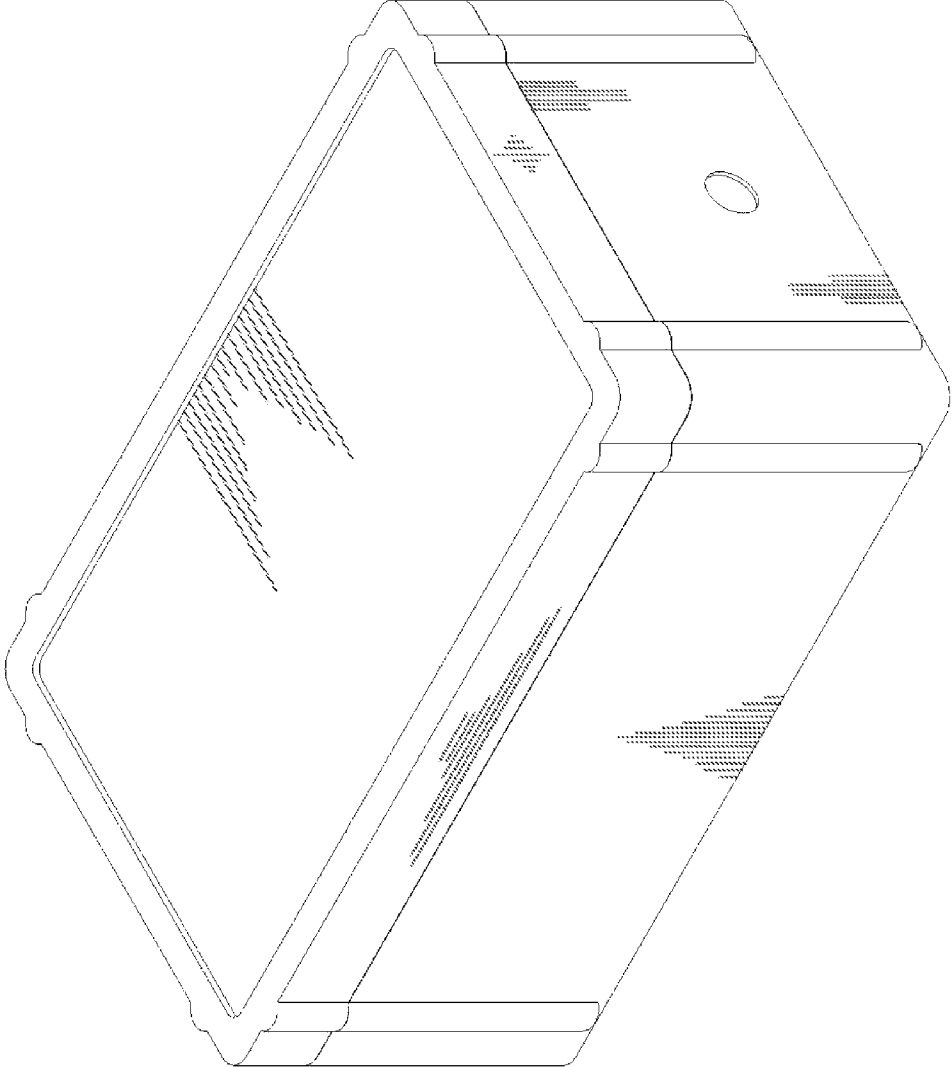


FIG 1

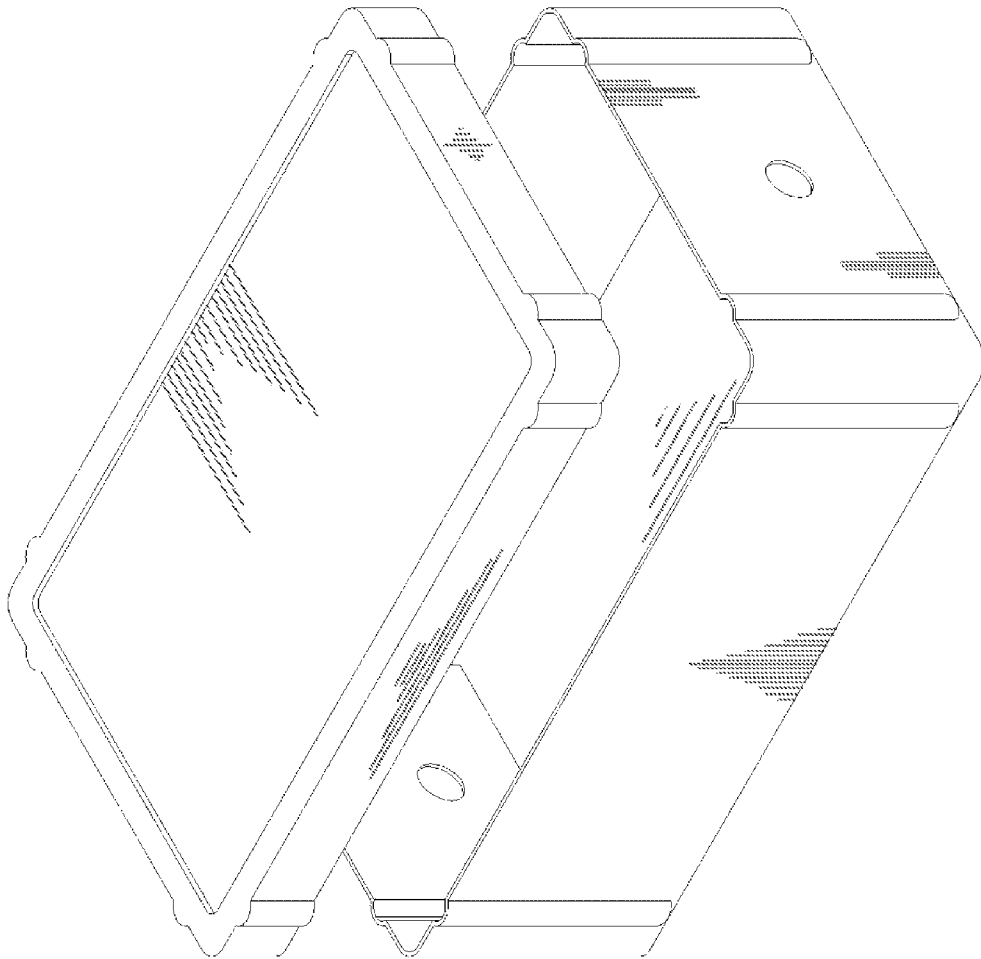


FIG 2

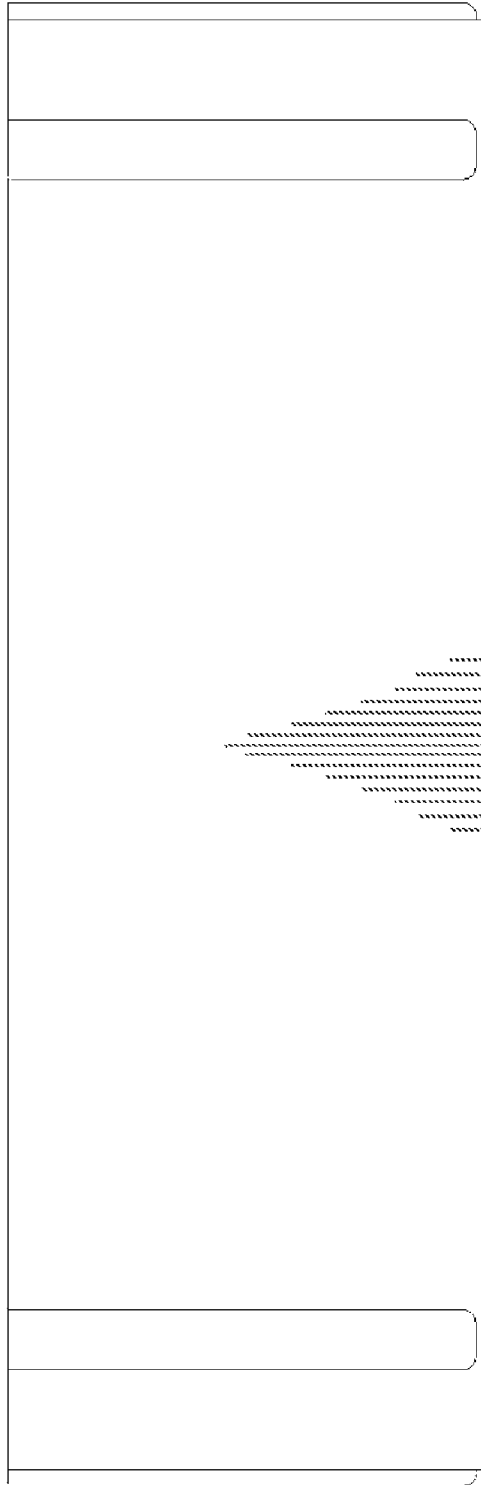


FIG 3

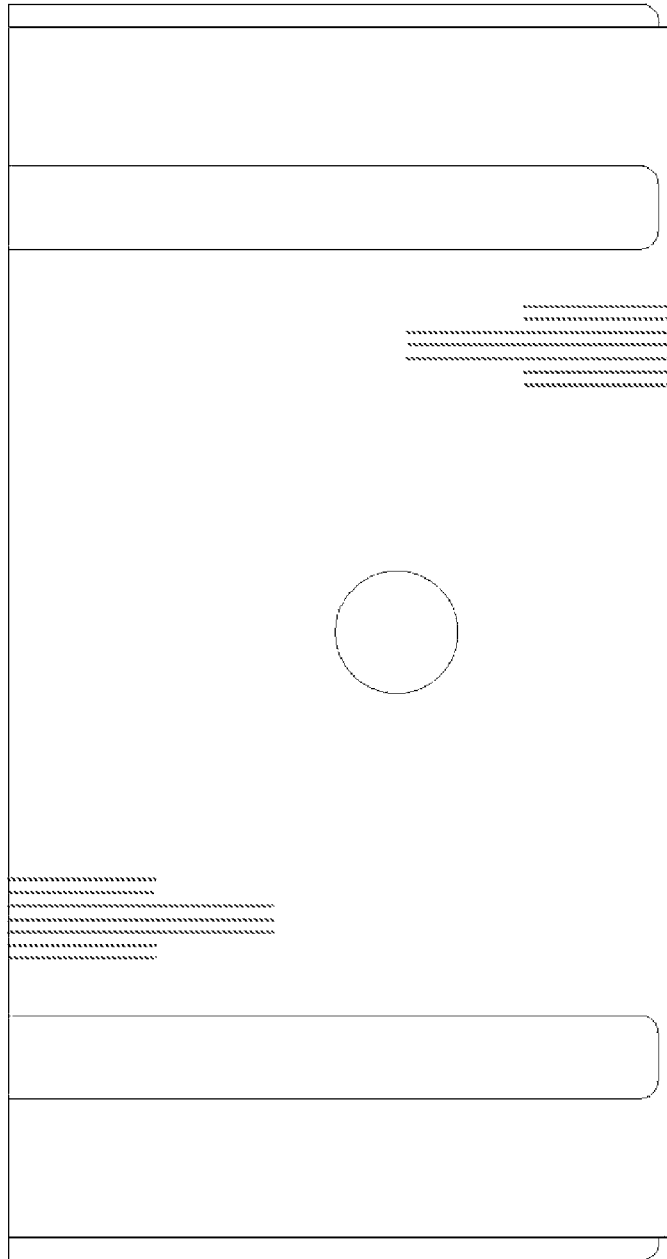


FIG 4

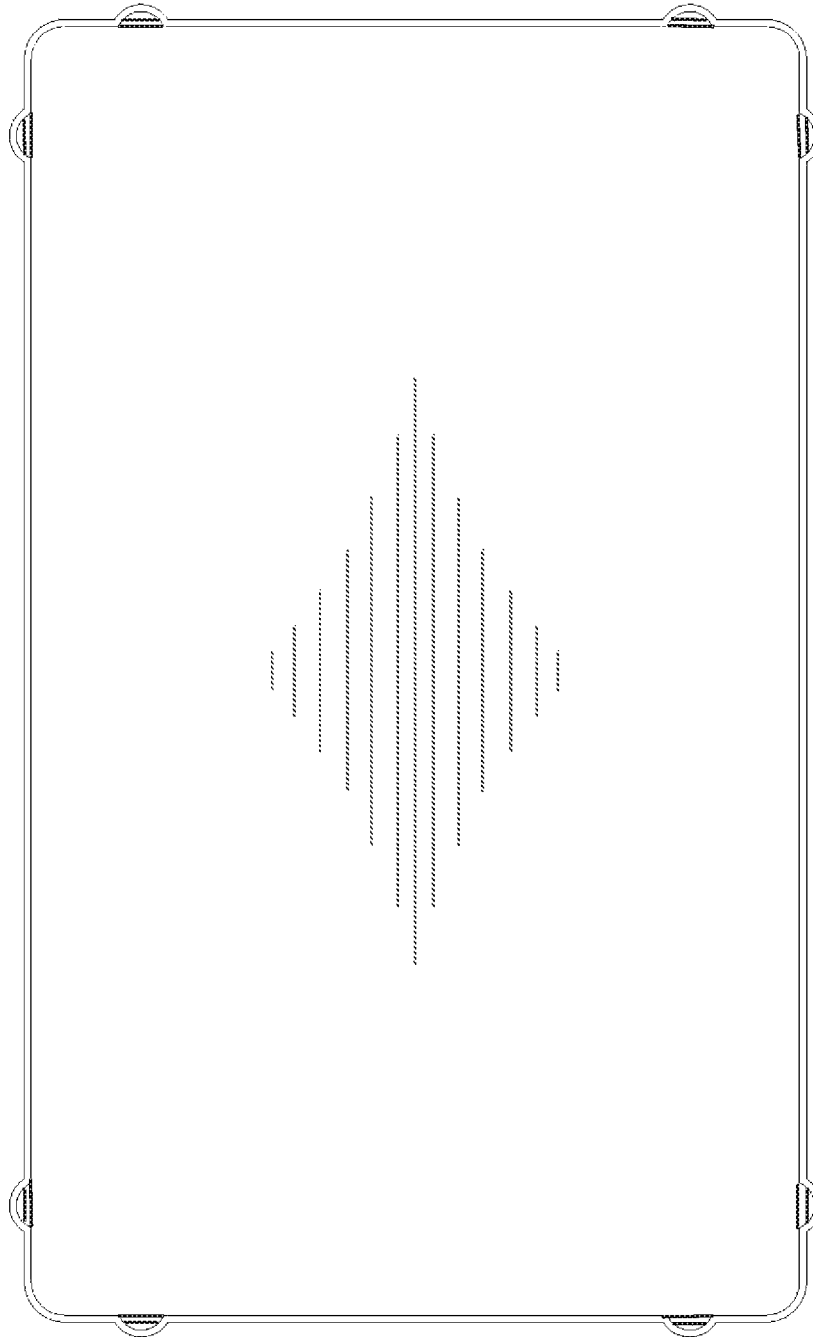


FIG 5

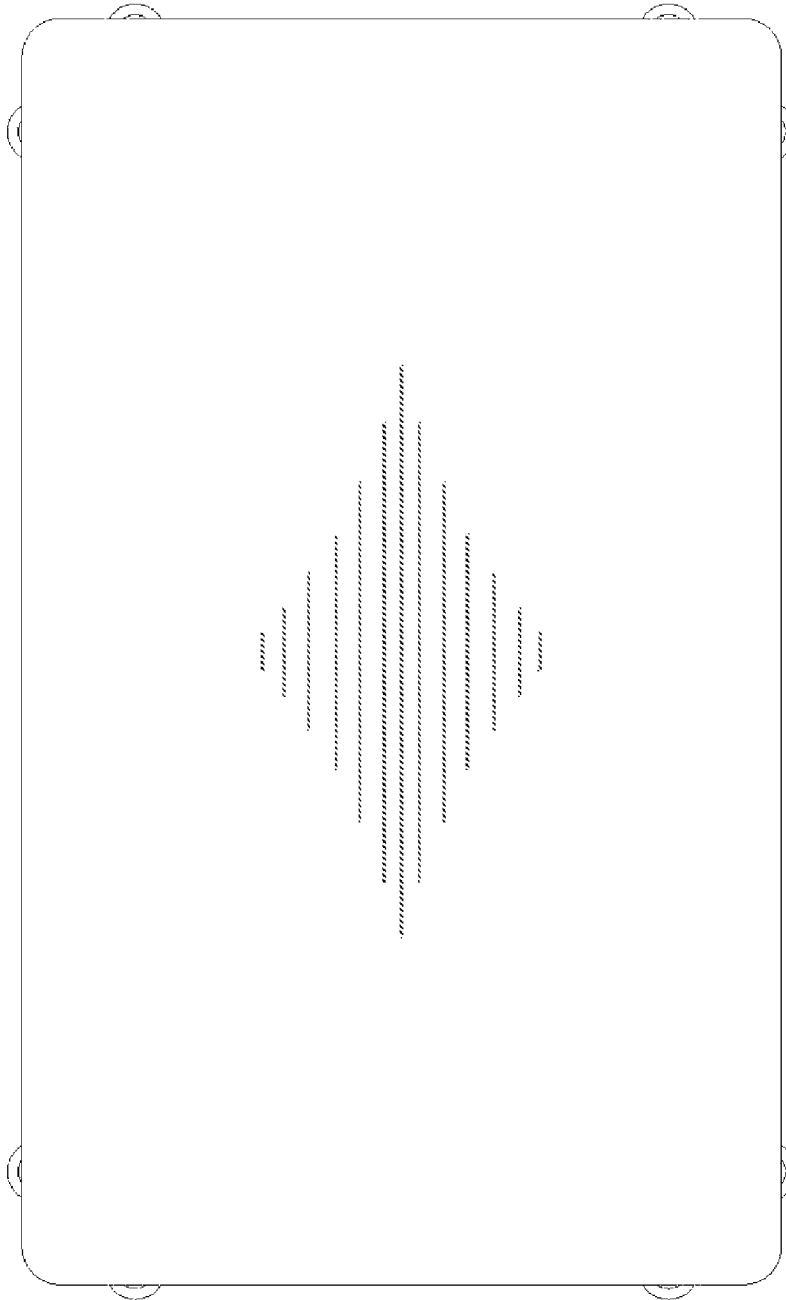


FIG 6



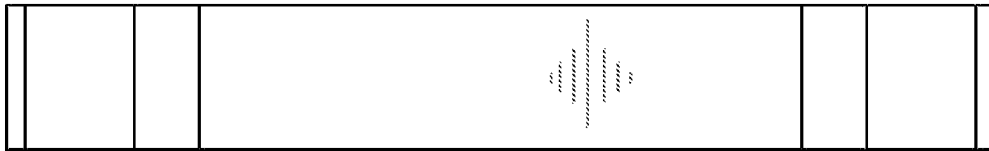


FIG 7

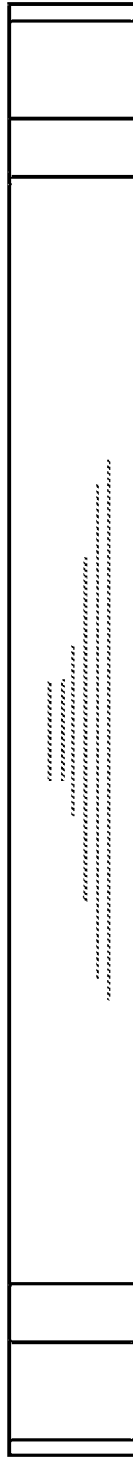


FIG 8

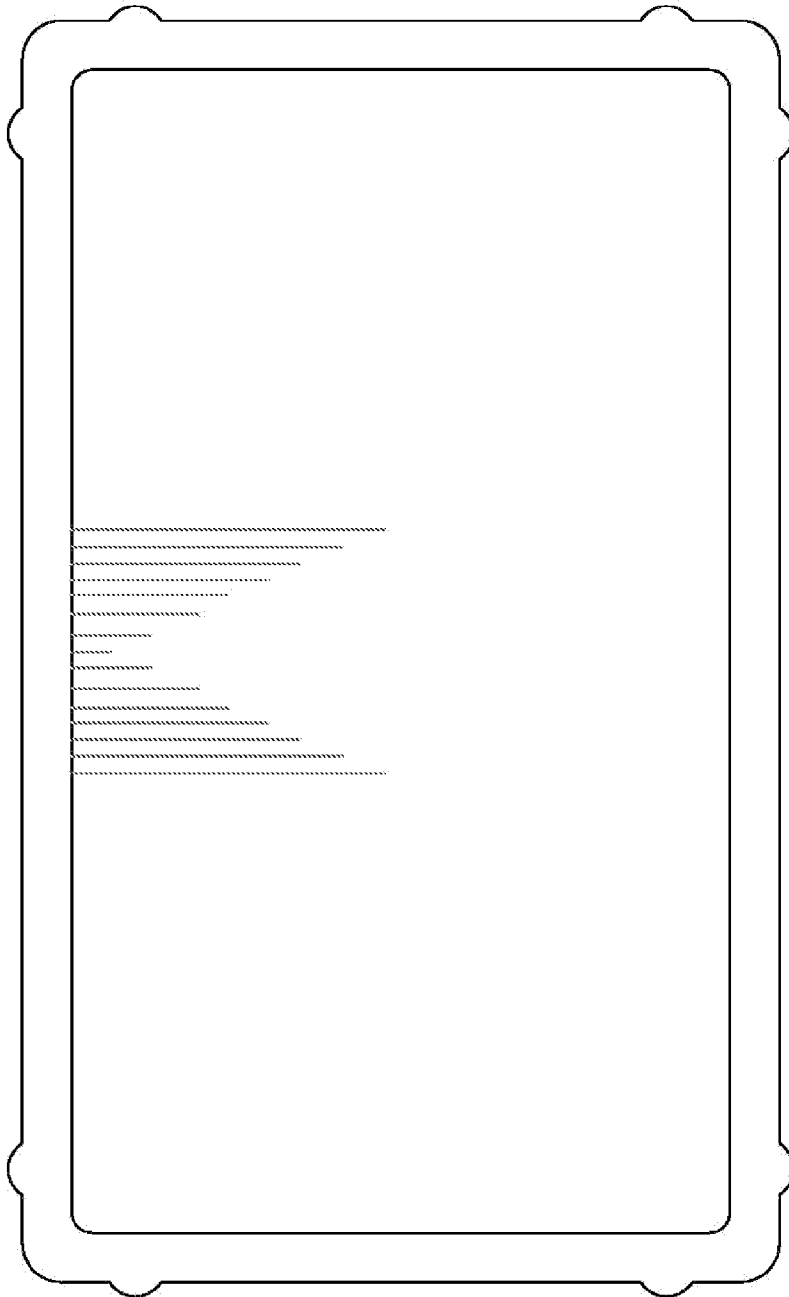


FIG 9

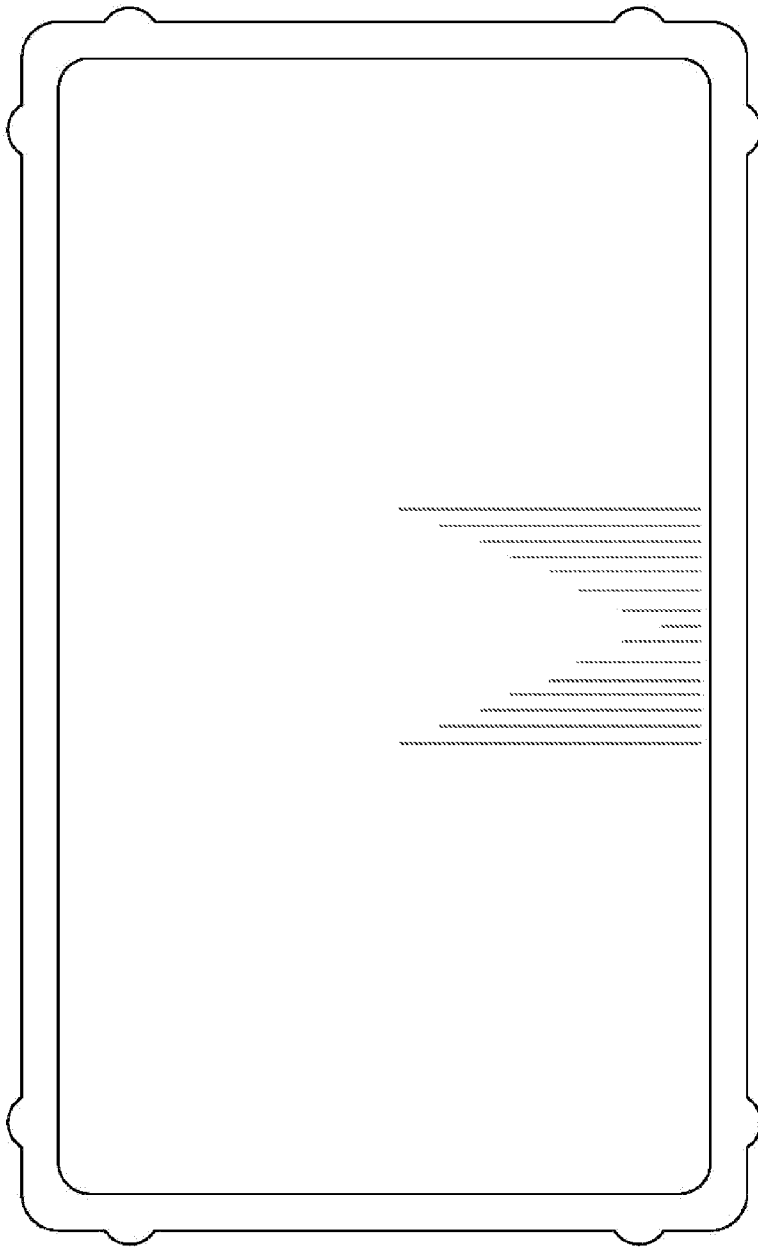


FIG 10

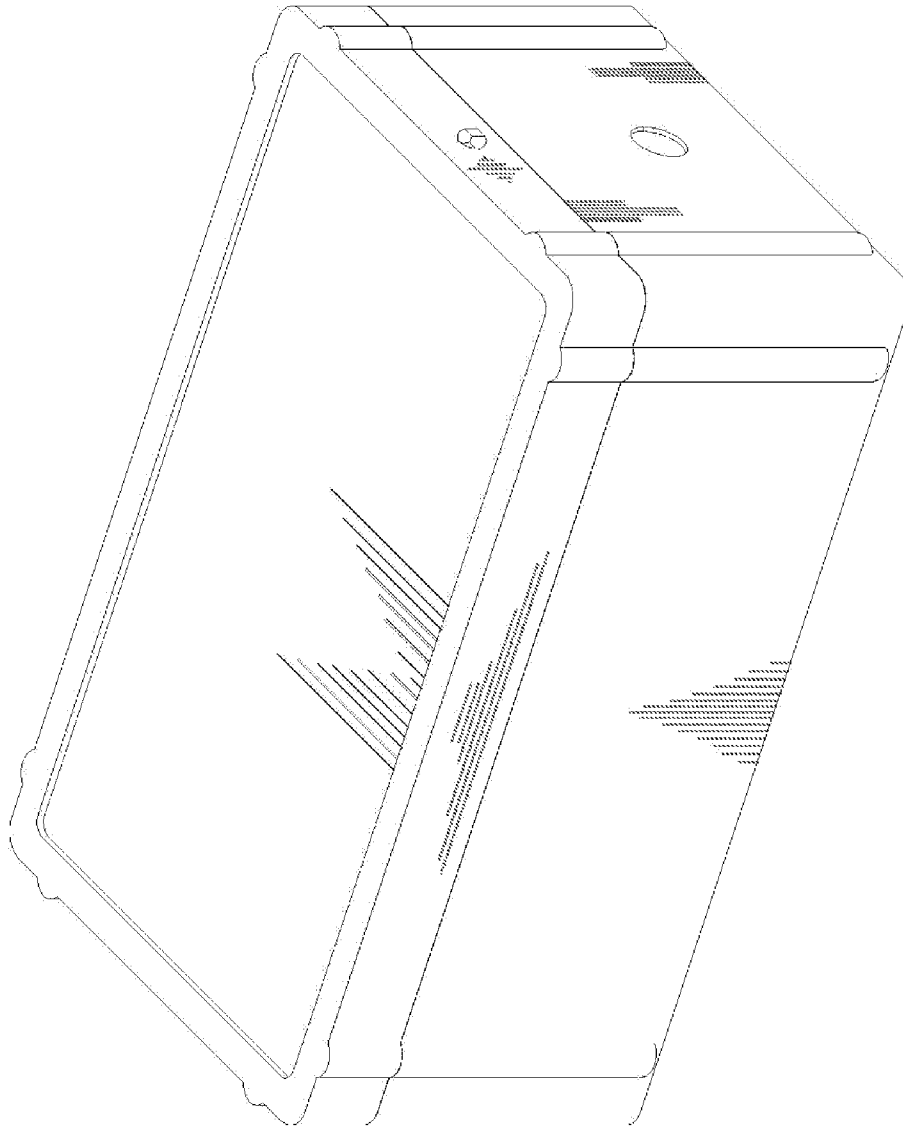


FIG 11

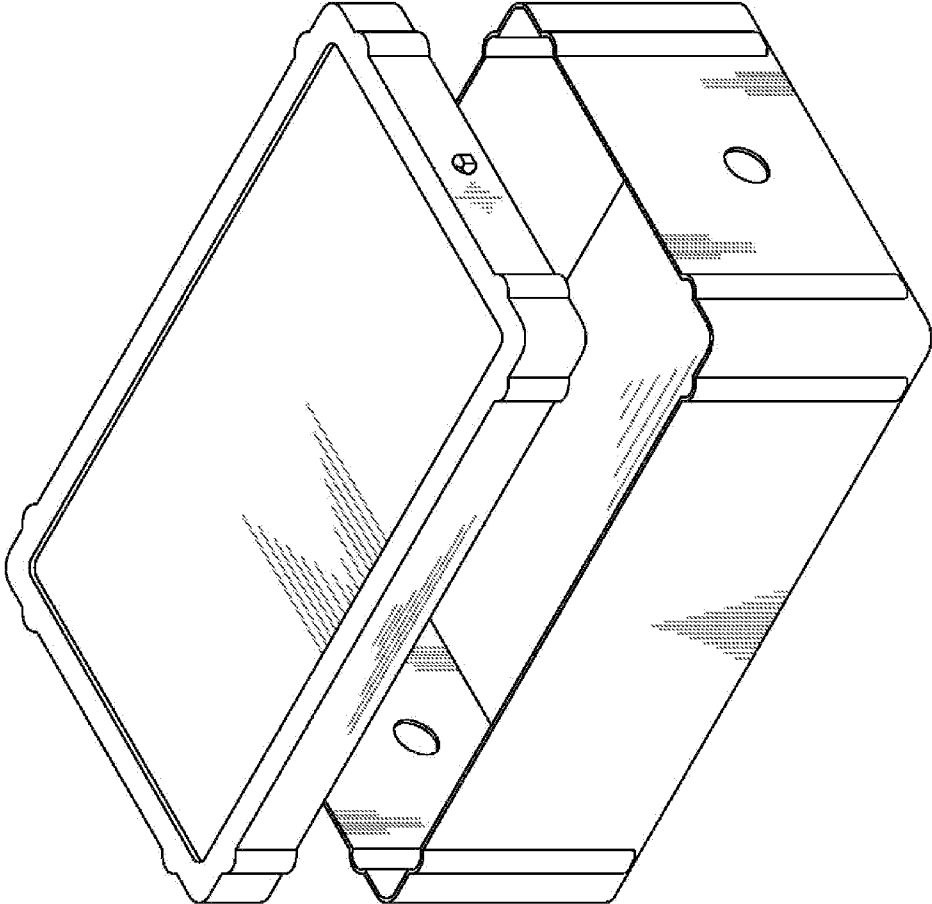


FIG 12

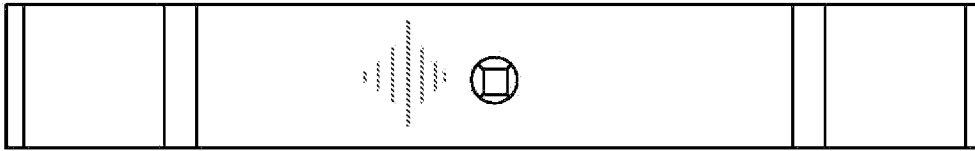


FIG 13

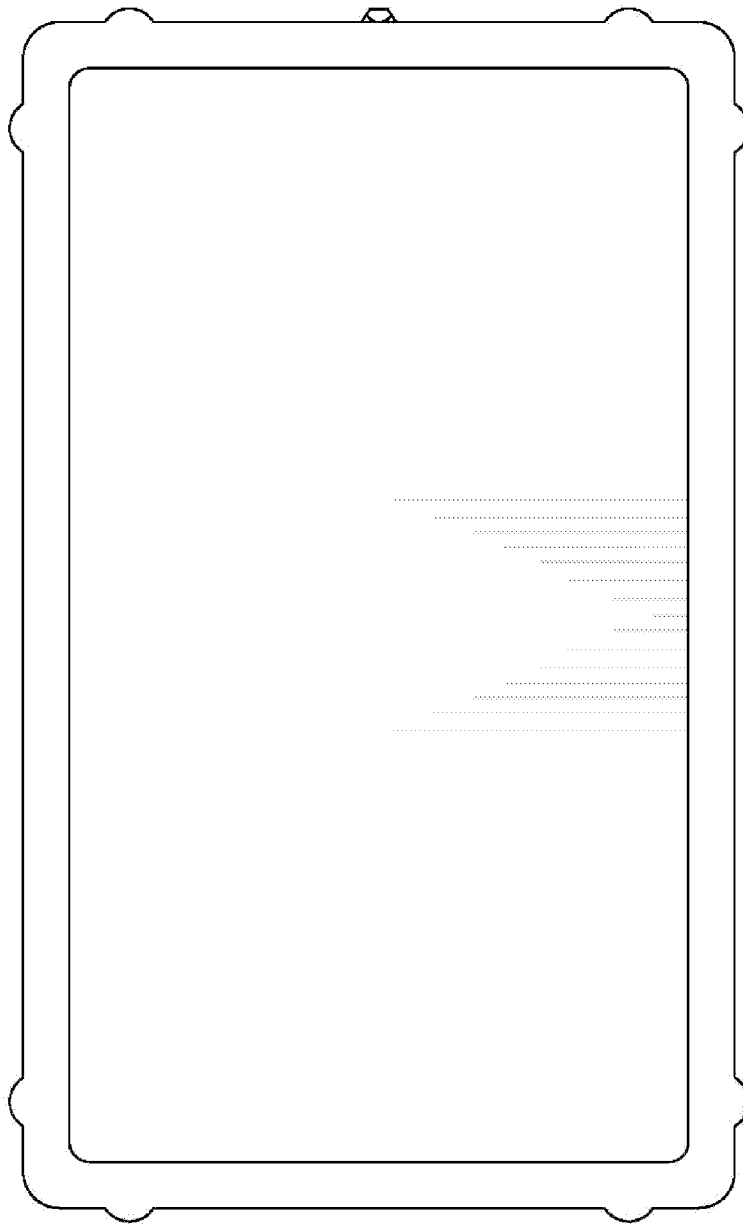


FIG 14



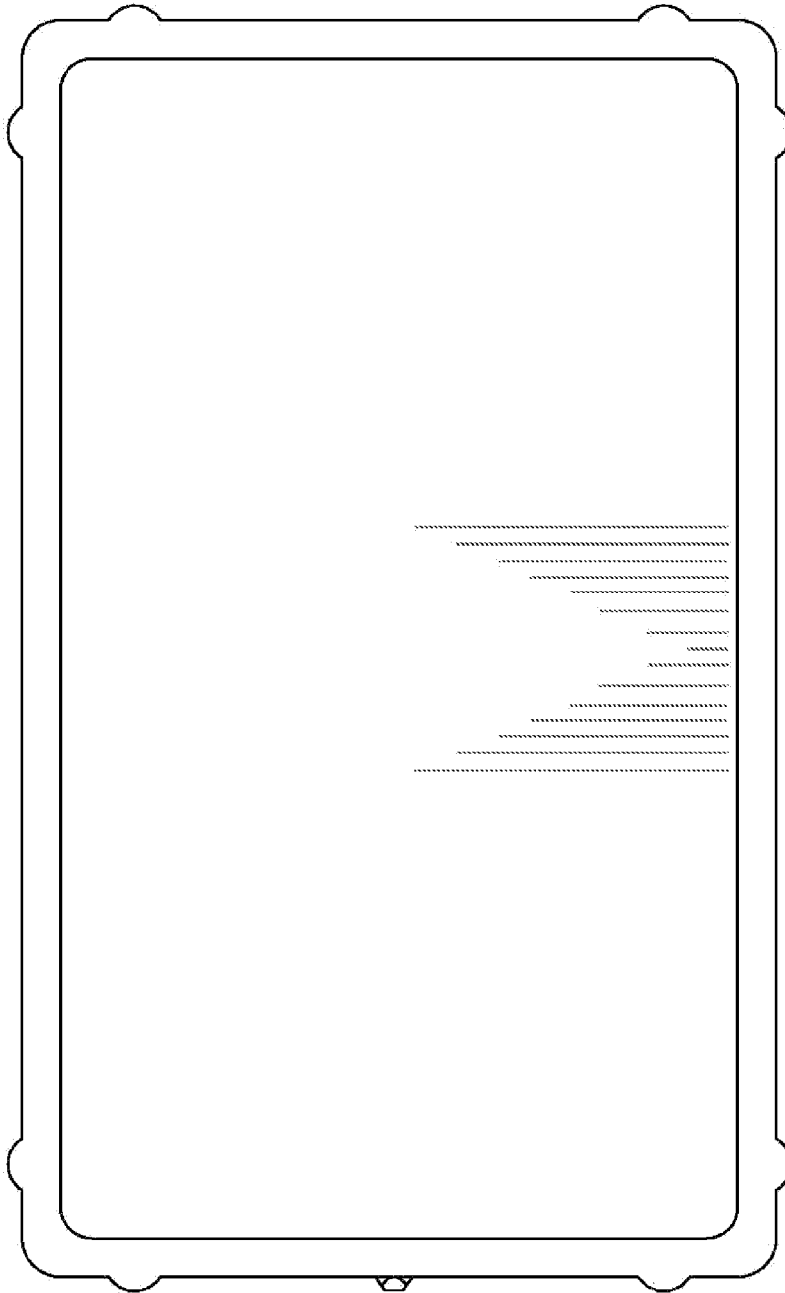


FIG 15