



US00D785565S

(12) **United States Design Patent**
Xu

(10) **Patent No.:** **US D785,565 S**

(45) **Date of Patent:** **** May 2, 2017**

(54) **INVERTER**

(71) Applicant: **Guangdong BESTEK E-commerce Co., Ltd.**, Shenzhen (CN)

(72) Inventor: **Xinhua Xu**, Shenzhen (CN)

(73) Assignee: **GUANGDONG BESTEK E-COMMERCE CO., LTD.** (CN)

(**) Term: **15 Years**

(21) Appl. No.: **29/535,949**

(22) Filed: **Aug. 12, 2015**

(51) **LOC (10) Cl.** **13-02**

(52) **U.S. Cl.**
USPC **D13/110**

(58) **Field of Classification Search**

USPC D13/110, 108, 118, 123, 162, 168, 169,
D13/174, 177, 184, 199; D14/257, 432,
D14/438; 174/16.3, 17 R, 17.08;
361/600, 601, 690, 694, 695, 679.01,
361/679.61, 704, 730; 363/141, 142
CPC H05K 5/00; H05K 5/02; H05K 5/0247;
H05K 7/00; H05K 7/20; H05K 7/20136;
H05K 7/20154; H05K 7/209; H02M 7/00;
H02M 7/003; H02M 2001/009; H02J
7/0042; Y10T 307/367

See application file for complete search history.

(56) **References Cited**

U.S. PATENT DOCUMENTS

5,949,640 A * 9/1999 Cameron H02M 7/003
361/600
D427,146 S * 6/2000 Wei D13/110

D427,148 S * 6/2000 Wei D13/110
D427,969 S * 7/2000 Wei D13/110
D558,142 S * 12/2007 Cho D13/110
D562,235 S * 2/2008 Hussaini D13/110
7,483,272 B2 * 1/2009 Hussaini H02J 7/0042
174/50
D627,719 S * 11/2010 DuMelle D13/110
D693,298 S * 11/2013 Inskeep D13/110
D701,490 S * 3/2014 Inskeep D13/110
D719,508 S * 12/2014 Byrne D13/110

* cited by examiner

Primary Examiner — Derrick Holland

(74) *Attorney, Agent, or Firm* — Garcia-Zamor IP Law;
Ruy M. Garcia-Zamor

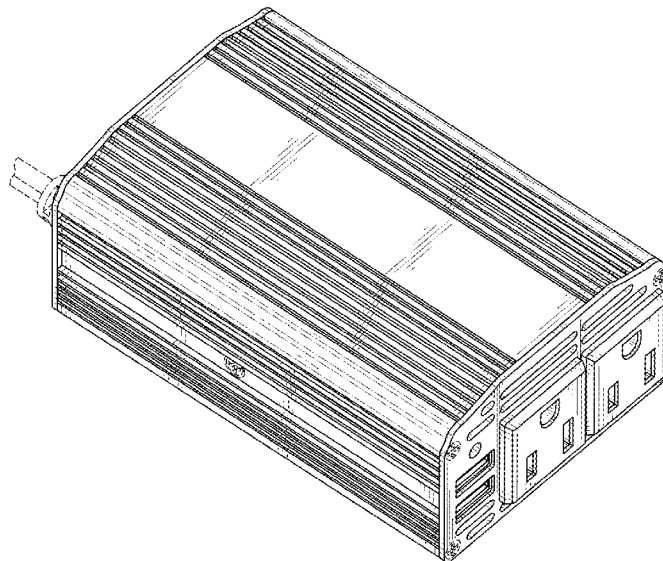
(57) **CLAIM**

The ornamental design for an inverter, as shown and described.

DESCRIPTION

FIG. 1 is a perspective view of an inverter showing my new design;
FIG. 2 is a front elevational view thereof;
FIG. 3 is a rear elevational view thereof;
FIG. 4 is a left side elevational view thereof;
FIG. 5 is a right side elevational view thereof;
FIG. 6 is a top plan view thereof; and,
FIG. 7 is a bottom plan view thereof.
The broken lines shown represent unclaimed subject matter and form no part of the claimed design.

1 Claim, 7 Drawing Sheets



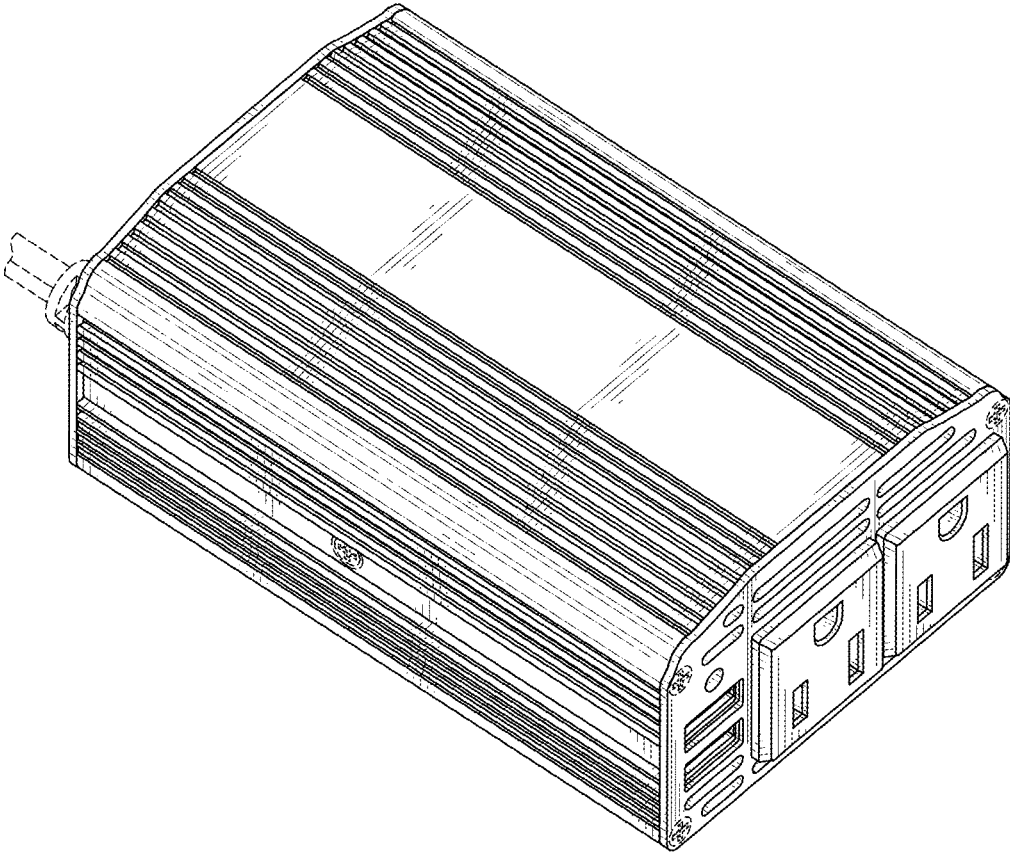


FIG. 1

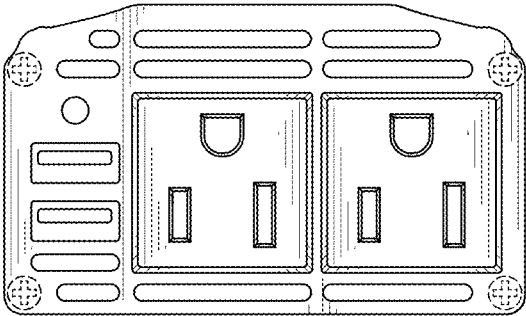


FIG. 2

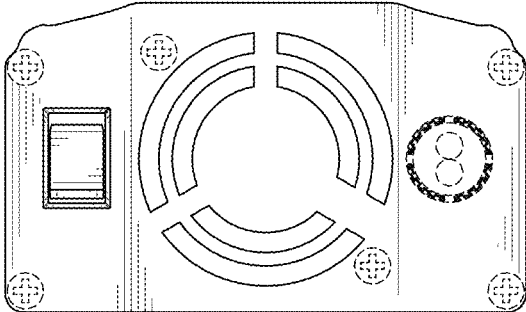


FIG. 3

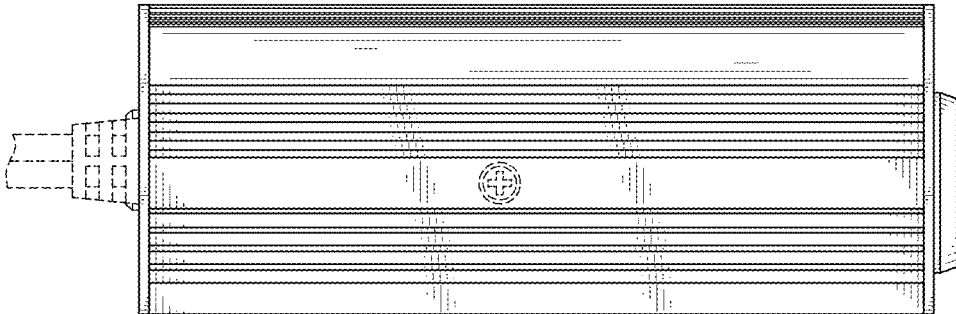


FIG. 4

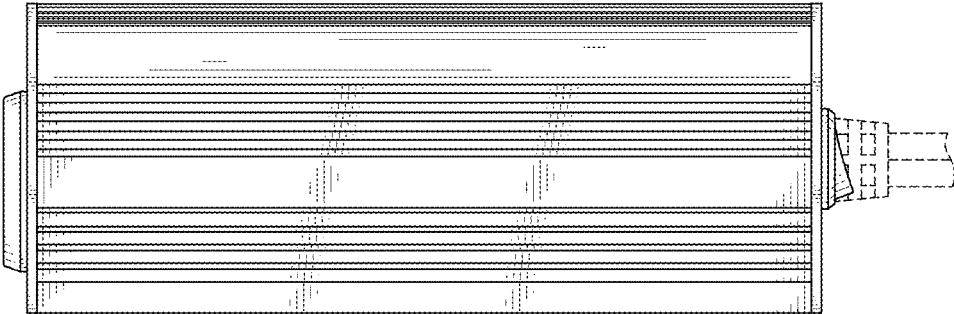


FIG. 5

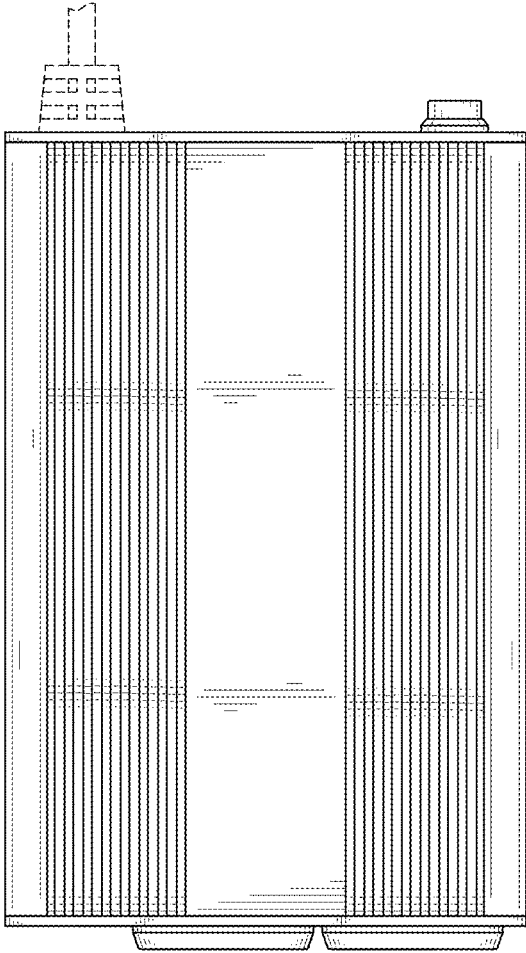


FIG. 6

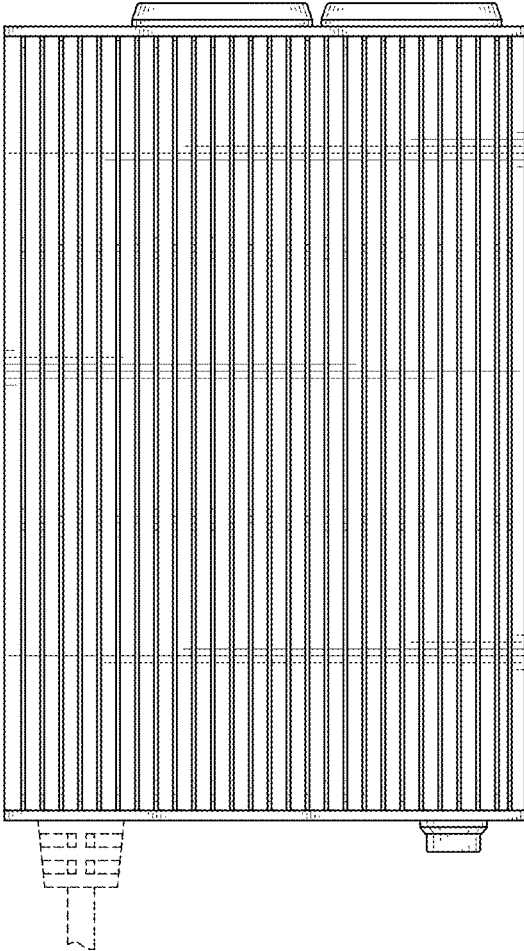


FIG. 7