



US00D858266S

(12) **United States Design Patent**
Bowman et al.

(10) **Patent No.:** **US D858,266 S**
(45) **Date of Patent:** **** Sep. 3, 2019**

- (54) **HINGED COUPLING**
- (71) Applicant: **Victaulic Company**, Easton, PA (US)
- (72) Inventors: **Matthew A. Bowman**, Palmer, PA (US); **Philip Wayne Bancroft**, Belvidere, NJ (US); **Kathryn E. Yovanovich**, Nazareth, PA (US); **Alan M. Yesavage**, Lenhartsville, PA (US); **Ahmad Sith**, Bethlehem, PA (US); **Scott D. Madara**, Nazareth, PA (US)
- (73) Assignee: **Victaulic Company**, Easton, PA (US)
- (**) Term: **15 Years**
- (21) Appl. No.: **29/624,023**
- (22) Filed: **Oct. 30, 2017**

D568,970 S * 5/2008 Gibb D23/262
 7,500,643 B2* 3/2009 Leone F16L 3/10
 248/56
 D595,815 S * 7/2009 Pierce D23/262
 (Continued)

FOREIGN PATENT DOCUMENTS

KR 300881898-0000 * 11/2016

OTHER PUBLICATIONS

Repair Clamp Hinge | Enxia, website copyright 2018, <http://www.enxia.fi/products/yn-couplings/repair-clamp-hinge/?lang=en>, site visited May 12, 2018.*

(Continued)

Primary Examiner — John Windmuller
Assistant Examiner — John R Yeh
(74) *Attorney, Agent, or Firm* — Ballard Spahr LLP

(57) **CLAIM**

We claim the ornamental design for a hinged coupling, as shown and described.

DESCRIPTION

FIG. 1 is an isometric view of our design for a hinged coupling;
 FIG. 2 is a front view of the design of the hinged coupling shown in FIG. 1;
 FIG. 3 is a rear view of the design of the hinged coupling shown in FIG. 1;
 FIG. 4 is a bottom view of the design of the hinged coupling shown in FIG. 1;
 FIG. 5 is a top view of the design of the hinged coupling shown in FIG. 1; and
 FIG. 6 is a left side view of the design of the hinged coupling shown in FIG. 1, the right side view being a mirror image thereof.
 The broken lines depict portions of the hinged coupling that form no part of the claimed design.

1 Claim, 4 Drawing Sheets

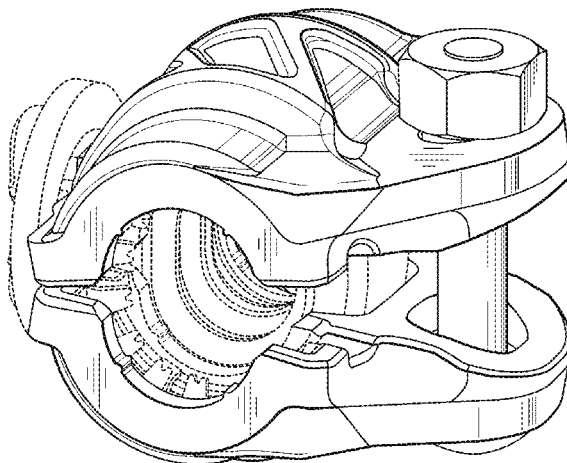
Related U.S. Application Data

- (62) Division of application No. 29/581,924, filed on Oct. 24, 2016, now Pat. No. Des. 813,657.
- (51) **LOC (12) Cl.** **08-08**
- (52) **U.S. Cl.**
USPC **D8/395**; D23/262
- (58) **Field of Classification Search**
USPC D8/394–396, 71–72, 79; D23/262–265; D25/199; D12/415
CPC F16L 3/1075; F16L 3/2336; F16L 3/12; F16L 55/18; F16L 21/06; F16L 17/00; F16L 23/00; F16B 11/006; F16B 5/06; A44C 5/22; A42B 3/14; B65H 59/00
See application file for complete search history.

References Cited

U.S. PATENT DOCUMENTS

5,384,936 A * 1/1995 Van Walraven F16L 3/12
 24/279
 D536,958 S * 2/2007 Ruhlander D8/396
 D568,451 S * 5/2008 Gibb D23/262



(56)

References Cited

U.S. PATENT DOCUMENTS

D598,077	S *	8/2009	Gibb	D23/265
D608,868	S *	1/2010	Porter	D23/262
D616,533	S *	5/2010	Bowman	D23/262
D621,916	S *	8/2010	Porter	D23/262
D626,202	S *	10/2010	Porter	D23/262
D629,077	S *	12/2010	Porter	D23/262
D629,078	S *	12/2010	Dole	D23/262
8,286,923	B2 *	10/2012	Kobayashi	B60R 16/0215 24/530
D680,630	S *	4/2013	Beagen, Jr.	D23/262
D729,356	S *	5/2015	Kuehner	D23/262
D735,025	S *	7/2015	Mathien	D8/396
D784,799	S *	4/2017	Toll	D8/396
D789,779	S *	6/2017	Asai	B60R 16/0215 D8/396
D804,942	S *	12/2017	Toll	D8/396
D805,888	S *	12/2017	De Los Santos	D8/396
D807,137	S *	1/2018	Whitaker	D8/72
D813,025	S *	3/2018	Yesavage	D8/395
D813,657	S *	3/2018	Bowman	D8/395
2017/0227141	A1 *	8/2017	Toll	F16L 3/1075
2018/0072248	A1 *	3/2018	Ohashi	B60R 16/0215

OTHER PUBLICATIONS

Style 99 Plain End Roust-A-Bout Coupling, website 2018, <http://www.iac-intl.com/product/style-99-plain-end-roust-a-bout-coupling/>, site visited May 12, 2018.*

Youtube Ratchet P Clamp video publish date 2018, site visited May 12, 2018, <https://www.youtube.com/watch?v=UyLKOWQ9aKg>.*

* cited by examiner

FIG. 1

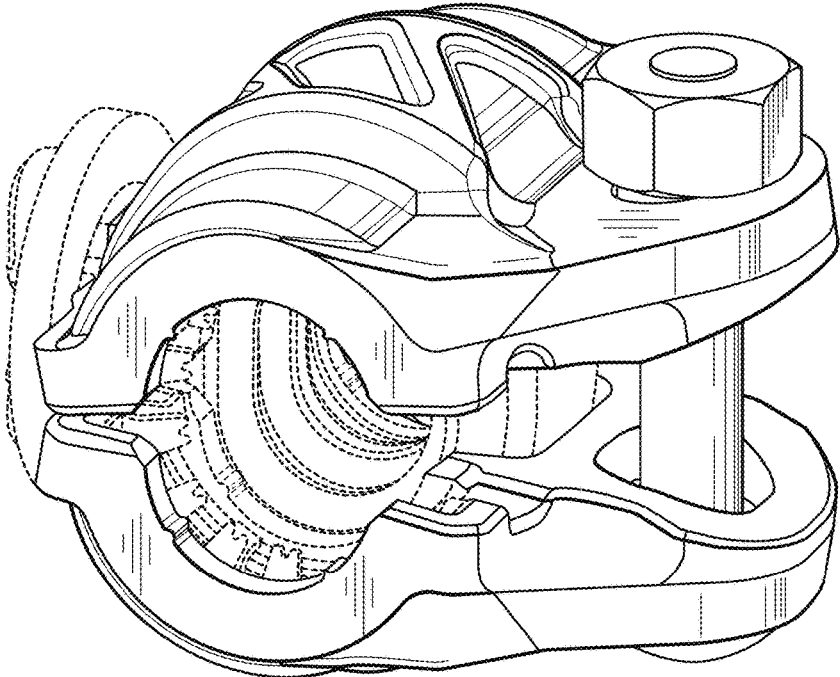


FIG. 2

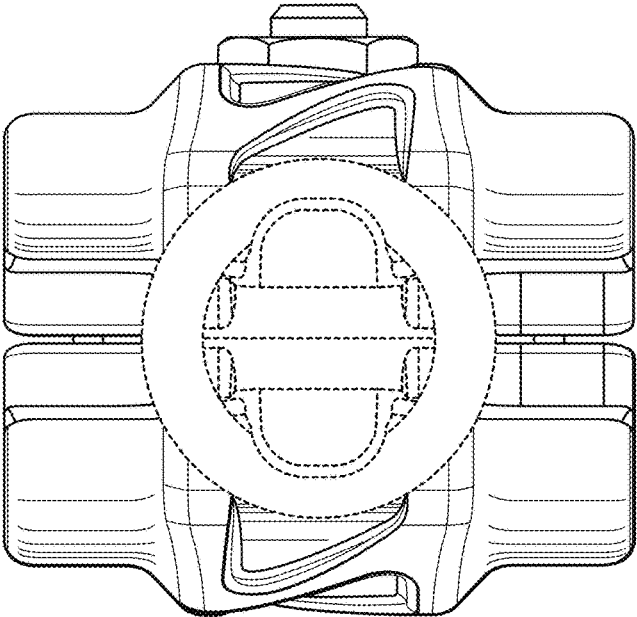
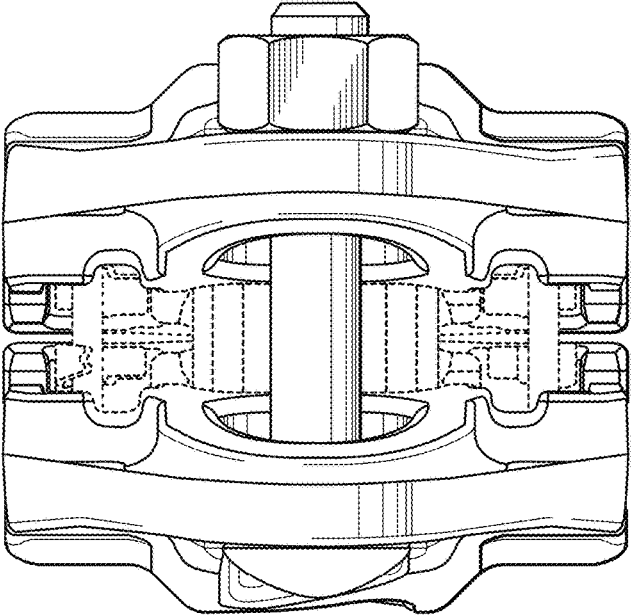


FIG. 3

FIG. 4

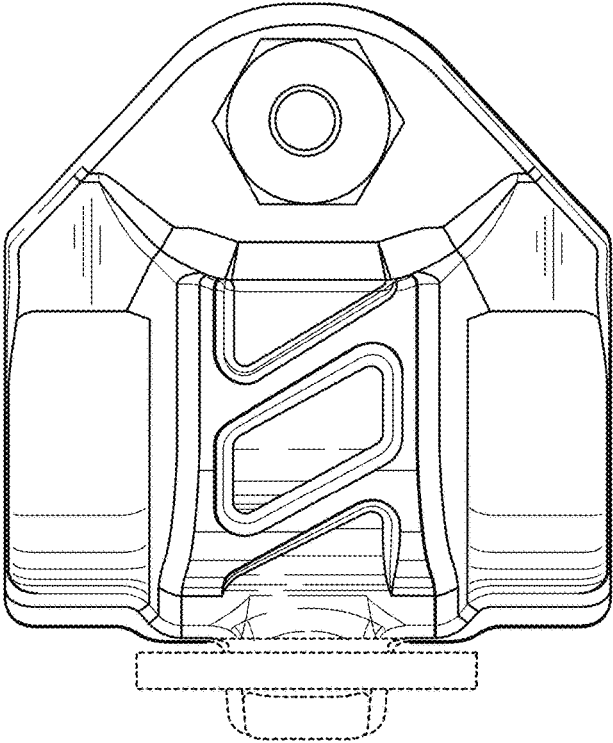


FIG. 5

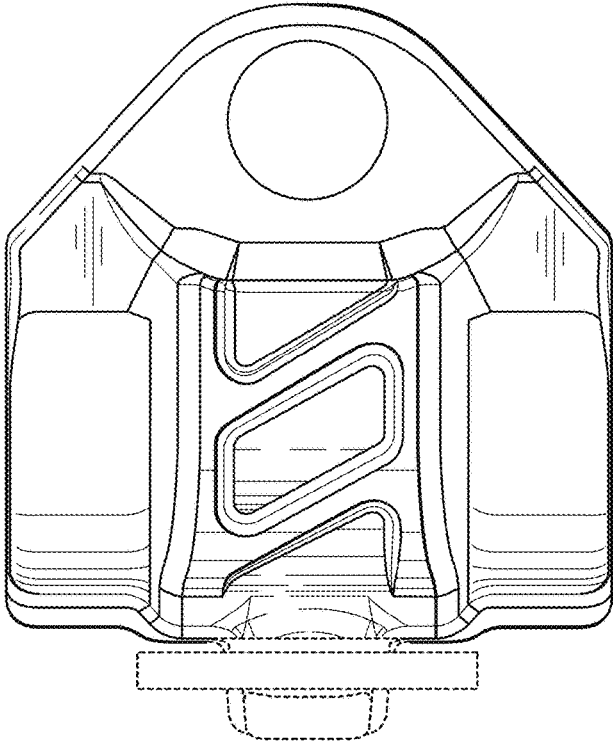


FIG. 6

