



US0D1002892S

(12) **United States Design Patent**
Jin

(10) **Patent No.:** **US D1,002,892 S**

(45) **Date of Patent:** **** Oct. 24, 2023**

- (54) **LASER PROJECTOR LAMP**
- (71) Applicant: **Ningbo Xingsheng Photoelectric Technology Co., LTD**, Ningbo (CN)
- (72) Inventor: **Kaixing Jin**, Ningbo (CN)
- (73) Assignee: **Ningbo Xingsheng Photoelectric Technology Co., LTD**, Ningbo (CN)
- (**) Term: **15 Years**

D645,593	S	*	9/2011	Janssen	D26/63
D670,846	S	*	11/2012	Ramirez	D26/63
D754,241	S	*	4/2016	Ferro	D26/63
D775,754	S	*	1/2017	Jepson	D26/63
D795,478	S	*	8/2017	Goetz-Schaefer	D26/63
D795,479	S	*	8/2017	Goetz-Schaefer	D26/63
D795,480	S	*	8/2017	Goetz-Schaefer	D26/63
D799,093	S	*	10/2017	Terumichi	D26/63
D800,363	S	*	10/2017	Terumichi	F21V 21/30
						D26/63
D812,279	S	*	3/2018	Price	D26/63
D812,280	S	*	3/2018	Lechtenberg	D26/63
D821,624	S	*	6/2018	Huyghe	D26/63

(Continued)

(21) Appl. No.: **29/831,704**

(22) Filed: **Mar. 22, 2022**

(30) **Foreign Application Priority Data**

Mar. 2, 2022 (CN) 202230103277.2

(51) **LOC (14) Cl.** **26-05**
(52) **U.S. Cl.**

USPC **D26/63**

(58) **Field of Classification Search**

USPC D26/44, 61, 63, 64, 66, 67, 72, 73, 81,
D26/83, 85, 92, 102, 118, 119, 124
CPC F21W 2131/10; F21W 2131/30; F21W
2131/40; F21W 2131/101; F21W
2131/107; F21W 2131/301; F21W
2131/1005; F21V 21/00; F21V 21/02;
F21V 21/03; F21V 21/10; F21V 21/26;
F21V 21/28; F21V 21/30; F21V 29/74;
F21V 29/75

See application file for complete search history.

(56) **References Cited**

U.S. PATENT DOCUMENTS

D566,873	S	*	4/2008	Grundl	D26/63
7,494,251	B1	*	2/2009	Kira	F21V 29/15
						362/418
D587,832	S	*	3/2009	Bergmann	D26/63
D640,816	S	*	6/2011	You	D26/63

OTHER PUBLICATIONS

Leelands Landscape Lighting Moonlight, Outdoor Landscape Downlights; Retrieved from Amazon.com at <https://www.amazon.com/Leelands-Downlights-Replaceable-Down-Lights/dp/B0C61YSSCR>; Retrieved on Jul. 28, 2023; First available on Jun. 6, 2023 (Year: 2023).*

Primary Examiner — Clint A Samuel

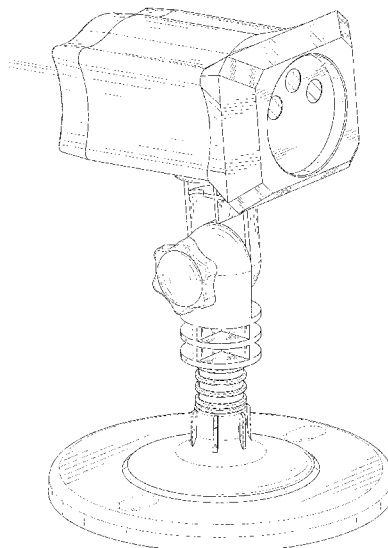
(57) **CLAIM**

The ornamental design for a laser projector lamp, as shown and described.

DESCRIPTION

FIG. 1 is a front, left and top perspective view of a laser projector lamp showing my new design;
 FIG. 2 is a right, rear and bottom perspective view thereof;
 FIG. 3 is a front view thereof;
 FIG. 4 is a rear view thereof;
 FIG. 5 is a left side view thereof;
 FIG. 6 is a right side view thereof;
 FIG. 7 is a top plan view thereof; and,
 FIG. 8 is a bottom plan view thereof.
 The broken lines in the figures illustrate portions of the laser projector lamp that form no part of the claimed design.

1 Claim, 8 Drawing Sheets



(56)

References Cited

U.S. PATENT DOCUMENTS

D821,625 S * 6/2018 Couvreur D26/63
D859,717 S * 9/2019 Martinez Weber D26/63
D866,034 S * 11/2019 Fujisawa D26/141
D879,346 S * 3/2020 Oguchi D26/124
D887,057 S * 6/2020 Healey D26/63
D889,014 S * 6/2020 Yin D26/63
D910,219 S * 2/2021 Frost D26/63
D912,868 S * 3/2021 Morán D26/66
D922,647 S * 6/2021 De Laeter D26/63
D971,473 S * 11/2022 Gao D26/63
D972,761 S * 12/2022 Zheng D26/63
D982,801 S * 4/2023 Wu D26/63
2018/0119925 A1 * 5/2018 Yamae F21V 5/004

* cited by examiner

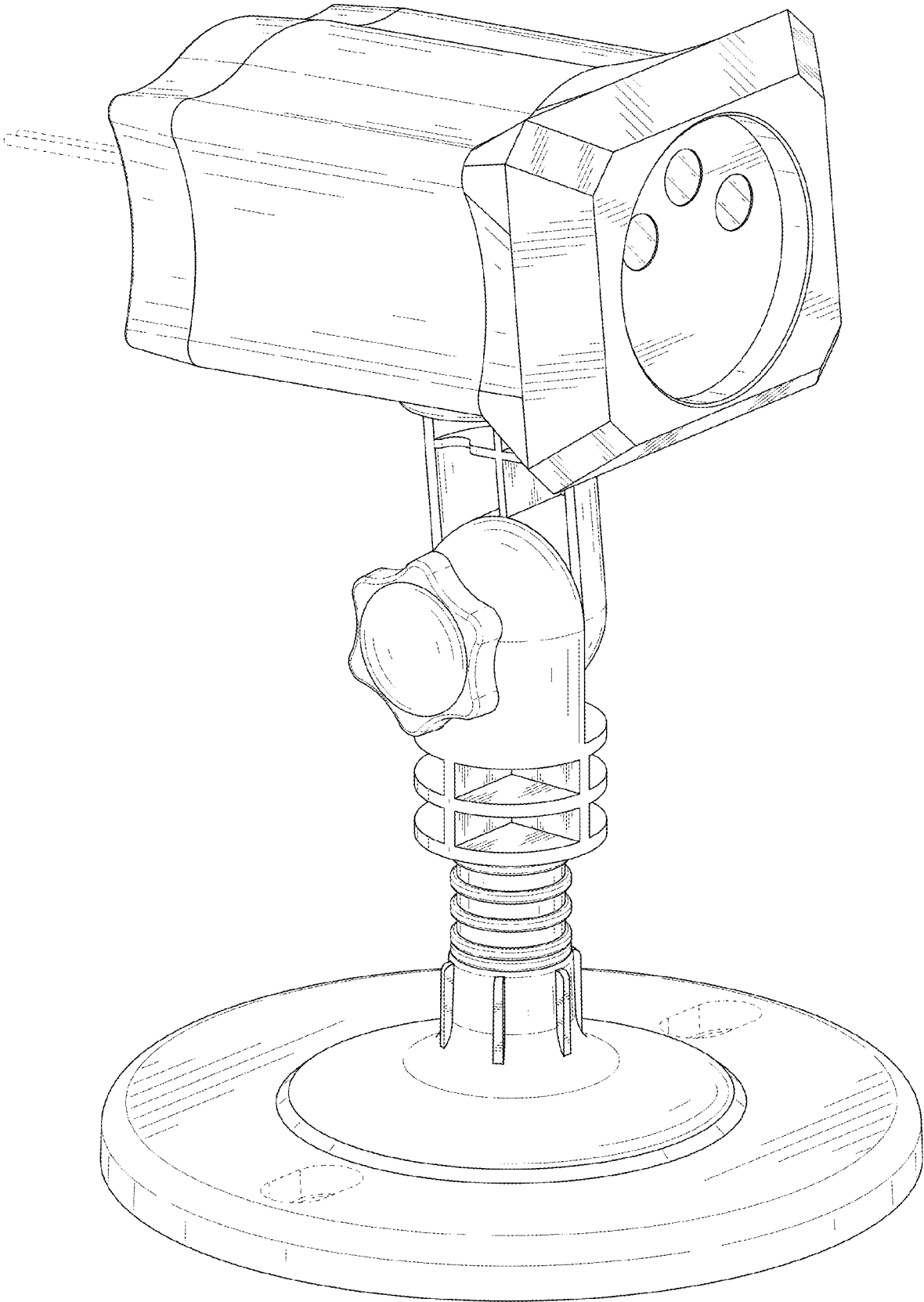


FIG. 1

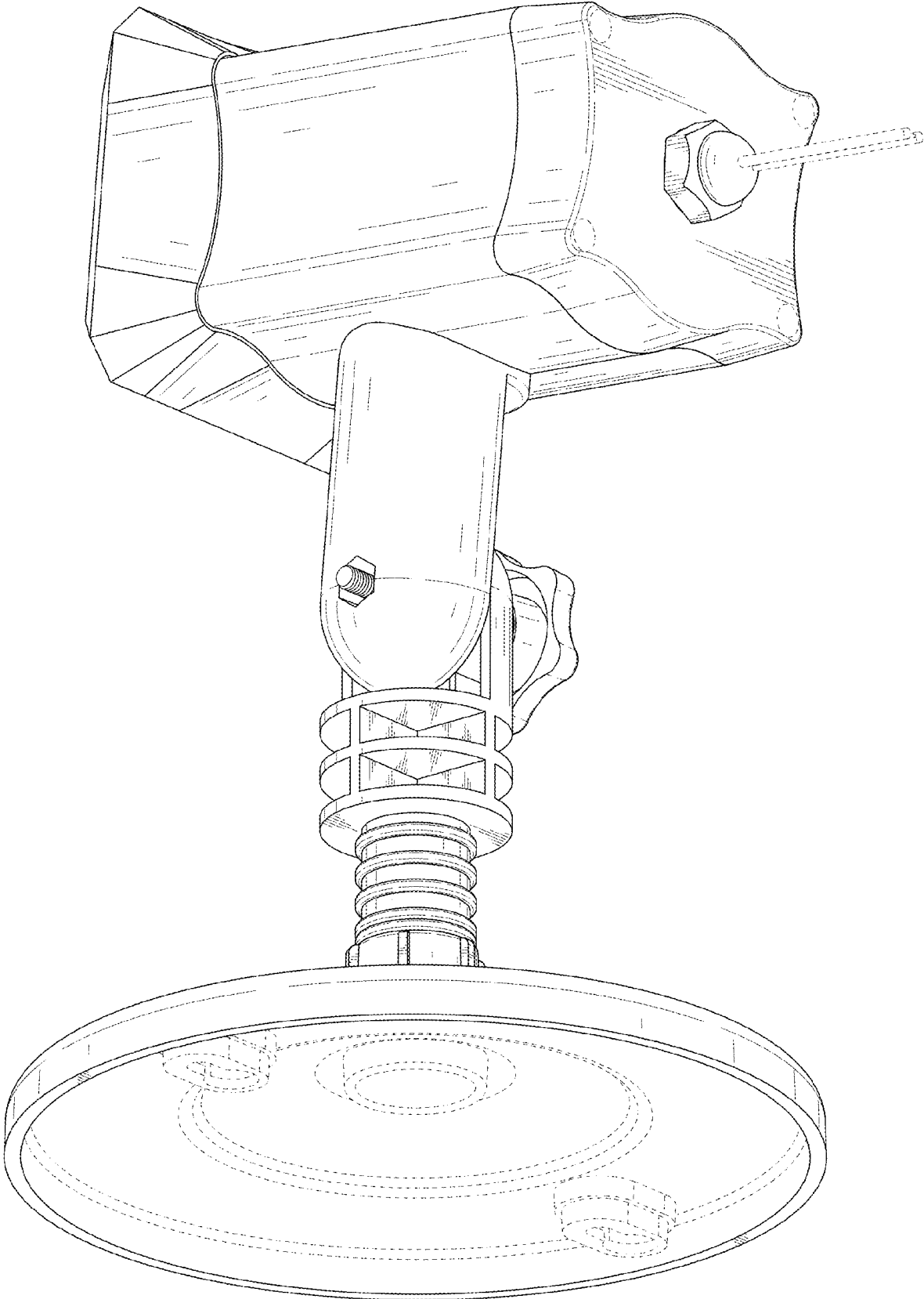


FIG. 2

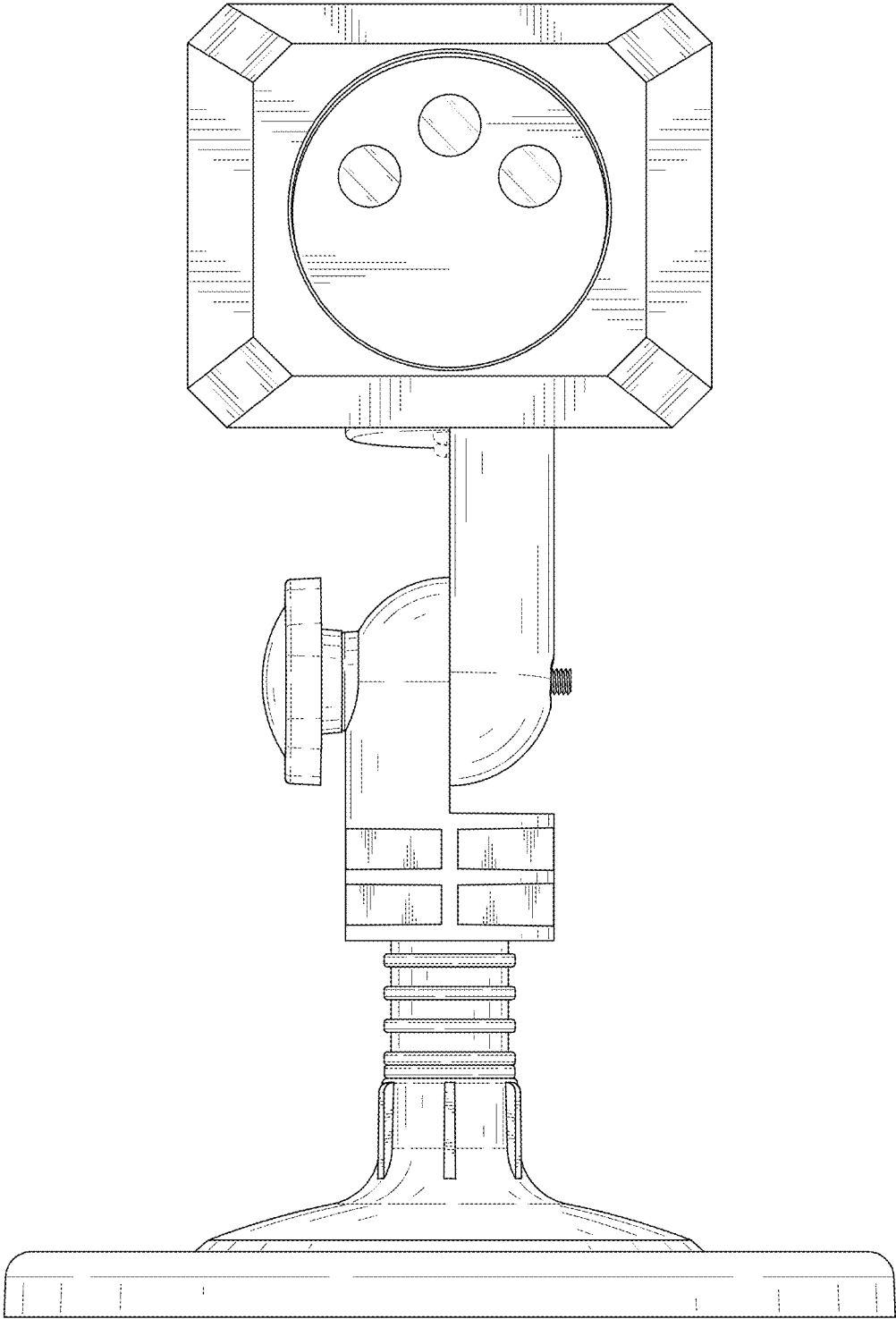


FIG. 3

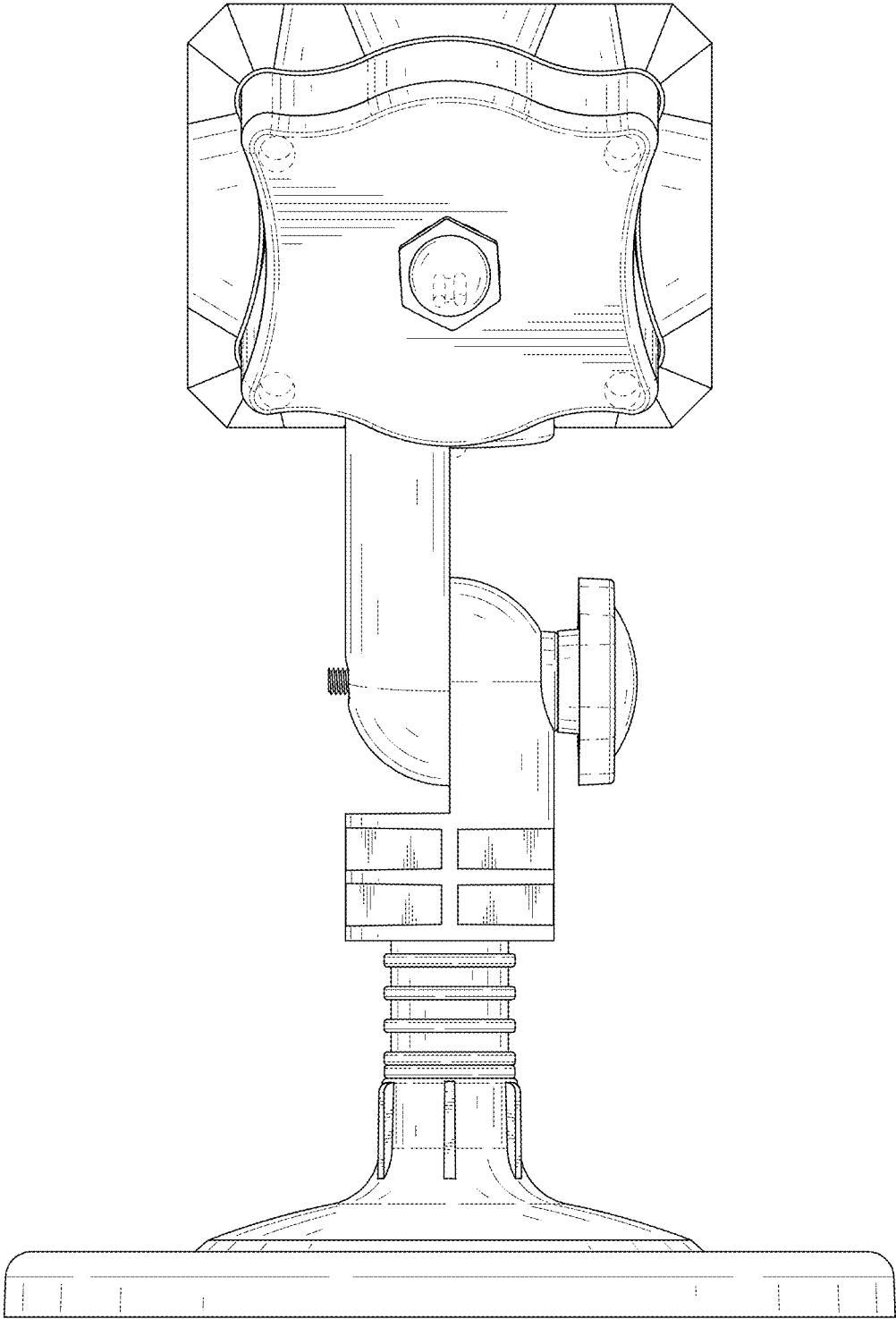


FIG. 4

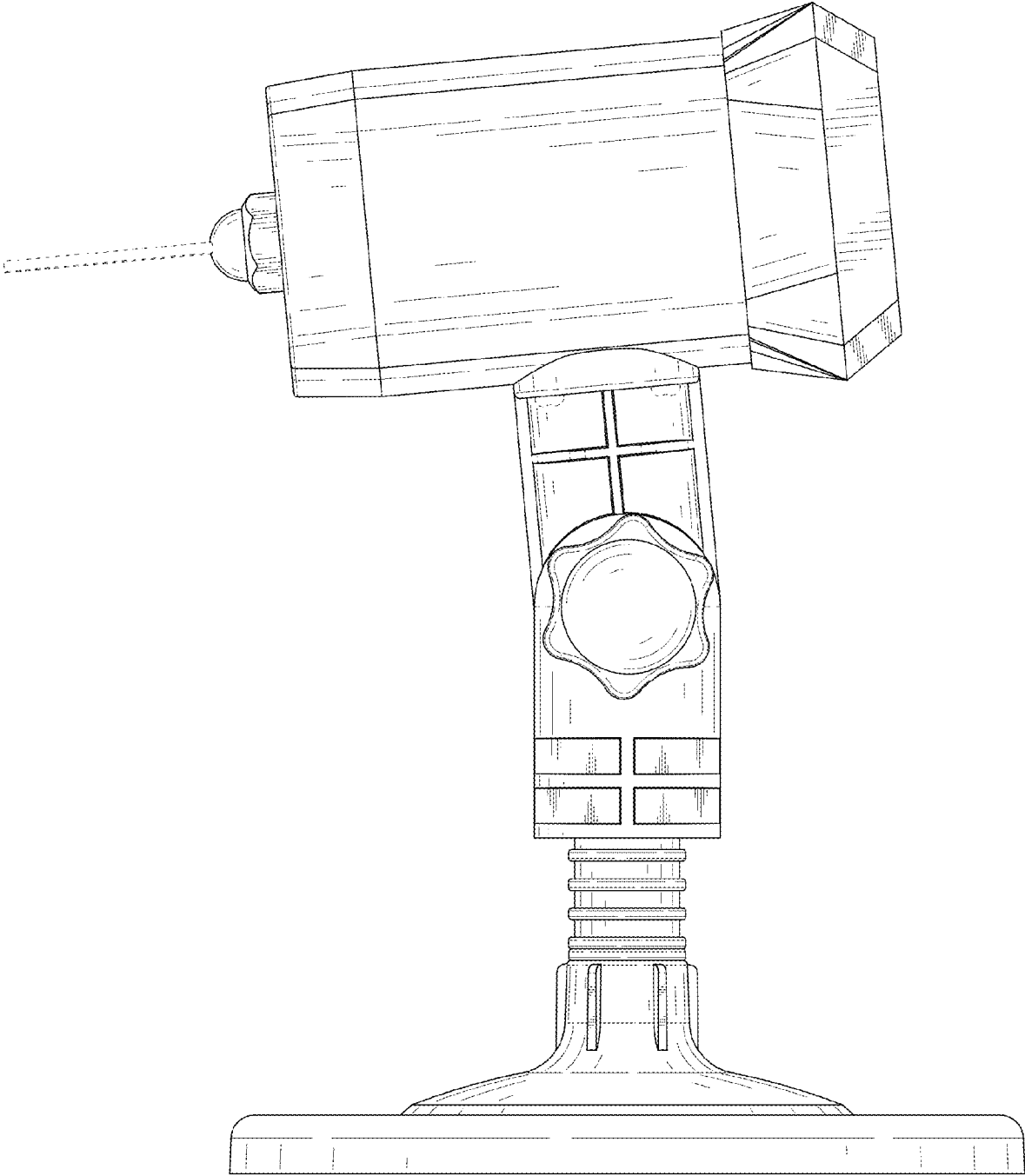


FIG. 5

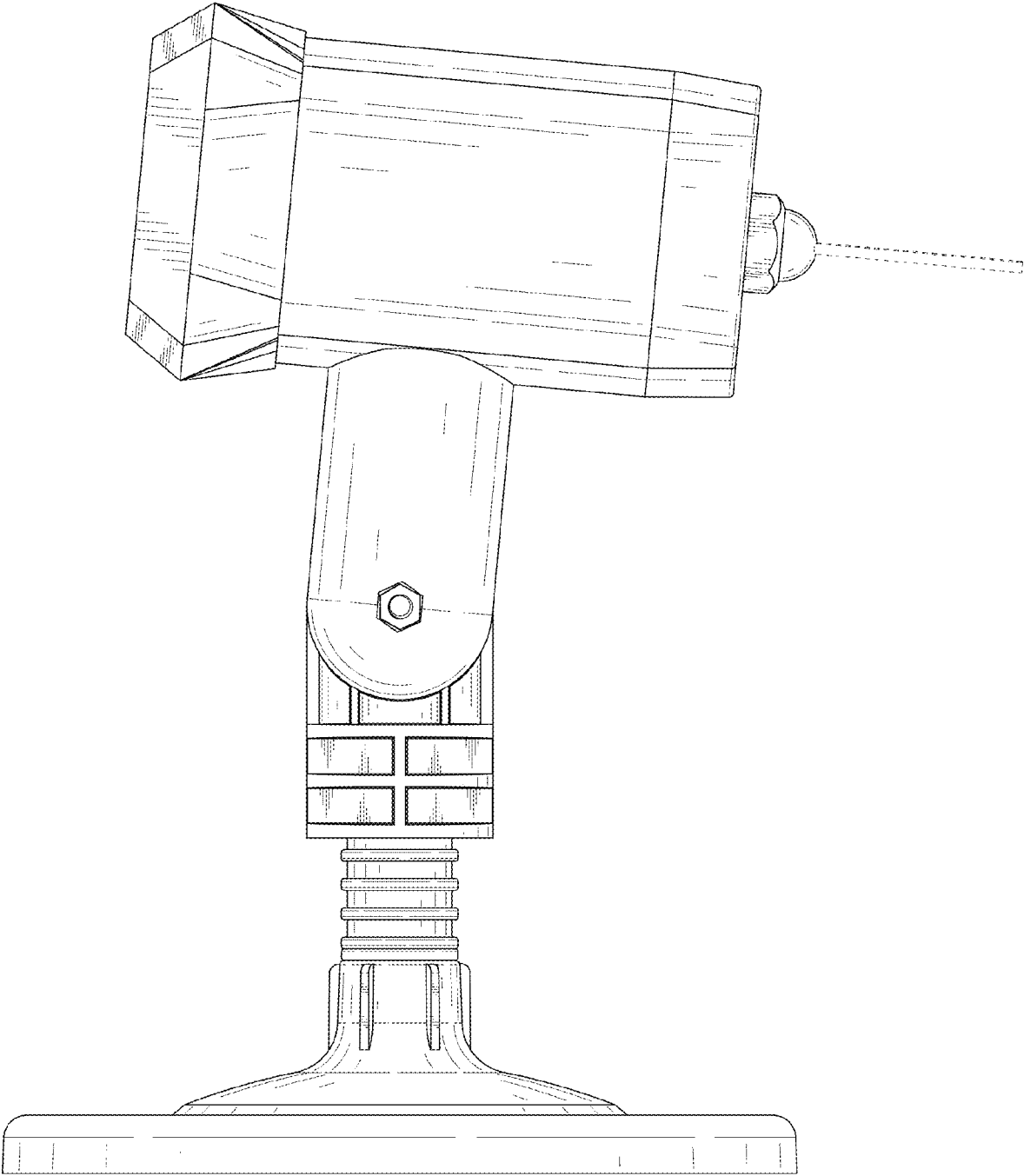


FIG. 6

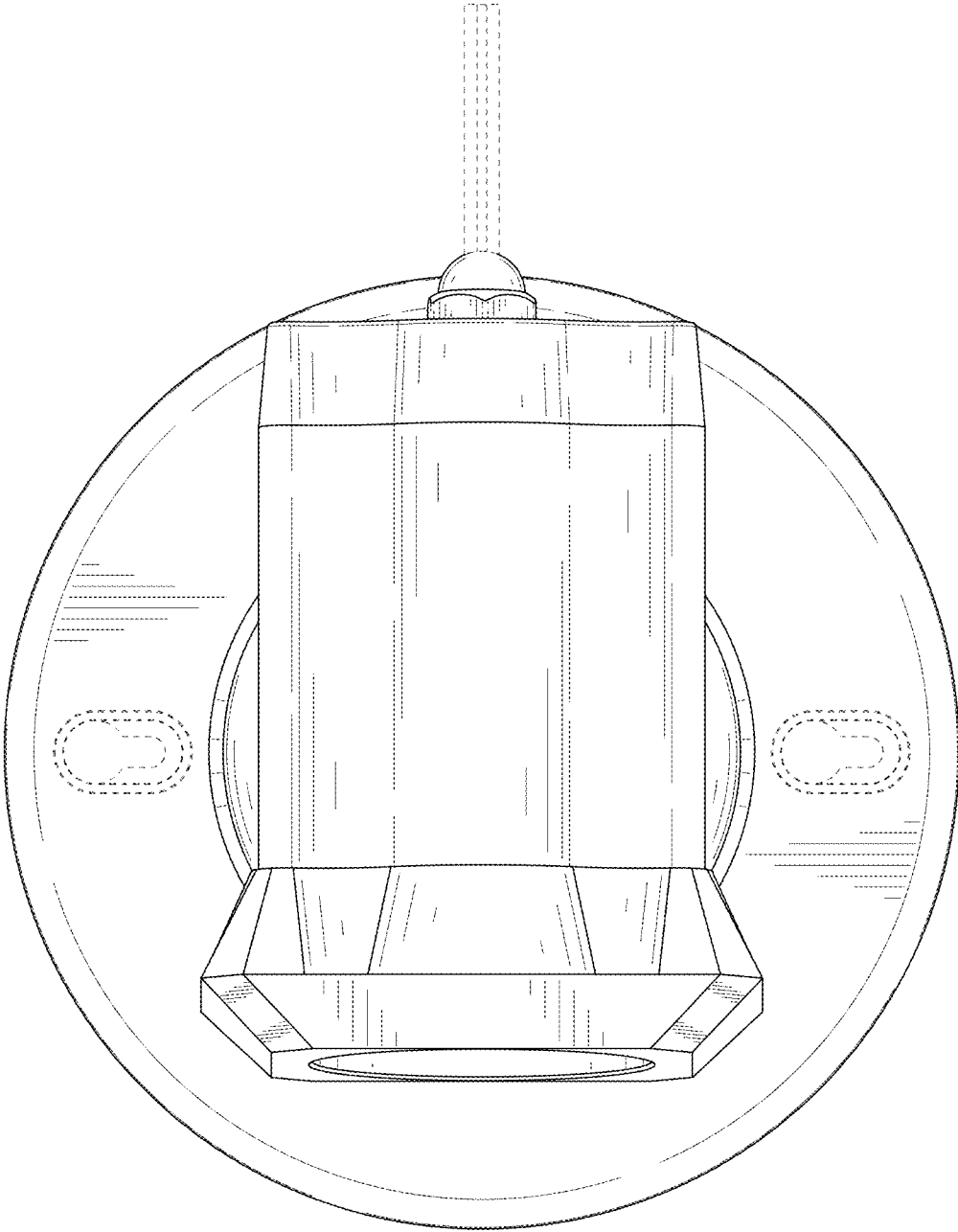


FIG. 7

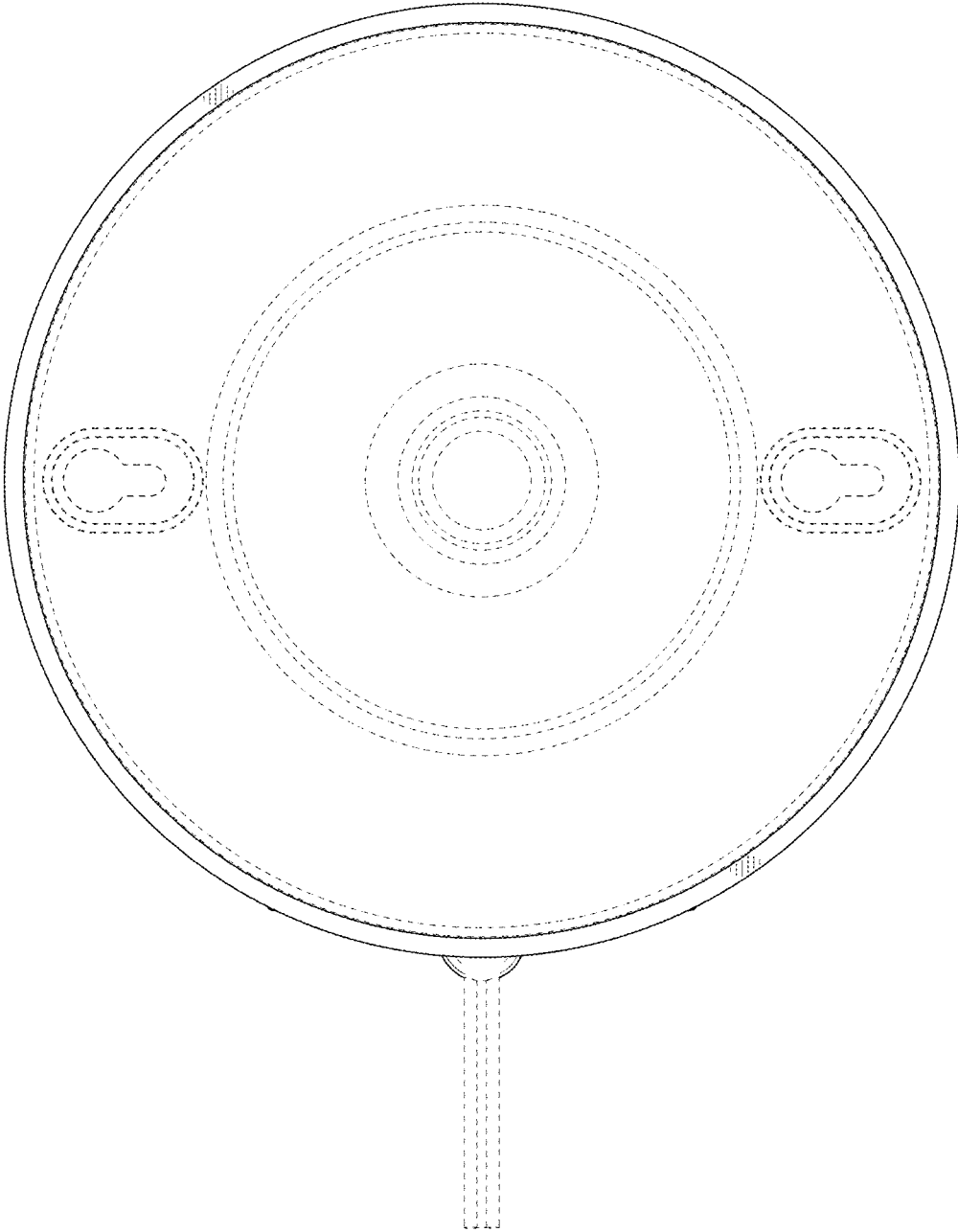


FIG. 8