



US00D963943S

(12) **United States Design Patent** (10) **Patent No.:** **US D963,943 S**  
**Van Roosmalen** (45) **Date of Patent:** **\*\* Sep. 13, 2022**

- (54) **HEAD FOR SHAVER**
- (71) Applicant: **KONINKLIJKE PHILIPS N.V.**,  
Eindhoven (NL)
- (72) Inventor: **Jos Van Roosmalen**, Amsterdam (NL)
- (73) Assignee: **KONINKLIJKE PHILIPS N.V.**,  
Eindhoven (NL)
- (\*\*) Term: **15 Years**
- (21) Appl. No.: **29/725,955**

D932,699 S \* 10/2021 Van Roosmalen ..... D28/50  
 D932,700 S \* 10/2021 Van Roosmalen ..... D28/50  
 D933,894 S \* 10/2021 Van Roosmalen ..... D28/50

(Continued)

*Primary Examiner* — Jennifer Rivard

(57) **CLAIM**

The ornamental design for a head for shaver, as shown and described.

**DESCRIPTION**

- (22) Filed: **Feb. 28, 2020**
- (51) **LOC (13) Cl.** ..... **28-03**
- (52) **U.S. Cl.**  
USPC ..... **D28/54**
- (58) **Field of Classification Search**  
USPC ..... D28/50–54  
CPC ..... B26B 19/14–18; B26B 19/3846; B26B  
19/3873–3893; B26B 19/3853–3866  
See application file for complete search history.

FIG. 1 is a perspective view of a first embodiment showing a head for shaver according to my design;  
 FIG. 2 is a front elevational view thereof;  
 FIG. 3 is a perspective view of a second embodiment showing a head for shaver according to my design;  
 FIG. 4 is a front elevational view thereof;  
 FIG. 5 is a perspective view of a third embodiment showing a head for shaver according to my design;  
 FIG. 6 is a front elevational view thereof;  
 FIG. 7 a rear elevational view thereof;  
 FIG. 8 is a right side elevational view thereof;  
 FIG. 9 is a left side elevational view thereof;  
 FIG. 10 is a top plan view thereof;  
 FIG. 11 is a bottom plan view thereof;  
 FIG. 12 is a perspective view of a fourth embodiment showing a head for shaver according to my design;  
 FIG. 13 is a front elevational view thereof;  
 FIG. 14 is a rear elevational view thereof;  
 FIG. 15 is a right side elevational view thereof;  
 FIG. 16 is a left side elevational view thereof;  
 FIG. 17 is a top plan view thereof; and,  
 FIG. 18 is a bottom plan view thereof.

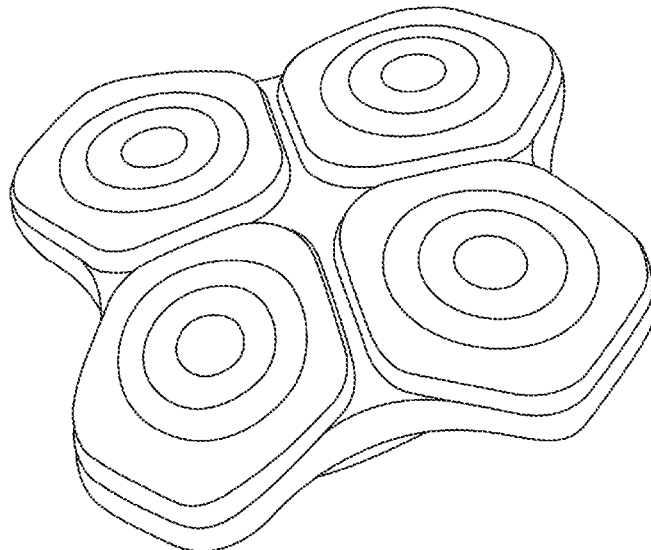
The portions of the head for shaver shown in broken lines are included for the purpose of illustrating unclaimed portions of the head for shaver and form no part of the claimed design.

(56) **References Cited**

**U.S. PATENT DOCUMENTS**

D758,014	S	*	5/2016	Smith	.....	D28/50
D758,017	S	*	5/2016	Smith	.....	D28/54
D777,375	S	*	1/2017	Frankel	.....	D28/50
D777,376	S	*	1/2017	Frankel	.....	D28/50
9,919,437	B2	*	3/2018	Veltman	.....	B26B 19/388
D848,072	S	*	5/2019	Prat-Pfister	.....	D28/50
10,357,890	B2	*	7/2019	Yan	.....	B26B 19/3866
10,471,612	B2	*	11/2019	Shimizu	.....	B26B 19/146
D880,064	S	*	3/2020	Andersson	.....	D28/50
D884,972	S	*	5/2020	Andersson	.....	D28/50
D889,042	S	*	6/2020	Andersson	.....	D28/50
10,926,425	B2	*	2/2021	Zak	.....	B26B 19/3846
D912,902	S	*	3/2021	Andersson	.....	D28/50
D914,290	S	*	3/2021	Kulshreshtha	.....	D28/50
10,946,536	B2	*	3/2021	Winters	.....	B26B 19/146
D932,697	S	*	10/2021	Van Roosmalen	.....	D28/50
D932,698	S	*	10/2021	Van Roosmalen	.....	D28/50

**1 Claim, 12 Drawing Sheets**



(56)

**References Cited**

U.S. PATENT DOCUMENTS

D934,502 S \* 10/2021 Van Roosmalen ..... D28/50  
2021/0069920 A1 \* 3/2021 Kulshreshtha ..... B26B 19/386

\* cited by examiner

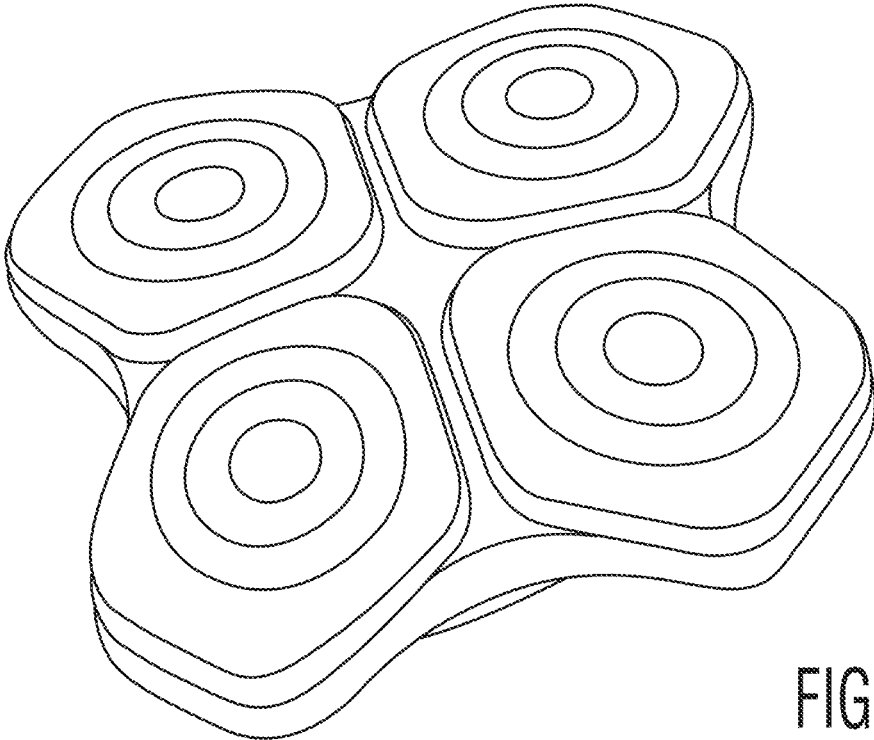


FIG. 1

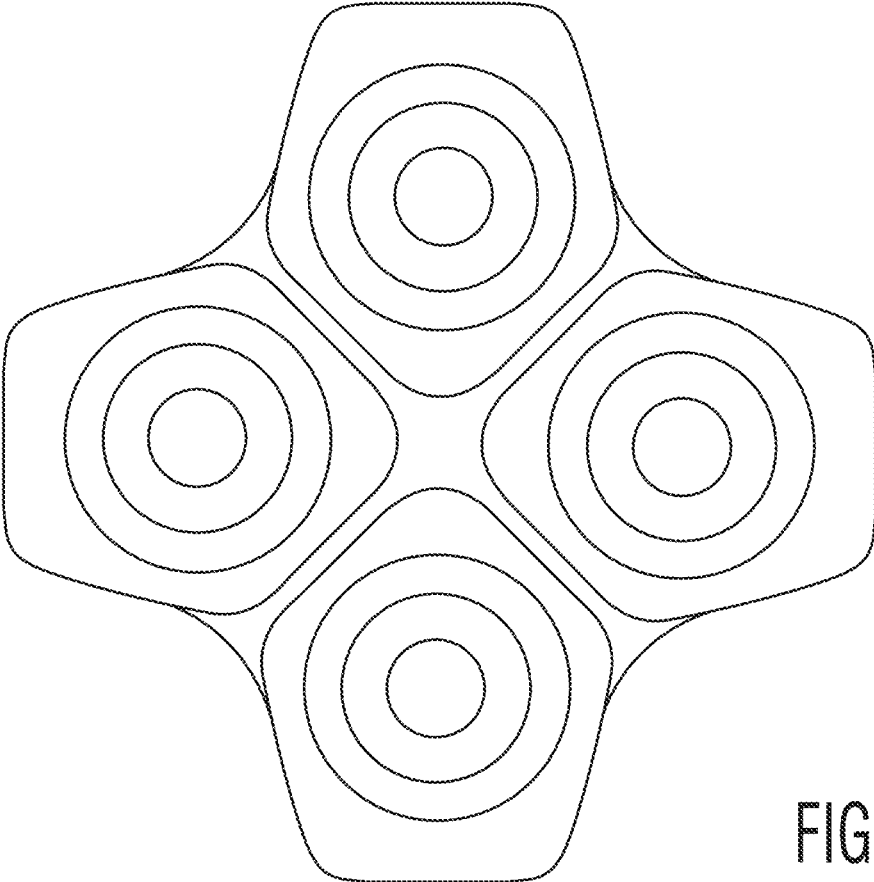


FIG. 2

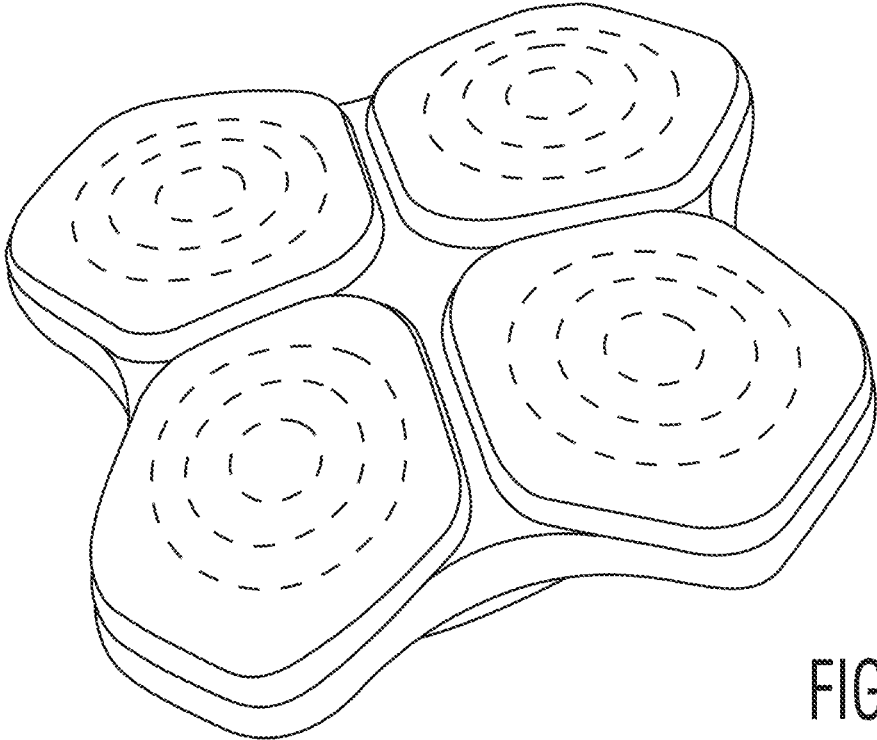


FIG. 3

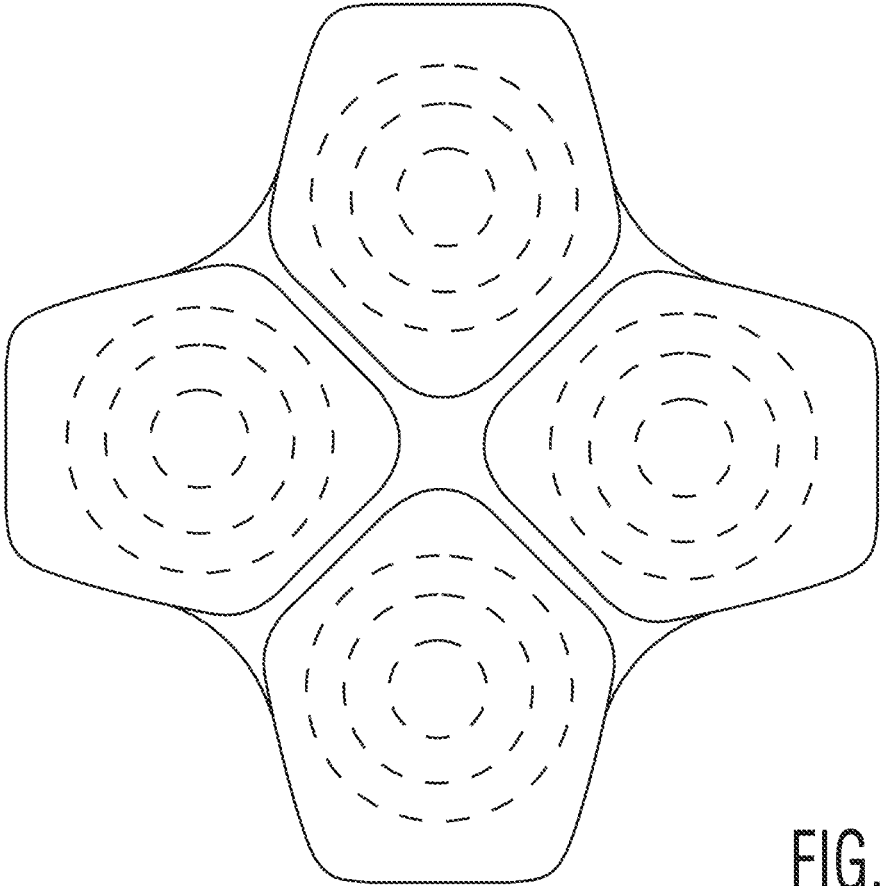


FIG. 4

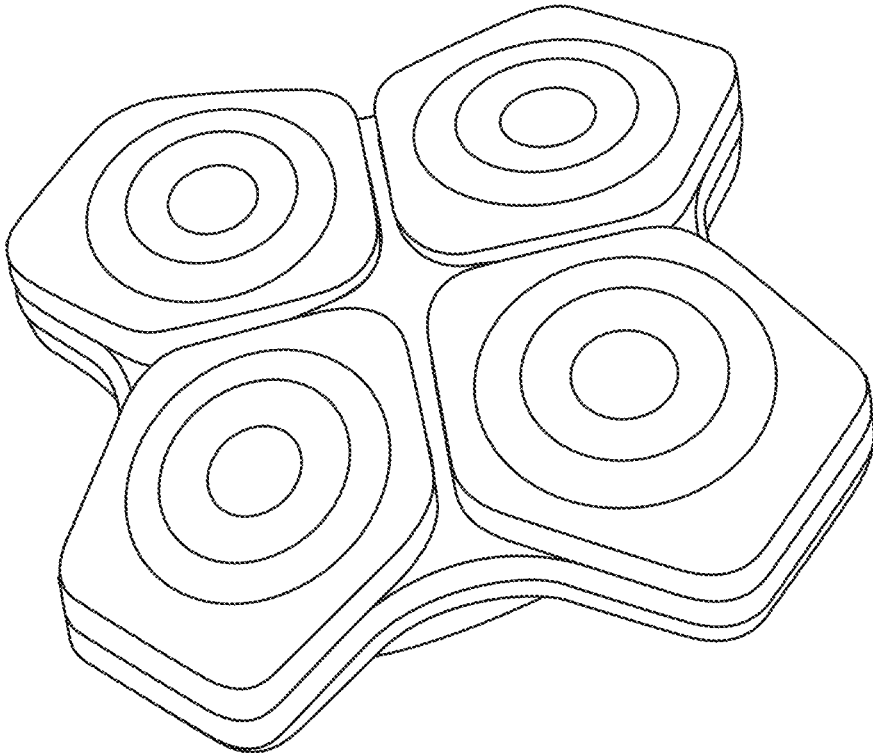


FIG. 5

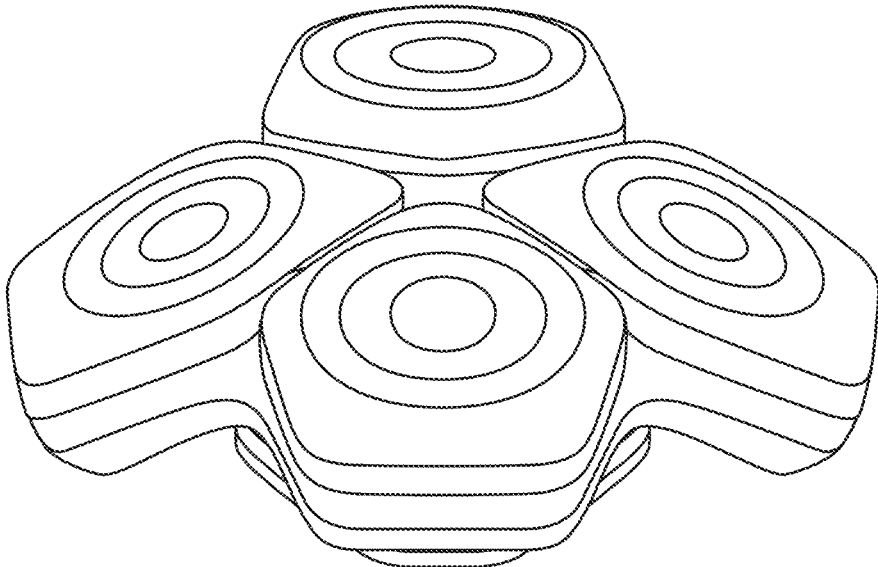


FIG. 6

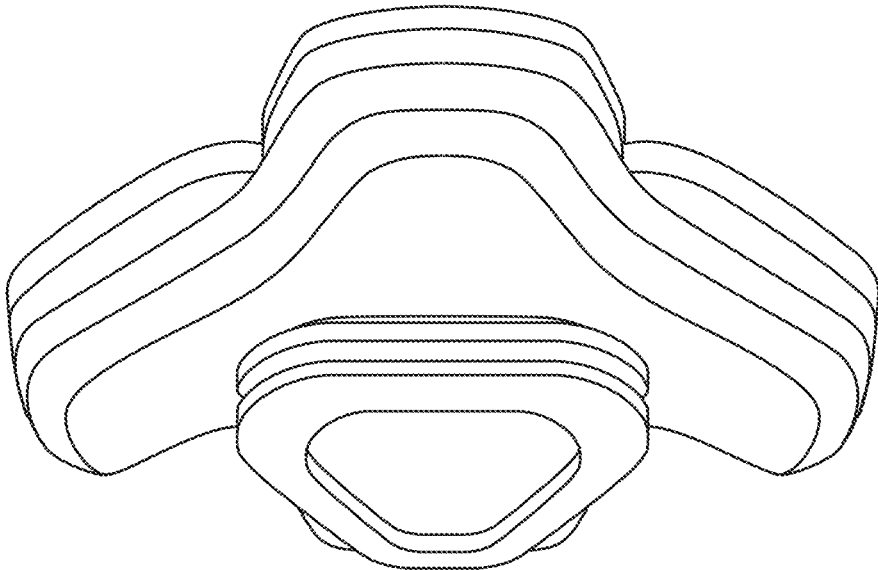


FIG. 7

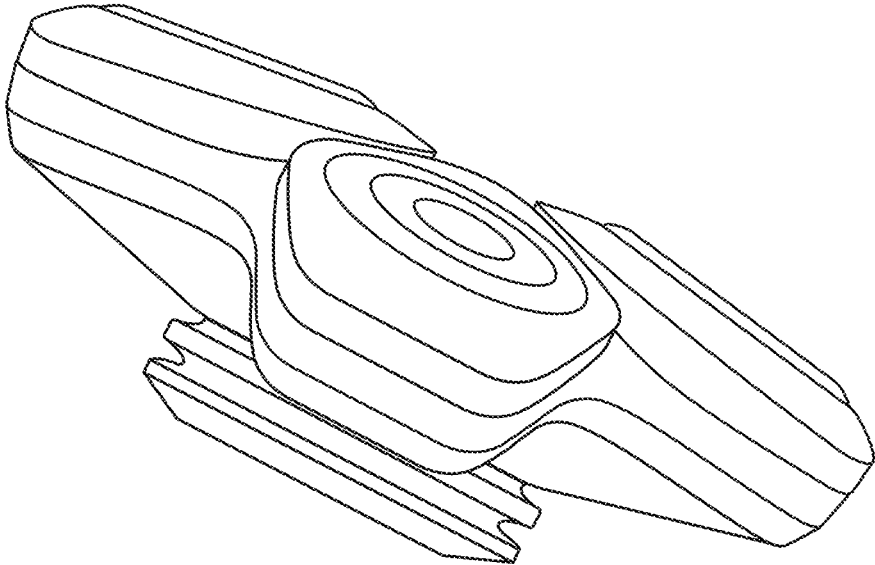


FIG. 8

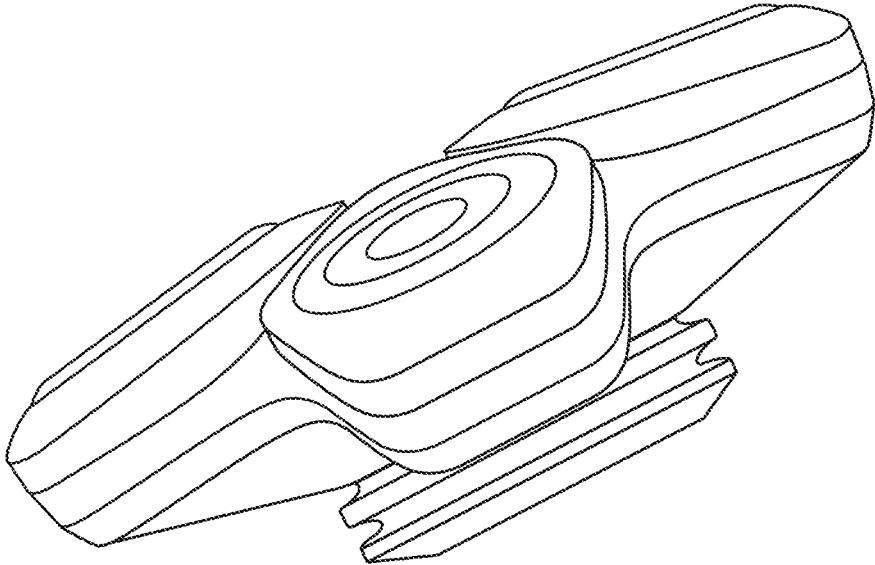


FIG. 9

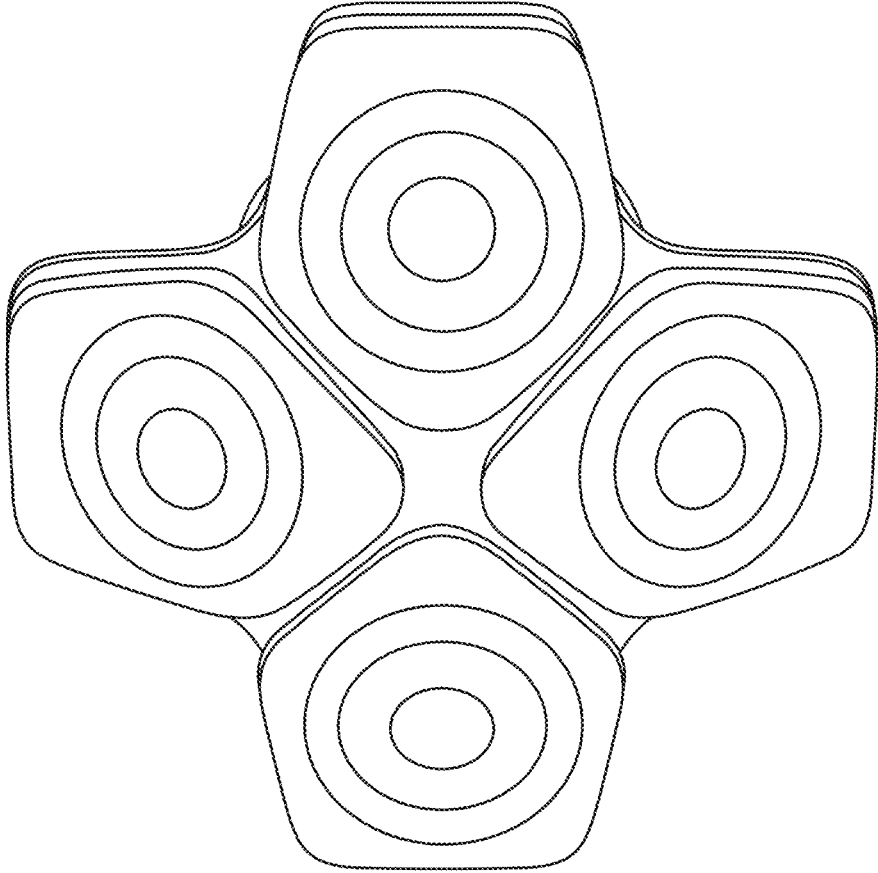


FIG. 10



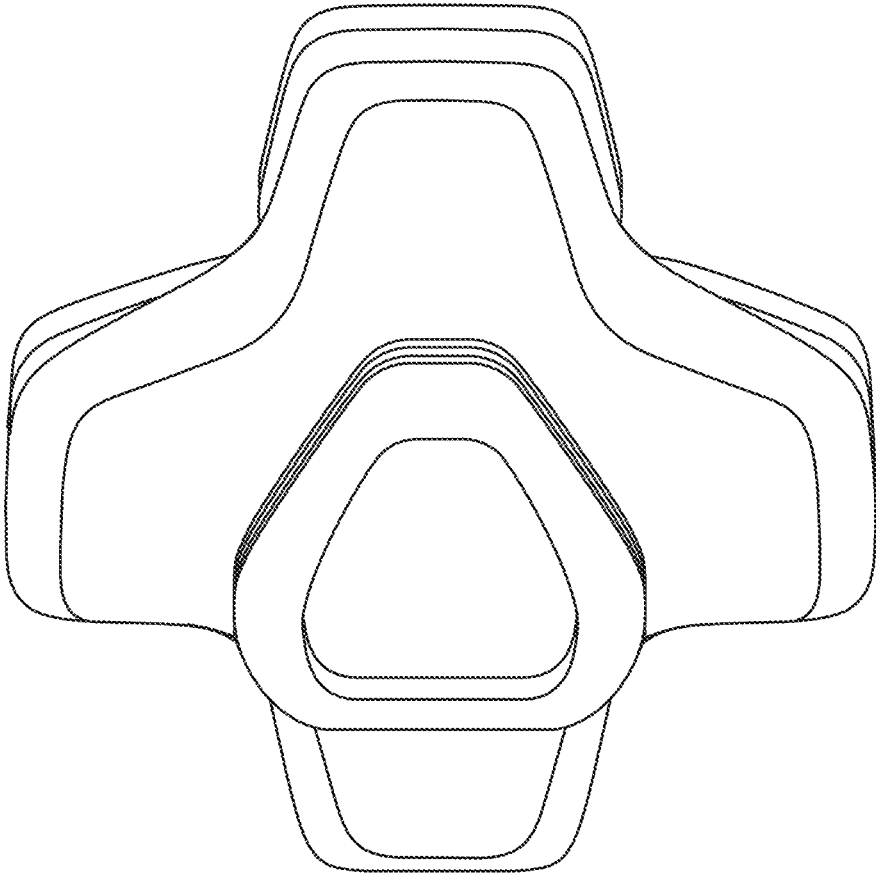


FIG. 11

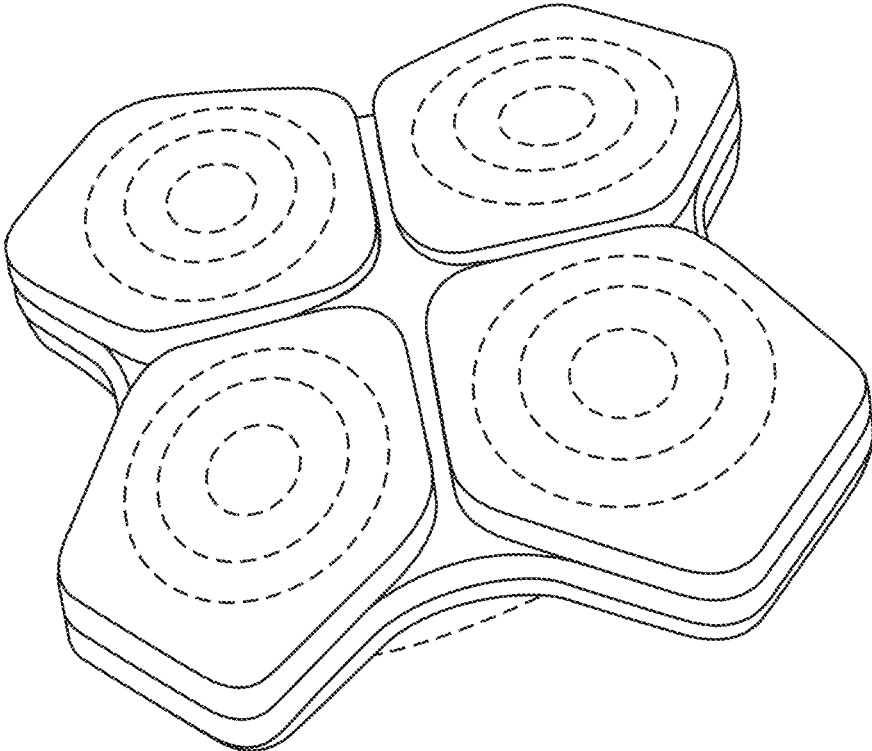


FIG. 12

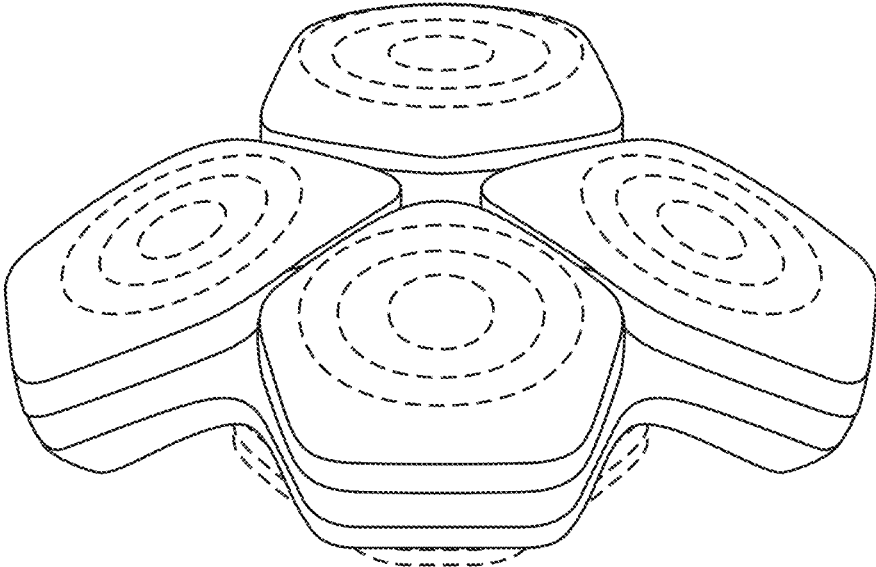


FIG. 13

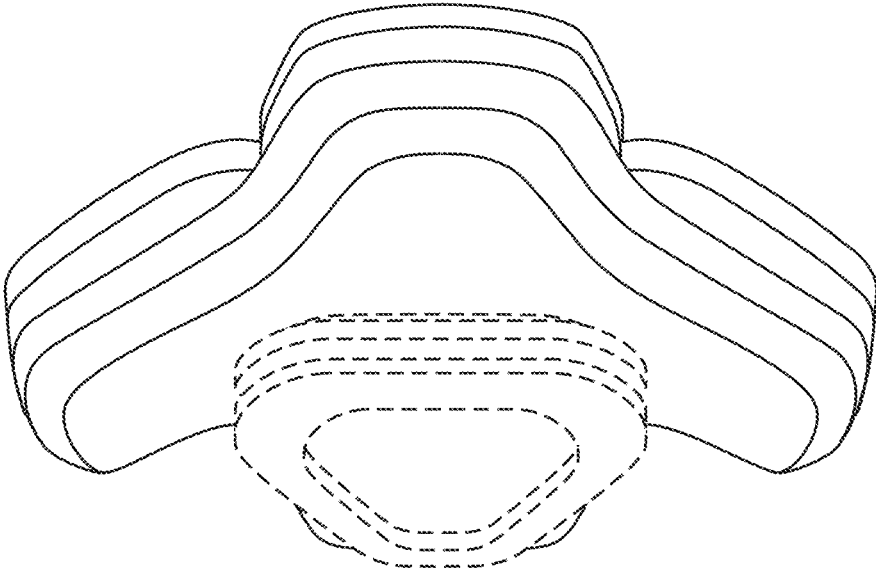


FIG. 14

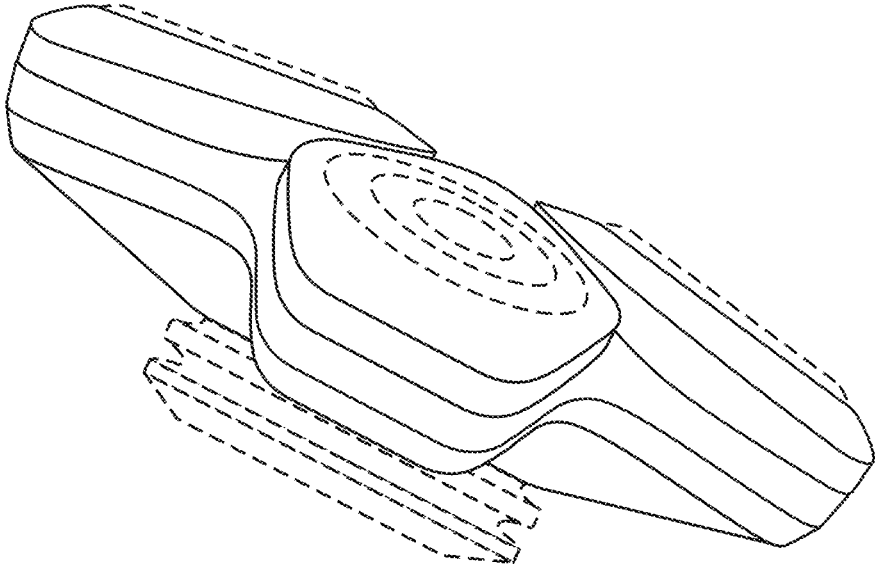


FIG. 15

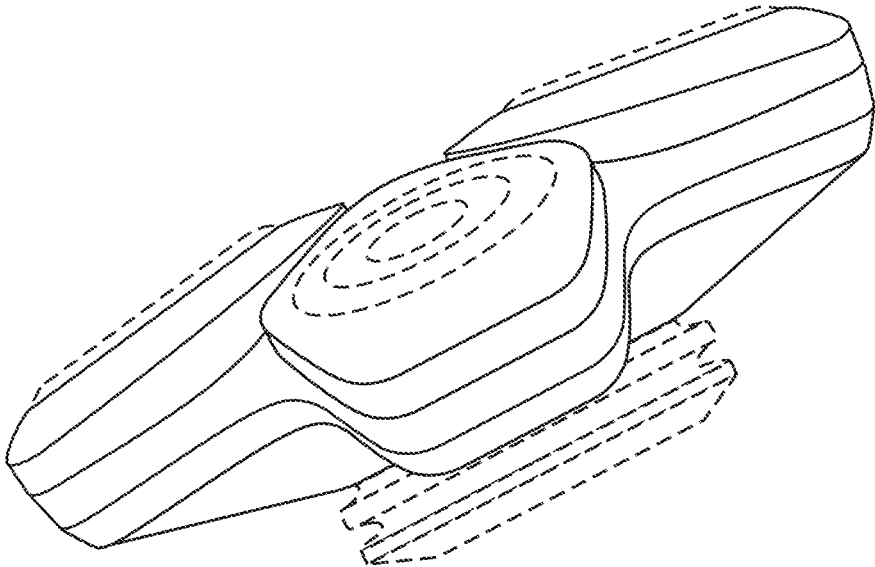


FIG. 16

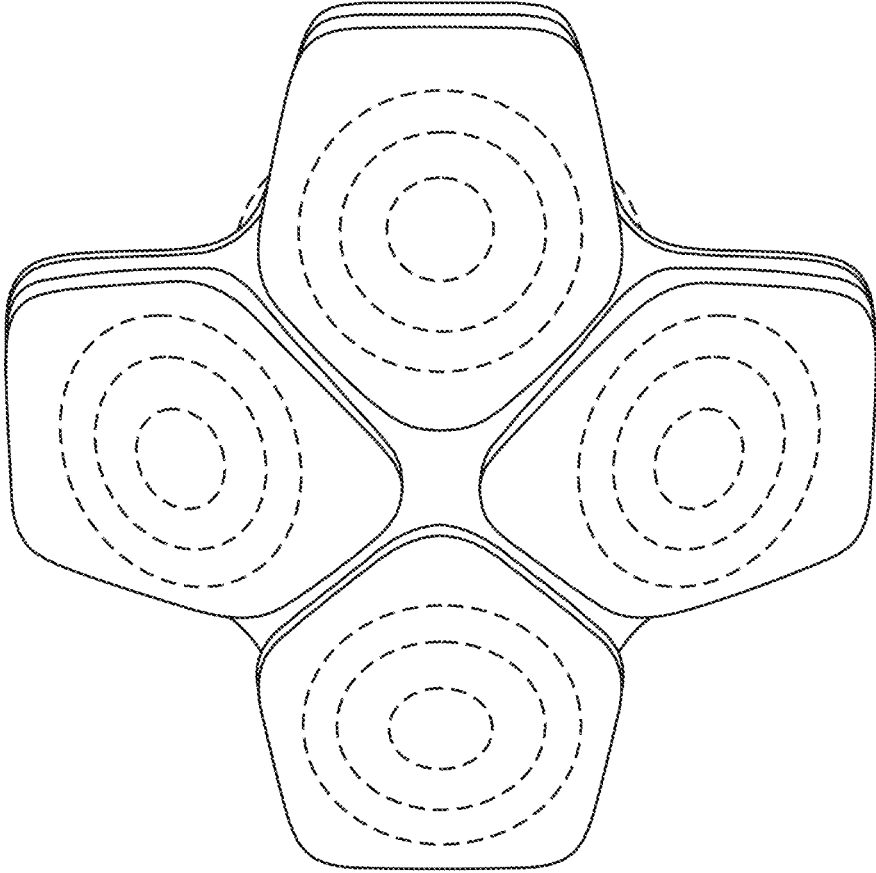


FIG. 17

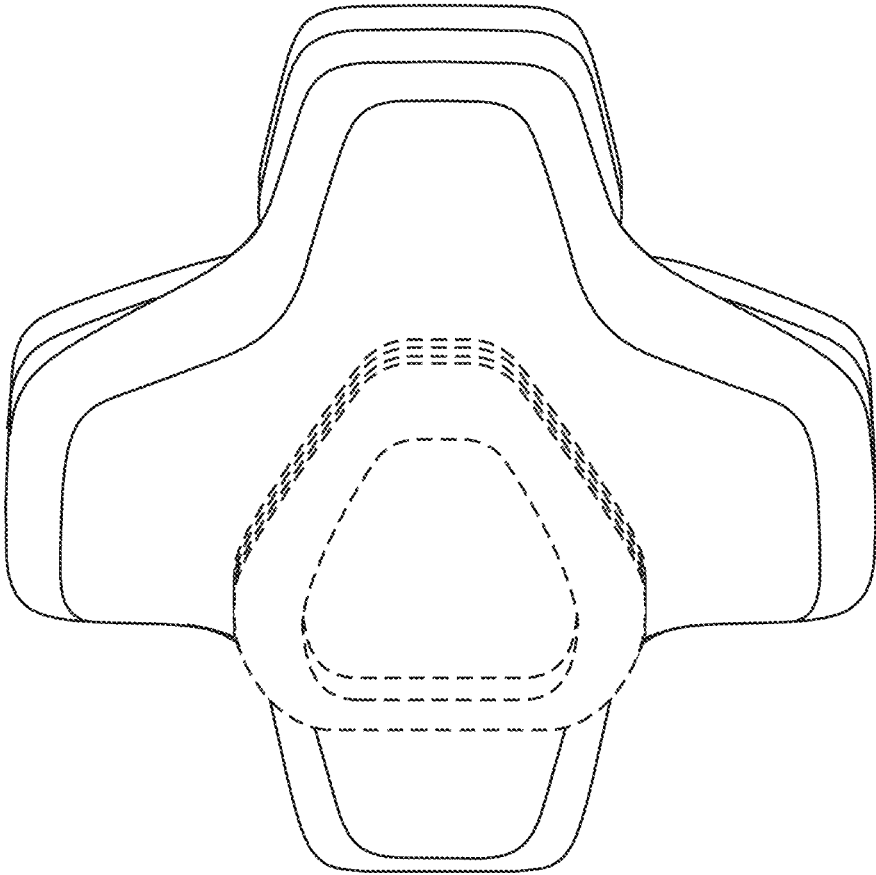


FIG. 18