



US00D348966S

United States Patent [19]

[11] Patent Number: Des. 348,966

Guyton

[45] Date of Patent: ** Jul. 19, 1994

[54] VEHICLE MOUNTED HYDRAULIC AUTO JACK

[76] Inventor: Victor Guyton, 307 Northeast St., Tuscumbia, Ala. 35674

[**] Term: 14 Years

[21] Appl. No.: 9,414

[22] Filed: Jun. 14, 1993

[52] U.S. Cl. D34/31; D34/28

[58] Field of Search 254/423, 424, 420, 93 H, 254/134, 124, 86 H, 86 R; 248/354.5, 352, 351; D34/28, 31

[56] **References Cited**

U.S. PATENT DOCUMENTS

D. 204,944	5/1966	Bair	D34/31
D. 281,199	10/1985	Prawl	D34/28
D. 327,764	7/1992	Davis	D34/31
3,064,994	11/1962	Limmer	
3,093,362	6/1963	Schaefer	254/424

3,860,216	1/1975	Brown	
3,863,894	2/1975	Momsi et al.	254/86
4,150,813	4/1979	Mena	
4,165,861	8/1979	Hanser	254/423

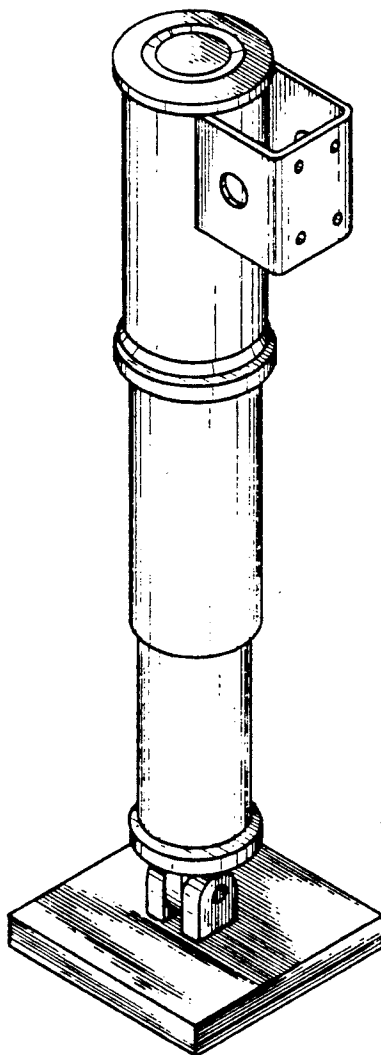
Primary Examiner—Kay H. Chin
Attorney, Agent, or Firm—Terry M. Gernstein

[57] **CLAIM**

The ornamental design for a vehicle mounted hydraulic auto jack, as shown and described.

DESCRIPTION

FIG. 1 is a front, top and side perspective view of the vehicle mounted hydraulic auto jack showing my new design; FIG. 2 is a front elevational view thereof; FIG. 3 is a rear elevational view thereof; FIG. 4 is a side elevational view thereof, the side opposite being a mirror image of the side shown in FIG. 4; FIG. 5 is a top plan view thereof; and, FIG. 6 is a bottom plan view thereof.



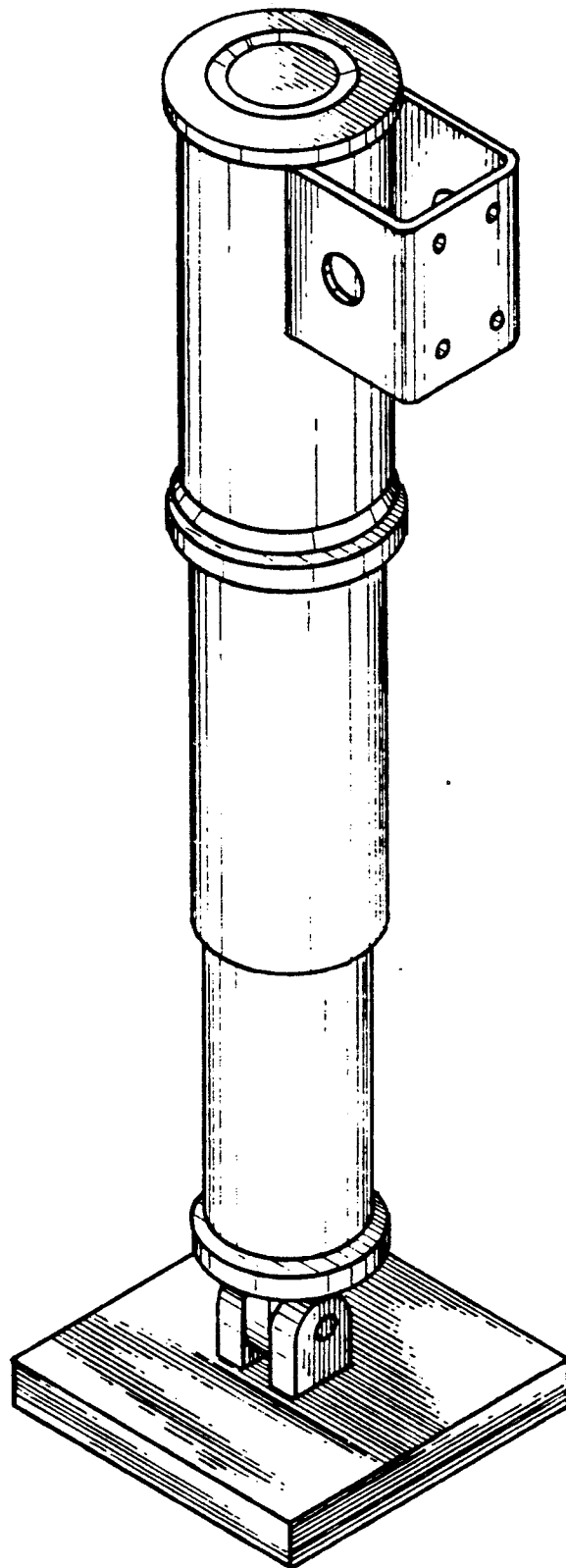


FIG. 1

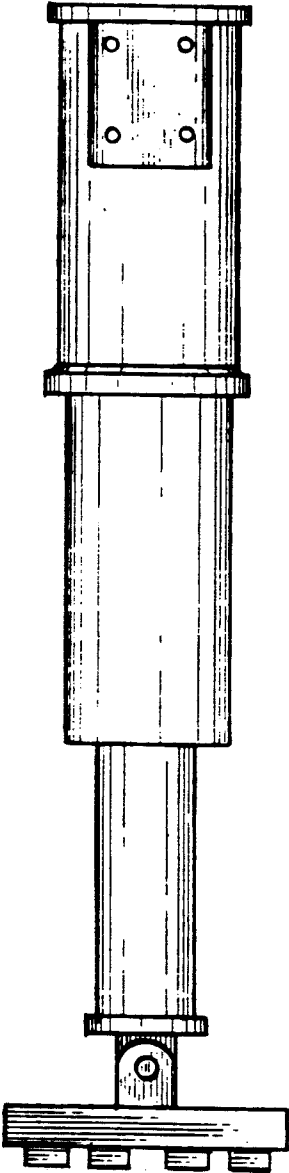


FIG. 2

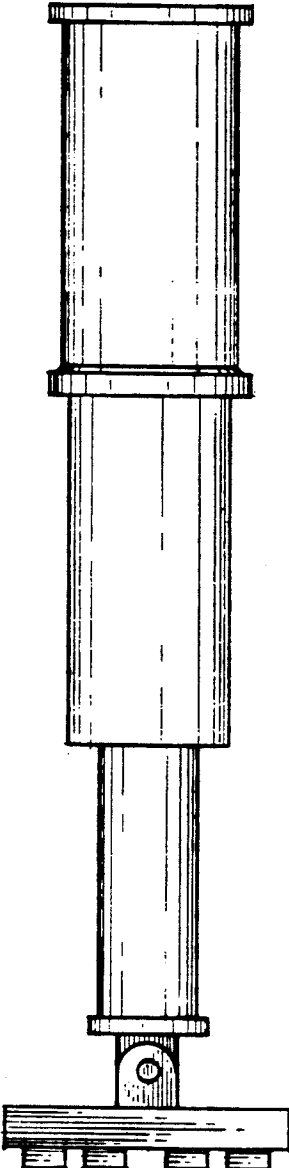


FIG. 3

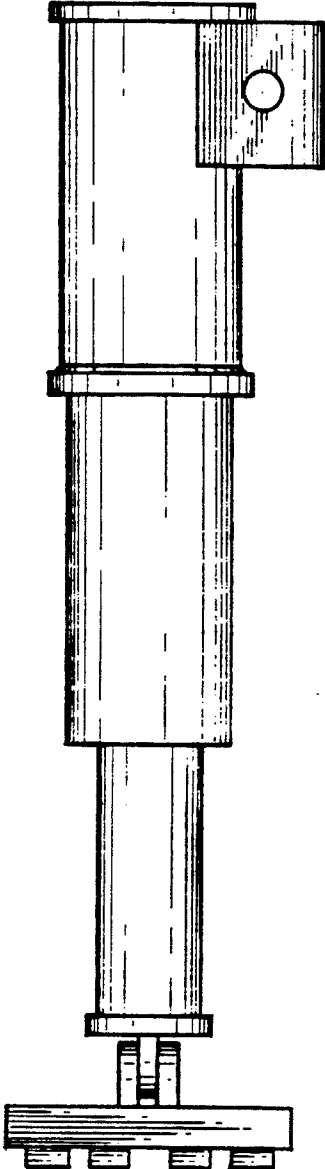


FIG. 4

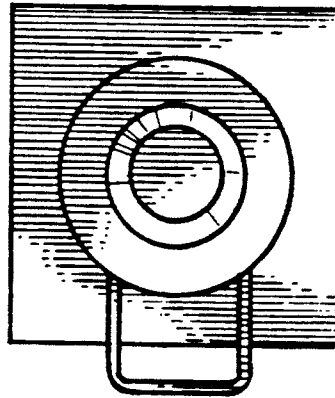


FIG. 5

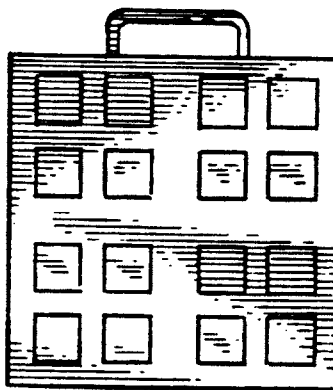


FIG. 6