



US00D533777S

(12) **United States Design Patent**  
**Hundley et al.**

(10) **Patent No.:** **US D533,777 S**

(45) **Date of Patent:** **\*\* Dec. 19, 2006**

- (54) **CONTOURED PROFILE DOMED LID**
  - (75) Inventors: **Bobby V. Hundley**, Glendale, AZ (US);  
**Joseph H. Quatmann**, Phonix, AZ (US)
  - (73) Assignee: **Wincup Holdings, Inc.**, Radnor, PA (US)
  - (\*\*) Term: **14 Years**
  - (21) Appl. No.: **29/227,432**
  - (22) Filed: **Apr. 11, 2005**
  - (51) **LOC (8) Cl.** ..... **09-07**
  - (52) **U.S. Cl.** ..... **D9/447**
  - (58) **Field of Classification Search** ..... D9/454,  
D9/450, 449, 447, 445, 441, 438, 435, 434;  
D7/629, 511, 510, 396.2, 392.1, 317; D3/203.2,  
D3/202; 222/555, 451.2; 220/713, 712, 270,  
220/253
- See application file for complete search history.

5,090,584 A	2/1992	Roberts et al.	220/712
5,111,961 A	5/1992	Van Melle	220/712
5,183,172 A	2/1993	Boller	220/270
5,197,624 A	3/1993	Dodaro	220/254
5,398,843 A	3/1995	Warden et al.	220/711
D363,665 S	10/1995	Goto et al.	D9/434
5,490,609 A	2/1996	Lane et al.	220/712
5,503,289 A	4/1996	Fox	220/254
5,509,568 A	4/1996	Warden et al.	220/711
D376,952 S	* 12/1996	Rausch	D7/392.1
5,613,619 A	3/1997	Van Melle	220/712
5,699,927 A	12/1997	Lane et al.	220/254
D390,465 S	* 2/1998	Frye	D9/447
D399,050 S	10/1998	Evans	D3/203
5,820,016 A	10/1998	Stropkay	229/403
5,839,601 A	11/1998	Van Melle	220/712
5,947,323 A	9/1999	Freek et al.	220/709
6,047,852 A	4/2000	Evans et al.	220/793
6,079,588 A	6/2000	Khafizov	220/711
6,089,397 A	7/2000	Van Melle	220/270
6,260,727 B1	7/2001	Durdon	220/254
D447,412 S	9/2001	Durdon	D9/438
6,314,866 B1	11/2001	Melton	99/322
6,419,105 B1	7/2002	Bruce et al.	220/266

(Continued)

(56) **References Cited**

U.S. PATENT DOCUMENTS

3,868,043 A	2/1975	Freemyer	220/90.4
3,994,411 A	11/1976	Elfelt et al.	220/90.4
4,083,467 A	4/1978	Mullins et al.	220/90.4
4,202,459 A	5/1980	DeParales et al.	220/90.4
4,322,015 A	3/1982	Bailey	220/90.2
D274,502 S	7/1984	Little	D9/438
4,473,167 A	9/1984	Bailey	220/90.4
4,503,992 A	3/1985	Sitko et al.	220/90.4
D279,850 S	7/1985	Brooker et al.	D7/3
4,574,970 A	3/1986	Schwarz	220/90.4
4,589,569 A	5/1986	Clements	220/380
4,619,372 A	10/1986	McFarland	220/90.4
4,629,088 A	12/1986	Durgin	220/254
D287,919 S	1/1987	Clements	D7/40
4,738,373 A	4/1988	DeParales	220/254
4,741,450 A	5/1988	Braude	220/90.4
4,760,934 A	8/1988	Netsch	220/269
D299,010 S	12/1988	Wall	D9/454
4,978,024 A	12/1990	Newman et al.	220/90.4
4,986,437 A	1/1991	Farmer	220/90.2

*Primary Examiner*—Robert M. Spear  
*Assistant Examiner*—Susan Bennett Hattan  
(74) *Attorney, Agent, or Firm*—Woodcock Washburn LLP

(57) **CLAIM**

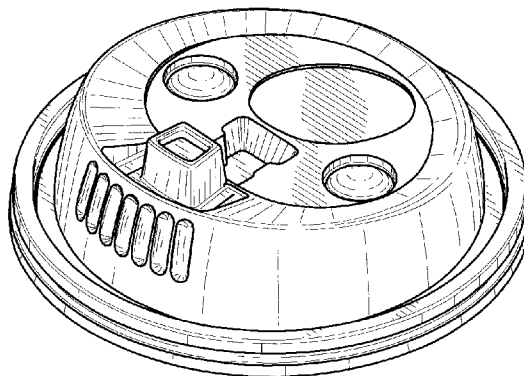
We claim an ornamental design for a contoured profile domed lid, as shown.

**DESCRIPTION**

The subject matter disclosed and claimed herein is related to the subject matter disclosed in U.S. patent application Ser. No. 11/402,514.

FIG. 1 is a top perspective view of a contoured profile domed lid showing our new design;  
FIG. 2 is a top plan view thereof;  
FIG. 3 is a side elevational view thereof;  
FIG. 4 is a front elevational view thereof; and,  
FIG. 5 is a rear elevational view thereof.

**1 Claim, 3 Drawing Sheets**



# US D533,777 S

Page 2

## U.S. PATENT DOCUMENTS

6,419,112	B1	7/2002	Bruce et al. ....	220/781	D516,424	S	*	3/2006	Schweigert et al. ....	D9/447
6,464,099	B1	10/2002	Portman et al. ....	220/712	7,063,224	B1	*	6/2006	Clarke et al. ....	220/254.3
6,505,753	B1	1/2003	Freek et al. ....	220/711	2002/0020708	A1		2/2002	Weiss et al. ....	220/366.1
6,578,726	B1	6/2003	Schaefer .....	220/253	2002/0100757	A1		8/2002	Shih .....	220/270
D476,891	S	7/2003	Clarke et al. ....	D9/447	2002/0170912	A1		11/2002	Clarke .....	220/254.1
6,612,456	B1	9/2003	Hundley et al. ....	220/254.3	2003/0024930	A1		2/2003	Smith et al. ....	220/254.1
6,644,490	B1	11/2003	Clarke .....	220/254.1	2003/0052127	A1		3/2003	Mazzarolo .....	220/254.3
D485,758	S	1/2004	Clarke et al. ....	D9/447	2003/0089714	A1		5/2003	Dart et al. ....	220/254.3
6,679,397	B1	1/2004	Smith et al. ....	220/254.1	2003/0089726	A1		5/2003	Mazzarolo .....	220/712
6,702,145	B1	3/2004	Malcolm .....	220/713	2003/0116568	A1		6/2003	Clarke et al. ....	220/254.3
D489,260	S	5/2004	Smith et al. ....	D9/447	2003/0178426	A1		9/2003	Freek et al. ....	220/254.3
6,732,875	B1	*	5/2004	Smith et al. ....	220/253	2003/0192890	A1	10/2003	Mazzarolo .....	220/254.3
D493,718	S	8/2004	Durdon .....	D9/435	2004/0118847	A1		6/2004	Giraud .....	220/254.3
D514,444	S	*	2/2006	Smith et al. ....	D9/447	2004/0195239	A1	10/2004	Rush et al. ....	220/254.3

\* cited by examiner

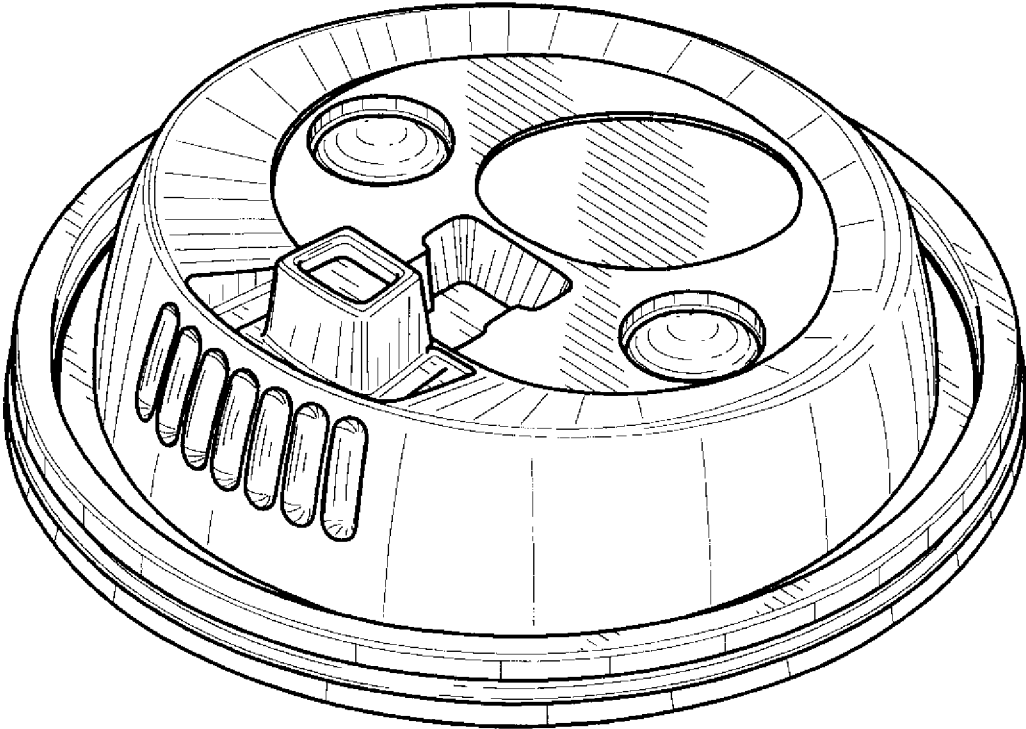


FIG. 1

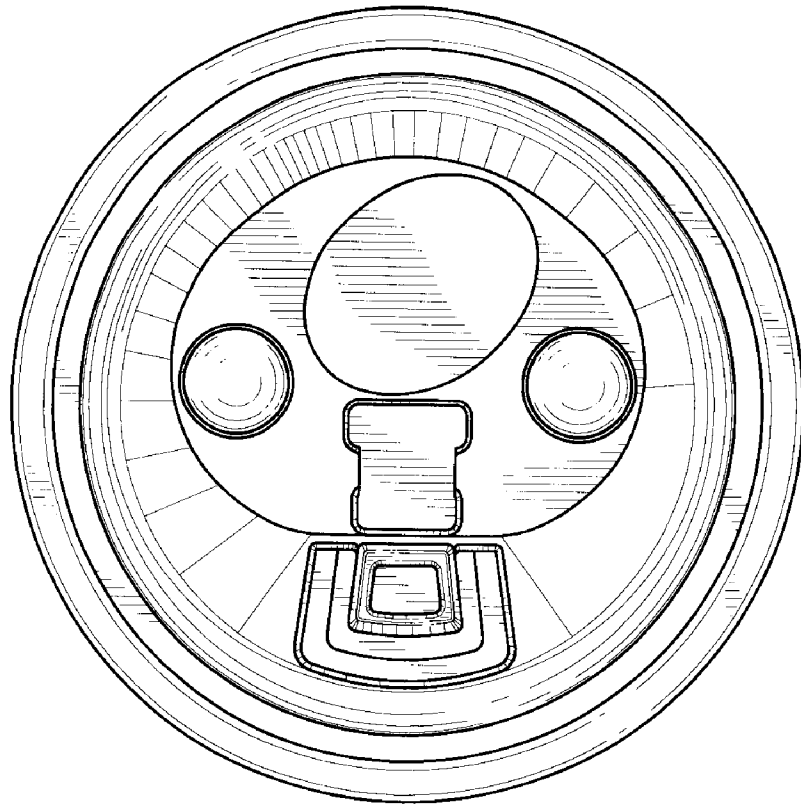


FIG. 2

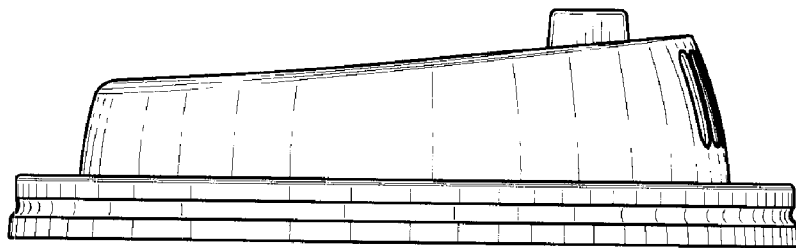


FIG. 3

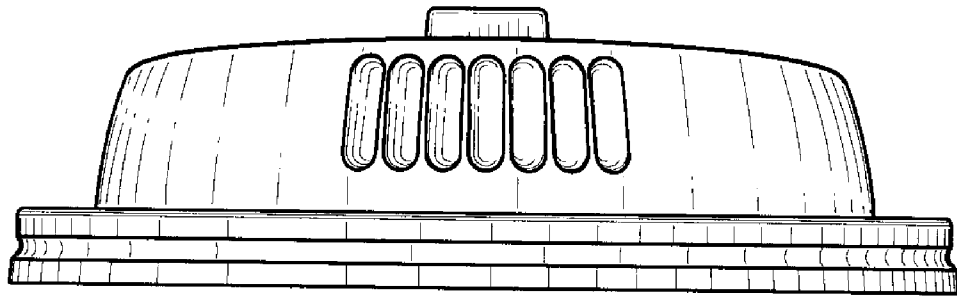


FIG. 4

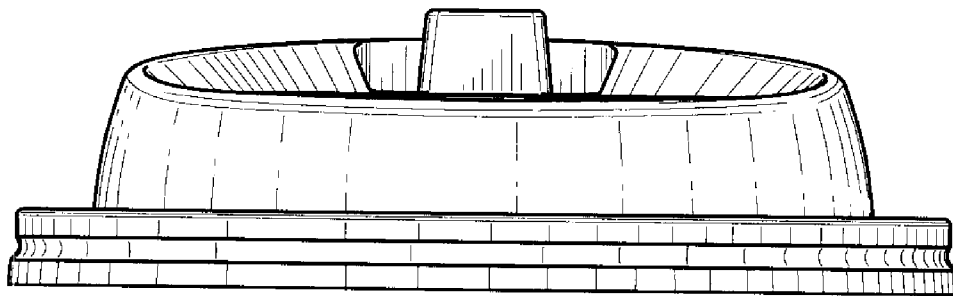


FIG. 5