



US00D629611S

(12) **United States Design Patent**  
**Ellins**

(10) **Patent No.:** **US D629,611 S**

(45) **Date of Patent:** **\*\* Dec. 28, 2010**

(54) **SACHEL LINER**

*Primary Examiner*—Holly H Baynham

(76) Inventor: **Chris Ellins**, 647 Piccadilly Street,  
London, ON (CA) N5Y 3H1

(57) **CLAIM**

The ornamental design for a satchel liner, as shown and described.

(\*\*) Term: **14 Years**

(21) Appl. No.: **29/358,821**

(22) Filed: **Apr. 1, 2010**

(51) **LOC (9) Cl.** ..... **03-01**

(52) **U.S. Cl.** ..... **D3/318**

(58) **Field of Classification Search** ..... D3/232–233,  
D3/240–246, 318, 324; 150/100, 103–110,  
150/113, 114, 118–119

See application file for complete search history.

(56) **References Cited**

**U.S. PATENT DOCUMENTS**

3,451,454	A *	6/1969	Davis	.....	150/113
D232,873	S *	9/1974	Lecube	.....	D3/242
6,029,723	A *	2/2000	Baquero et al.	.....	150/105
6,968,880	B2 *	11/2005	Battaglia et al.	.....	150/103
7,086,437	B1 *	8/2006	Michael	.....	150/103

\* cited by examiner

**DESCRIPTION**

FIG. 1 is a rear elevational view of the present design a satchel liner.

FIG. 2 is front elevational view of the present design the satchel liner shown in FIG. 1.

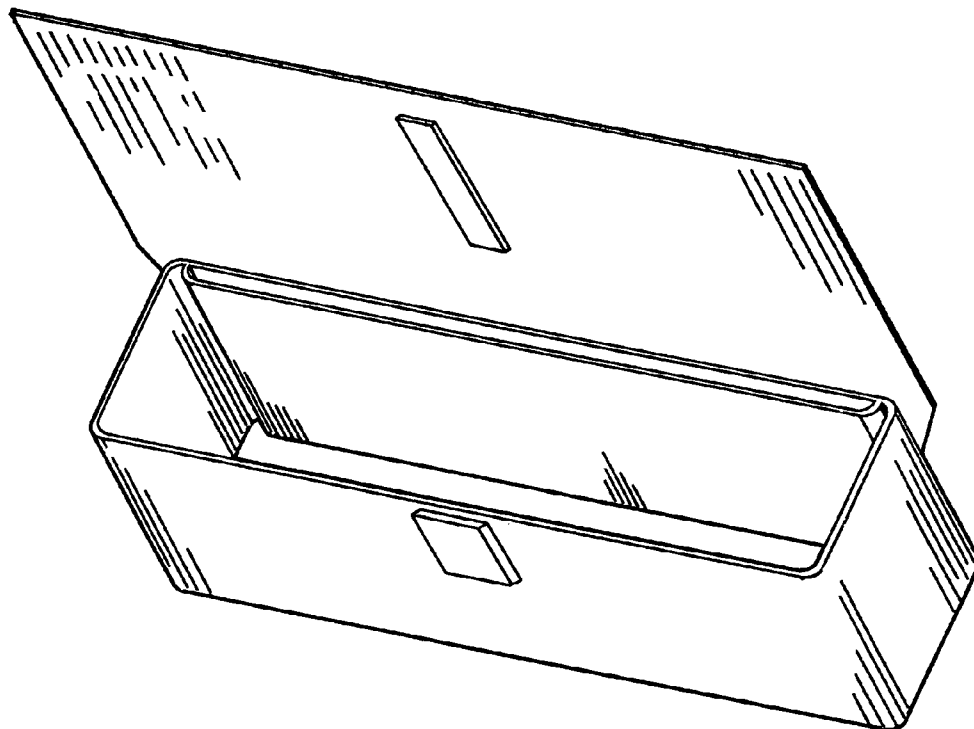
FIG. 3 is a right side elevational view of the present design the satchel liner shown in FIG. 1.

FIG. 4 is an enlarged top, front, right perspective view of the present design of the satchel liner shown in FIG. 1.

FIG. 5 is a top rear right perspective view of the present design the satchel liner shown in FIG. 1; and,

FIG. 6 is a bottom front left perspective view of the present design the satchel liner shown in FIG. 1.

**1 Claim, 4 Drawing Sheets**



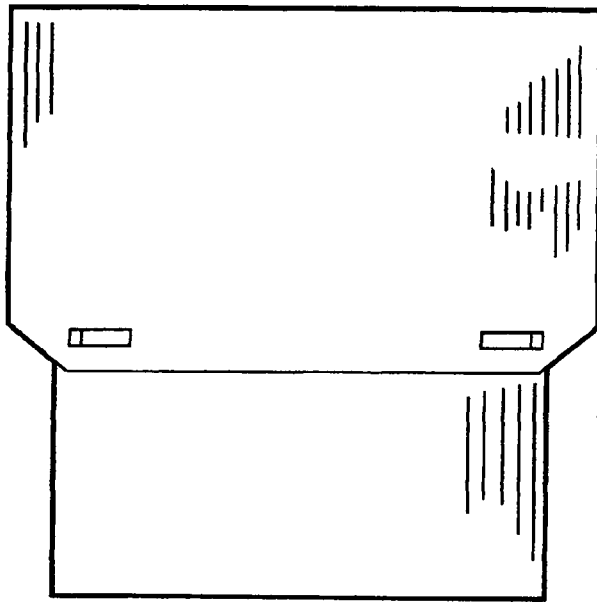


Fig. 1

Fig. 2

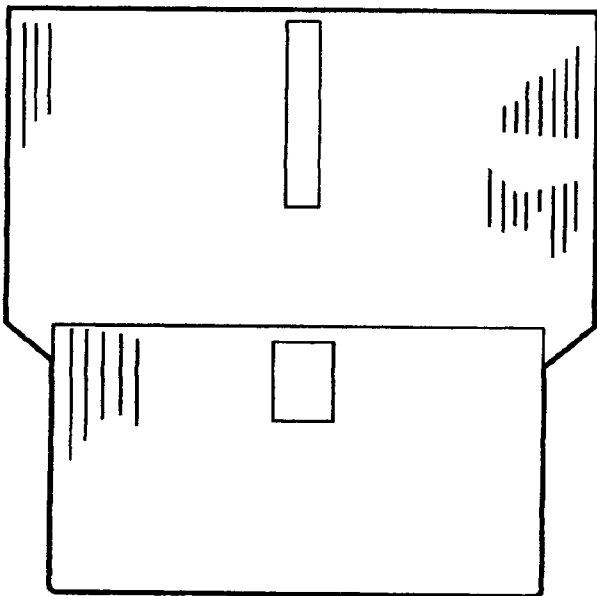


Fig. 3

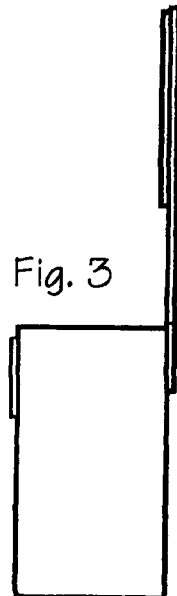


Fig. 4

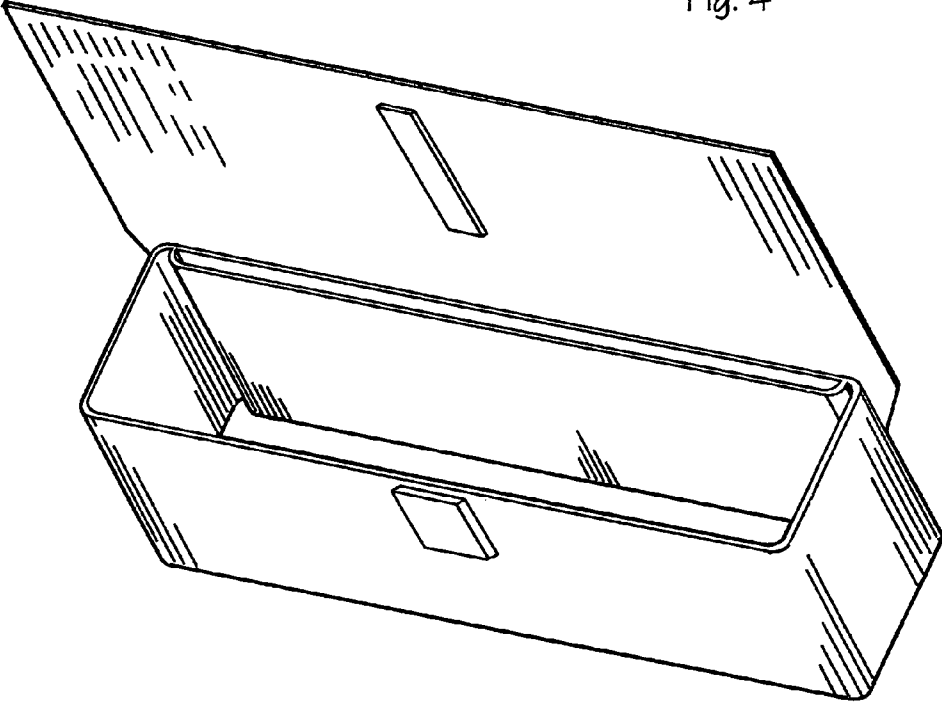


Fig. 5

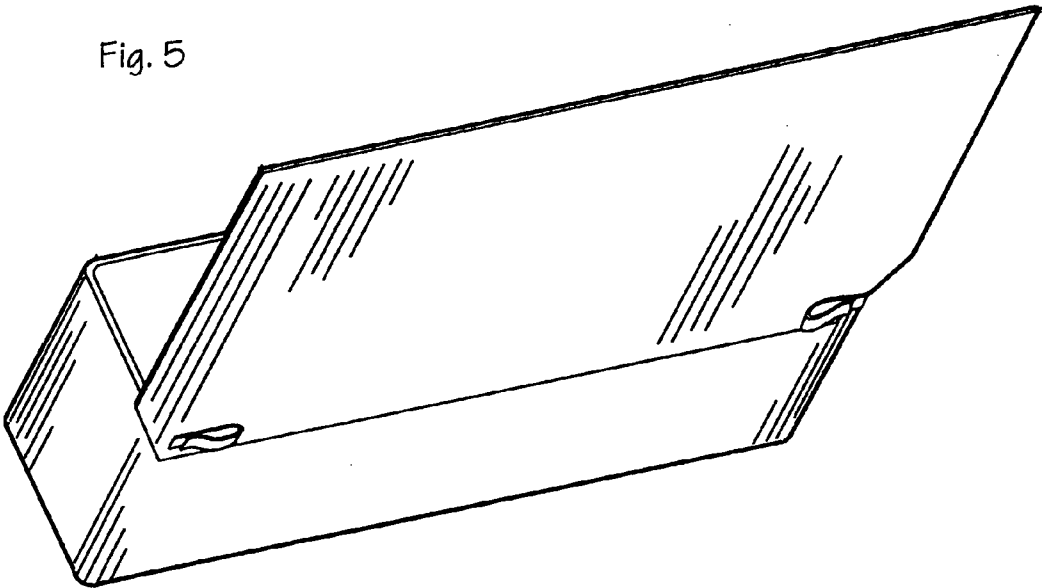


Fig. 6

