



US00D941321S

(12) **United States Design Patent**
Nishikawa

(10) **Patent No.:** **US D941,321 S**
(45) **Date of Patent:** **** Jan. 18, 2022**

(54) **DISPLAY SCREEN OR PORTION THEREOF WITH GRAPHICAL USER INTERFACE**

FOREIGN PATENT DOCUMENTS

(71) Applicant: **Nissan Motor Co., Ltd.**, Kanagawa (JP)

CN 303886113 * 10/2016
CN 304605120 * 5/2018
DE 402018100313-0028 * 6/2018

(72) Inventor: **Tomohiro Nishikawa**, Kanagawa (JP)

OTHER PUBLICATIONS

(73) Assignee: **Nissan Motor Co., Ltd.**, Yokohama (JP)

“Volvo unveils their IntelliSafe Auto Pilot autonomous driving interface [video]” Oct. 5, 2015, Motor1, site visited Dec. 26, 2020: <https://www.motor1.com/photos/431672/volvo-unveils-their-intellisafe-auto-pilot-autonomous-driving-interface-video/> (Year: 2015).*

(**) Term: **15 Years**

(Continued)

(21) Appl. No.: **29/700,984**

Primary Examiner — Jack Reickel

(22) Filed: **Aug. 7, 2019**

Assistant Examiner — Christopher M Spivey

(30) **Foreign Application Priority Data**

(74) *Attorney, Agent, or Firm* — Global IP Counselors, LLP

Feb. 8, 2019 (JP) 2019-002704
Feb. 8, 2019 (JP) 2019-002705
Feb. 8, 2019 (JP) 2019-002706
Feb. 8, 2019 (JP) 2019-002707

(51) **LOC (13) Cl.** **14-04**

(52) **U.S. Cl.**
USPC **D14/486**

(58) **Field of Classification Search**

USPC D14/485-495; D12/192; 340/435, 441, 340/903; 116/62.1; 701/301, 96
CPC B60K 2370/155; B60K 2370/11; B60K 2370/1438; B60K 2310/22; B60K 37/00; B60W 30/143; B60W 30/08; B60W 30/12; B60W 30/146; B60W 30/16; B60W 2050/146; B60W 50/14; B60W 50/0098; B60W 50/08; B60W 2554/804; B60W 2555/60; G01C 21/3658; G01S 2013/932;

(Continued)

(57) **CLAIM**

The ornamental design for a display screen or portion thereof with graphical user interface, as shown and described.

DESCRIPTION

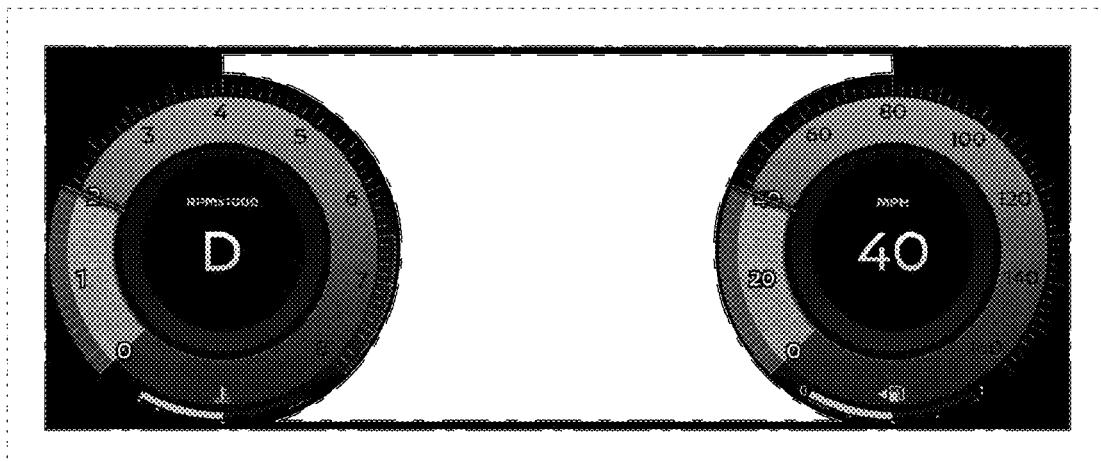
FIG. 1 is a perspective view of the first embodiment of a display screen or portion thereof with graphical user interface showing our new design; FIG. 2 is a front view thereof; FIG. 3 is a perspective view of the second embodiment of a display screen or portion thereof with graphical user interface showing our new design; and, FIG. 4 is a front view thereof. The broken line showing of a display screen or portion thereof is for the purpose of illustrating environmental structure and forms no part of the claimed design. The dot-dash line(s) define the bounds of the claimed design and form no part thereof.

(56) **References Cited**

U.S. PATENT DOCUMENTS

D307,127 S * 4/1990 Simons D12/192
D667,018 S * 9/2012 Clanton D14/485
(Continued)

1 Claim, 4 Drawing Sheets



(58) **Field of Classification Search**

CPC G06F 3/04847; G06F 3/0488; G06F 3/04817; G06F 3/0482; G06F 3/0484; G06F 11/3065; G06F 11/328; G06K 9/00791; G08G 1/167; G08G 1/0112; H04N 21/41422; H04W 4/48

See application file for complete search history.

2017/0253122 A1* 9/2017 Jun B60K 35/00
 2018/0018083 A1* 1/2018 Cengil B60K 37/06
 2018/0182241 A1* 6/2018 Ahn G08G 1/0967
 2019/0066368 A1* 2/2019 Paul B60K 37/02
 2019/0071075 A1* 3/2019 Mimura G08G 1/16
 2019/0204827 A1* 7/2019 Bhalla G05D 1/0061
 2019/0329795 A1* 10/2019 Palzer B60W 50/14
 2020/0219398 A1* 7/2020 Shimizu B60W 30/18163
 2020/0247319 A1* 8/2020 Shimizu G08G 1/16

(56) **References Cited**

U.S. PATENT DOCUMENTS

D706,283 S * 6/2014 Pedraza Padilla D14/486
 D723,582 S * 3/2015 Green D14/486
 D729,820 S * 5/2015 Yamasaki D14/485
 D729,829 S * 5/2015 Amin D14/486
 D798,889 S * 10/2017 Mochel D14/486
 D800,149 S * 10/2017 Messineo, Jr. D14/486
 10,730,389 B2* 8/2020 Braun B60K 37/02
 D915,453 S * 4/2021 Meier D14/488
 D921,670 S * 6/2021 Kim D14/486
 2008/0309475 A1* 12/2008 Kuno B60K 37/02
 340/462
 2015/0015376 A1* 1/2015 Jenkins G08C 17/02
 340/12.5
 2015/0153936 A1* 6/2015 Lim G06F 3/04883
 715/716
 2015/0352956 A1* 12/2015 Miuchi B60W 40/10
 701/41
 2017/0210371 A1* 7/2017 Fraser B60K 37/02
 2017/0227759 A1* 8/2017 Kobayashi B60K 37/02

OTHER PUBLICATIONS

Baltariu, Remus “Car Dashboard” Mar. 9, 2017, Dribbble, site visited Jul. 2, 2021: <https://dribbble.com/shots/3351208-Car-Dashboard> (Year: 2017).*

Johnson, Kasper “Speedometer Concept” Oct. 21, 2014, Dribbble, site visited Jul. 2, 2021: <https://dribbble.com/shots/1775119-Speedometer-Concept> (Year: 2014).*

Oprisor, Sorin “Instrument Cluster” Mar. 1, 2018, Dribbble, site visited Jul. 2, 2021: <https://dribbble.com/shots/4287524-Instrument-Cluster> (Year: 2018).*

“Car cluster concept design” Nov. 4, 2016, Dribbble, site visited Jul. 2, 2021: <https://dribbble.com/shots/3069196-car-cluster-concept-design> (Year: 2016).*

“Modern car interior. shallow DOF. selective focus. color toned image” Jul. 10, 2015, Depositphotos, site visited Jul. 2, 2021: <https://depositphotos.com/77634514/stock-photo-modern-car-interior.html> (Year: 2015).*

* cited by examiner

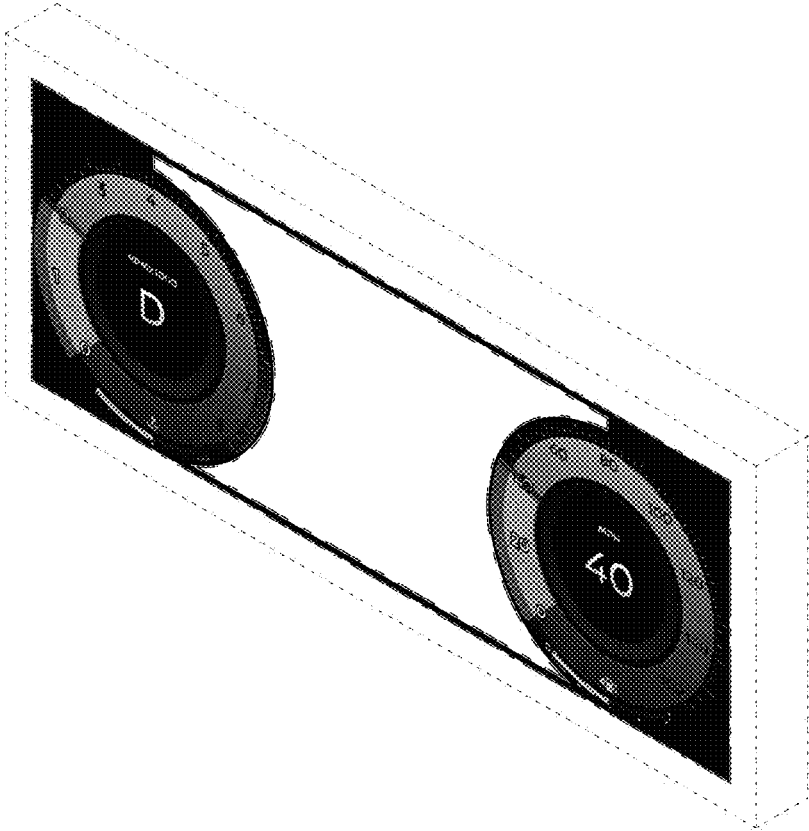


FIG. 1

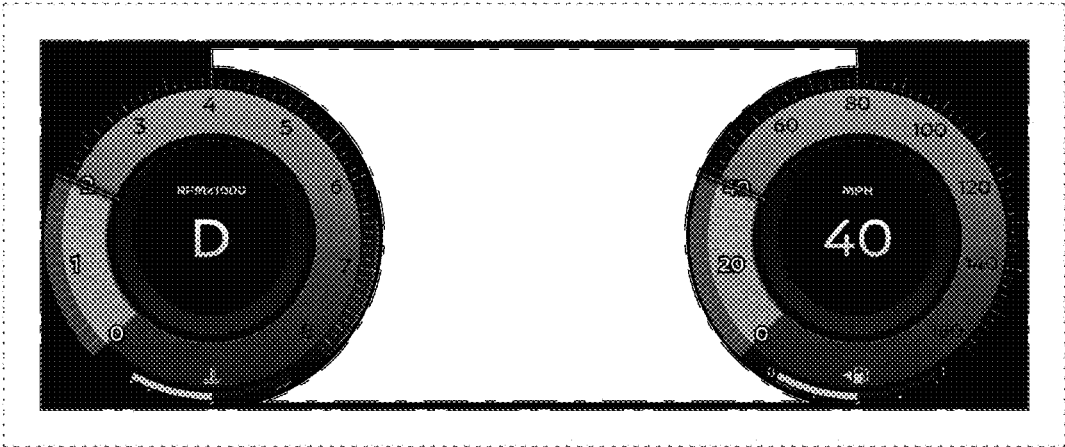


FIG. 2

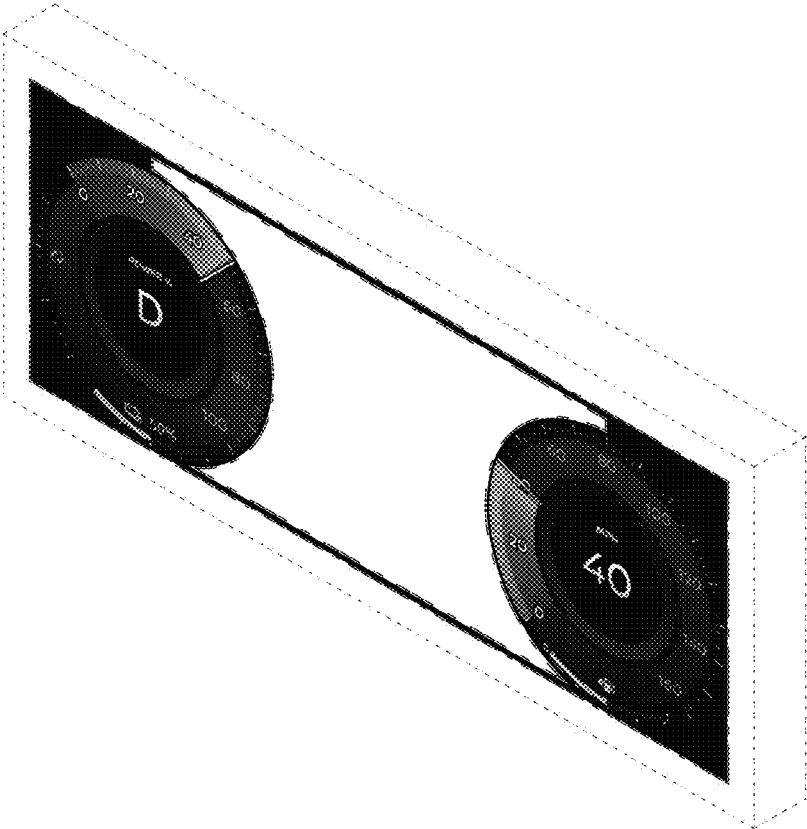


FIG. 3

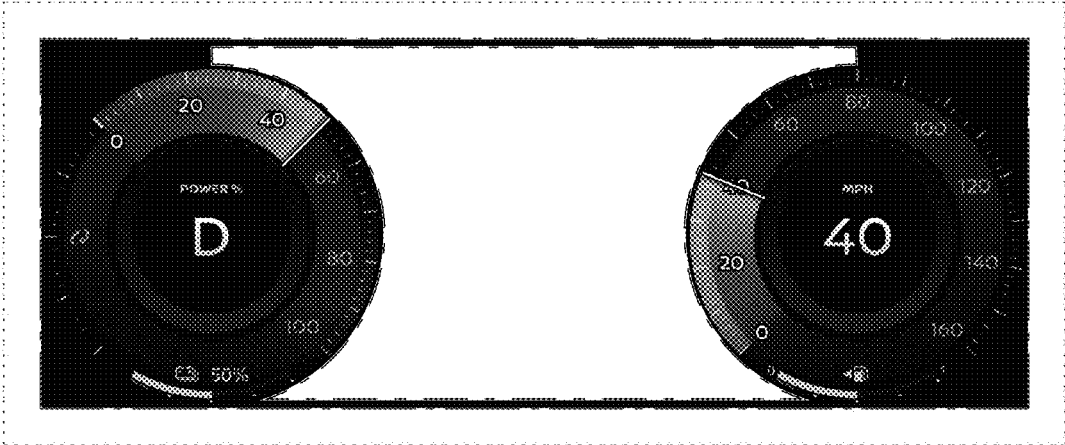


FIG. 4