



US00D961991S

(12) **United States Design Patent** (10) **Patent No.:** **US D961,991 S**
Liu et al. (45) **Date of Patent:** **** Aug. 30, 2022**

(54) **HAND BLENDER**
(71) Applicant: **MIDEA GROUP CO., LTD.**,
Guangdong (CN)
(72) Inventors: **Xian'an Liu**, Guangdong (CN);
Yuqiang Guo, Guangdong (CN); **Weixi Peng**, Guangdong (CN)
(73) Assignee: **MIDEA GROUP CO., LTD.**,
Guangdong (CN)
(**) Term: **15 Years**
(21) Appl. No.: **35/511,202**
(22) Filed: **Sep. 30, 2020**
(80) **Hague Agreement Data**
Int. Filing Date: **Sep. 30, 2020**
Int. Reg. No.: **DM/212135**
Int. Reg. Date: **Sep. 30, 2020**
Int. Reg. Pub. Date: **Jan. 22, 2021**

D361,241	S	*	8/1995	Littmann	D7/379
D383,938	S	*	9/1997	Littmann	D7/379
D394,367	S	*	5/1998	Littmann	D7/379
D408,214	S	*	4/1999	Cousins	D7/376
D426,105	S	*	6/2000	Littmann	D7/376
D447,380	S	*	9/2001	Feil	D7/376
D456,206	S	*	4/2002	Feil	D7/376
D485,729	S	*	1/2004	Patton	D7/379
D506,102	S	*	6/2005	Ikegaki	D7/379
D510,837	S	*	10/2005	Lloyd	D7/379
D533,022	S	*	12/2006	Piret	D7/379
D534,032	S	*	12/2006	Lloyd	D7/380
D614,438	S	*	4/2010	Fukasawa	D7/376
D638,656	S	*	5/2011	Brinckerhoff	D7/376
D644,479	S	*	9/2011	Lownds	D7/380
D649,394	S	*	11/2011	Grabes	D7/380
D651,041	S	*	12/2011	Bachmann	D7/412
D656,359	S	*	3/2012	Stein	D7/378
D662,765	S	*	7/2012	Grabes	D7/378
D668,099	S	*	10/2012	Ferraby	D7/378
D668,911	S	*	10/2012	Bachmann	D7/380
D681,391	S	*	5/2013	Agren	D7/378

(Continued)

Primary Examiner — Steven J Czyz

(30) **Foreign Application Priority Data**
May 25, 2020 (CN) 202030246050.4
(51) **LOC (13) Cl.** **31-00**
(52) **U.S. Cl.**
USPC **D7/379**
(58) **Field of Classification Search**
USPC D7/376, 377, 378, 379
CPC A21C 1/00; A21C 1/02; A47J 43/04; A47J
43/046; A47J 43/06; A47J 43/0716; A47J
2043/04418
See application file for complete search history.

(57) **CLAIM**

The ornamental design for a hand blender, as shown and described.

DESCRIPTION

- 1. Hand blender
- 1.1 Front
- 1.2 Back
- 1.3 Left
- 1.4 Right
- 1.5 Top
- 1.6 Bottom
- 1.7 Perspective

The broken lines in reproductions 1.2 and 1.6 depict portions of the hand blender that form no part of the claimed design.

(56) **References Cited**
U.S. PATENT DOCUMENTS
D348,587 S * 7/1994 Saltet D7/378
5,366,286 A * 11/1994 Ruttimann A47J 43/0705
366/331

1 Claim, 7 Drawing Sheets



(56)

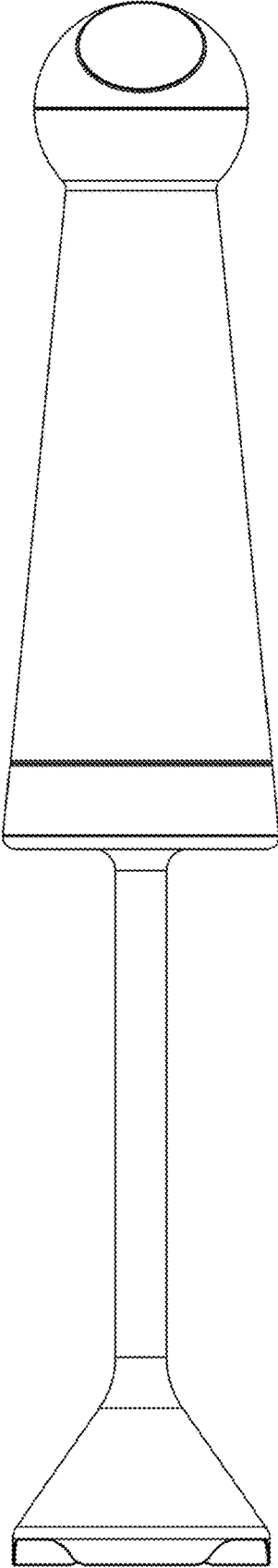
References Cited

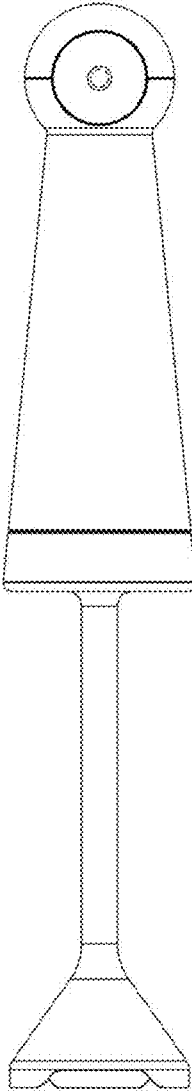
U.S. PATENT DOCUMENTS

D695,565 S *	12/2013	Verbrugge	D7/378	D911,095 S *	2/2021	Koszylo	D7/378
D703,481 S *	4/2014	Lownds	D7/378	D912,460 S *	3/2021	Ye	D7/380
D724,373 S *	3/2015	Ji	D7/412	D922,132 S *	6/2021	Gee	D7/380
D724,374 S *	3/2015	Sanguinetti	D7/412	D925,272 S *	7/2021	McConnell	D7/380
D726,496 S *	4/2015	Vu	D7/380	D932,826 S *	10/2021	Du	D7/380
D751,858 S *	3/2016	Zhang	D7/378	D939,268 S *	12/2021	McConnell	D7/380
D756,166 S *	5/2016	Lee	D7/380	D943,339 S *	2/2022	Jo	D7/380
D758,788 S *	6/2016	Suzuki	D7/380	D944,589 S *	3/2022	Wu	D7/412
D767,934 S *	10/2016	McConnell	D7/380	2005/0078549 A1 *	4/2005	Hamelin	A47J 43/0711 366/129
D769,062 S *	10/2016	McConnell	D7/380	2008/0043569 A1 *	2/2008	Moschetti	B01F 33/5011 366/279
D783,339 S *	4/2017	Mullen	D7/378	2009/0284027 A1 *	11/2009	Ogrizek	A47J 43/0705 29/428
D794,382 S *	8/2017	Vu	D7/380	2009/0303830 A1 *	12/2009	Wilson	A47J 43/044 366/129
D796,255 S *	9/2017	Vu	D7/380	2011/0235461 A1 *	9/2011	Gursel	B01F 27/2322 366/129
D798,652 S *	10/2017	Müller	D7/380	2015/0375184 A1 *	12/2015	Cheung	B01F 33/5011 366/129
D805,345 S *	12/2017	Ho	D7/380	2016/0015216 A1 *	1/2016	Egger	A47J 43/044 366/129
D808,211 S *	1/2018	Vu	D7/378	2016/0100716 A1 *	4/2016	Cheung	A47J 43/044 366/129
D817,081 S *	5/2018	Verbrugge	D7/379	2016/0128514 A1 *	5/2016	Merl	H02K 7/08 366/129
D843,163 S *	3/2019	Gan	D7/380	2016/0143482 A1 *	5/2016	Hosner	A47J 43/044 366/129
D846,340 S *	4/2019	Gan	D7/380	2017/0065944 A1 *	3/2017	Cheung	A47J 43/0755
D848,205 S *	5/2019	Mullen	D7/378				
D861,413 S *	10/2019	Bazzicalupo	A47J 43/04 D7/379				
D881,636 S *	4/2020	Symons	D7/378				
D886,512 S *	6/2020	Thun	D7/378				
D891,855 S *	8/2020	McConnell	D7/380				
D897,145 S *	9/2020	Xiao	D7/378				
D909,119 S *	2/2021	McConnell	D7/380				

* cited by examiner

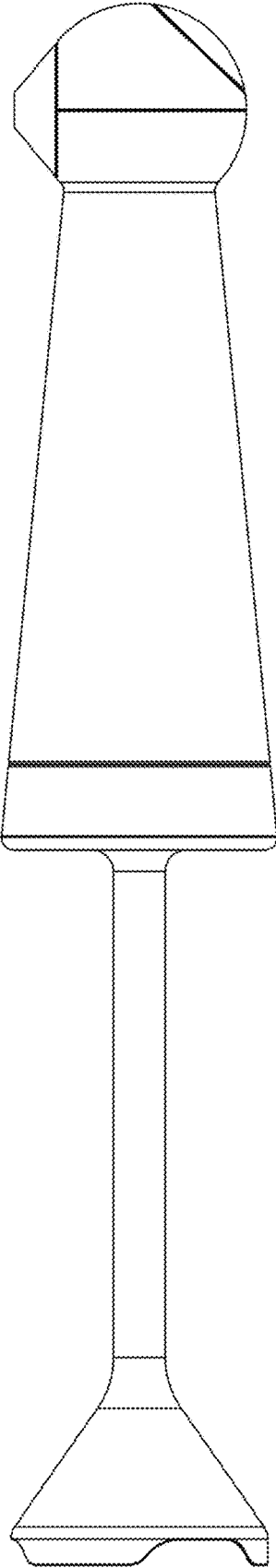
1.1



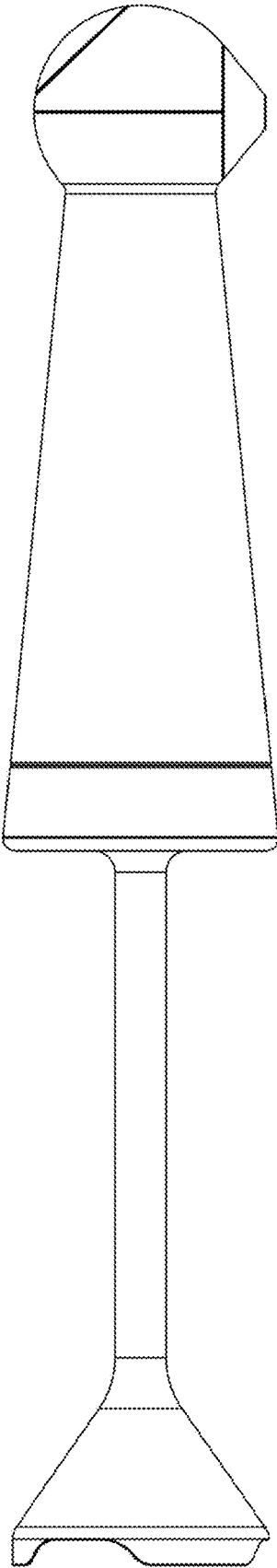


1.2

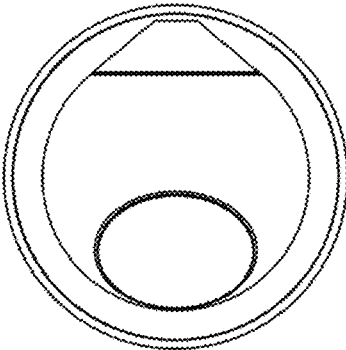
1.3

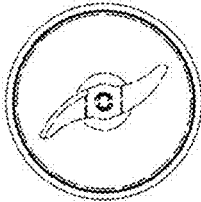


1.4



1.5





1.7

