



(51) International Patent Classification:
F04C 18/02 (2006.01) F04C 29/00 (2006.01)
F04C 29/12 (2006.01) F04C 2/02 (2006.01)

(72) Inventor; and
(75) Inventor/Applicant (for US only): **DOEPKER, Roy J.**
[US/US]; 2042 Sandy Lane, Lima, Ohio 45806 (US).

(21) International Application Number:
PCT/US2011/025921

(74) Agents: **MALINZAK, Michael** et al.; Harness, Dickey & Pierce, P.L.C., P.O. Box 828, Bloomfield Hills, Michigan 48303 (US).

(22) International Filing Date:
23 February 2011 (23.02.2011)

(81) Designated States (unless otherwise indicated, for every kind of national protection available): AE, AG, AL, AM, AO, AT, AU, AZ, BA, BB, BG, BH, BR, BW, BY, BZ, CA, CH, CL, CN, CO, CR, CU, CZ, DE, DK, DM, DO, DZ, EC, EE, EG, ES, FI, GB, GD, GE, GH, GM, GT, HN, HR, HU, ID, IL, IN, IS, JP, KE, KG, KM, KN, KP, KR, KZ, LA, LC, LK, LR, LS, LT, LU, LY, MA, MD, ME, MG, MK, MN, MW, MX, MY, MZ, NA, NG, NI, NO, NZ, OM, PE, PG, PH, PL, PT, RO, RS, RU, SC, SD, SE, SG, SK, SL, SM, ST, SV, SY, TH, TJ, TM, TN, TR, TT, TZ, UA, UG, US, UZ, VC, VN, ZA, ZM, ZW.

(25) Filing Language: English

(26) Publication Language: English

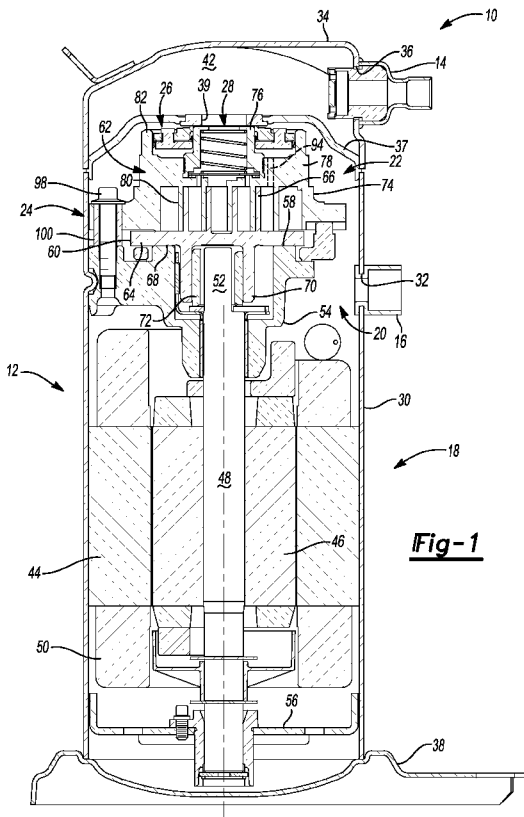
(30) Priority Data:
61/307,135 23 February 2010 (23.02.2010) US
13/032,179 22 February 2011 (22.02.2011) US

(71) Applicant (for all designated States except US): **EMERSON CLIMATE TECHNOLOGIES, INC.** [US/US];
1675 W. Campbell Rd., Sidney, Ohio 45365-0669 (US).

(84) Designated States (unless otherwise indicated, for every kind of regional protection available): ARIPO (BW, GH,

[Continued on next page]

(54) Title: COMPRESSOR INCLUDING VALVE ASSEMBLY



(57) Abstract: A compressor hub assembly may include a hub member, a valve retainer and a valve member. The hub member may include first and second portions. The first portion may define an annular hub wall for a compressor and may have a first inner diameter. The second portion may have a second inner diameter greater than the first inner diameter and may define a stepped region between the first and second portions. The valve retainer may be fixed to the hub member at an end of the second portion opposite the stepped region and may define a third inner diameter. The valve member may be located between the valve retainer in the stepped region and may have an outer diameter less than the second inner diameter and greater than the first and third inner diameters.

WO 2011/106422 A3



GM, KE, LR, LS, MW, MZ, NA, SD, SL, SZ, TZ, UG, ZM, ZW), Eurasian (AM, AZ, BY, KG, KZ, MD, RU, TJ, TM), European (AL, AT, BE, BG, CH, CY, CZ, DE, DK, EE, ES, FI, FR, GB, GR, HR, HU, IE, IS, IT, LT, LU, LV, MC, MK, MT, NL, NO, PL, PT, RO, RS, SE, SI, SK, SM, TR), OAPI (BF, BJ, CF, CG, CI, CM, GA, GN, GQ, GW, ML, MR, NE, SN, TD, TG).

— *as to the applicant's entitlement to claim the priority of the earlier application (Rule 4.17(iii))*

Published:

— *with international search report (Art. 21(3))*

— *before the expiration of the time limit for amending the claims and to be republished in the event of receipt of amendments (Rule 48.2(h))*

Declarations under Rule 4.17:

— *as to applicant's entitlement to apply for and be granted a patent (Rule 4.17(ii))*

(88) Date of publication of the international search report:

1 December 2011

A. CLASSIFICATION OF SUBJECT MATTER*F04C 18/02(2006.01)i, F04C 29/12(2006.01)i, F04C 29/00(2006.01)i, F04C 2/02(2006.01)i*

According to International Patent Classification (IPC) or to both national classification and IPC

B. FIELDS SEARCHED

Minimum documentation searched (classification system followed by classification symbols)

F04C 18/02; F04C 29/10; F04B 39/10; F01C 1/02

Documentation searched other than minimum documentation to the extent that such documents are included in the fields searched

Korean utility models and applications for utility models

Japanese utility models and applications for utility models

Electronic data base consulted during the international search (name of data base and, where practicable, search terms used)

eKOMPASS(KIPO internal) & Keywords:compressor, scroll, hub, valve

C. DOCUMENTS CONSIDERED TO BE RELEVANT

Category*	Citation of document, with indication, where appropriate, of the relevant passages	Relevant to claim No.
A	JP 2003-106258 A (COPELAND CO.) 09 April 2003 see paragraph 8 - paragraph 26 and figure 1.	1-21
A	JP 08-334094 A (COPELAND CO.) 17 December 1996 see paragraph 5 - paragraph 91 and figure 1.	1-21
A	JP 2003-227479 A (LG ELECTRONICS INC) 15 August 2003 see paragraph 25 - paragraph 62 and figure 1.	1-21

 Further documents are listed in the continuation of Box C. See patent family annex.

* Special categories of cited documents:

"A" document defining the general state of the art which is not considered to be of particular relevance

"E" earlier application or patent but published on or after the international filing date

"L" document which may throw doubts on priority claim(s) or which is cited to establish the publication date of citation or other special reason (as specified)

"O" document referring to an oral disclosure, use, exhibition or other means

"P" document published prior to the international filing date but later than the priority date claimed

"T" later document published after the international filing date or priority date and not in conflict with the application but cited to understand the principle or theory underlying the invention

"X" document of particular relevance; the claimed invention cannot be considered novel or cannot be considered to involve an inventive step when the document is taken alone

"Y" document of particular relevance; the claimed invention cannot be considered to involve an inventive step when the document is combined with one or more other such documents, such combination being obvious to a person skilled in the art

"&" document member of the same patent family

Date of the actual completion of the international search

07 OCTOBER 2011 (07.10.2011)

Date of mailing of the international search report

07 OCTOBER 2011 (07.10.2011)

Name and mailing address of the ISA/KR

Korean Intellectual Property Office
Government Complex-Daejeon, 189 Cheongsa-ro,
Seo-gu, Daejeon 302-701, Republic of Korea

Facsimile No. 82-42-472-7140

Authorized officer

KIM, DONG JIN

Telephone No. 82-42-481-5415



INTERNATIONAL SEARCH REPORT

Information on patent family members

International application No.

PCT/US2011/025921

Patent document cited in search report	Publication date	Patent family member(s)	Publication date		
JP 2003-106258 A	09.04.2003	AU 2002-300780 B2	23.02.2006		
		AU 2002-300780 B9	13.04.2006		
		AU 2002-300780 B9	23.02.2006		
		BR 0203617 A	03.06.2003		
		CN 100419270 C0	17.09.2008		
		CN 1407234 A0	02.04.2003		
		EP 1291529 A2	12.03.2003		
		EP 1291529 A3	16.07.2003		
		KR 10-2003-0021117 A	12.03.2003		
		KR20030021117A	12.03.2003		
		MX PA02008501A	07.03.2003		
		TW 531593 B	11.05.2003		
		US 2003-0044296 A1	06.03.2003		
		US 6537043 B1	25.03.2003		
		JP 08-334094 A	17.12.1996	AU 1998-93087 A1	23.04.1999
				AU 1998-93087 B2	13.06.2002
CN 100344923 C0	24.10.2007				
CN 100453814 C0	21.01.2009				
CN 100460683 C0	11.02.2009				
CN 100513791 C	15.07.2009				
CN 100557247 C	04.11.2009				
CN 100565050 C	02.12.2009				
CN 1137614 A	11.12.1996				
CN 1137614 A0	10.12.1996				
CN 1139727 C0	25.02.2004				
CN 1238674 C0	25.01.2006				
CN 1272171 A0	01.11.2000				
CN 1308633 C0	04.04.2007				
CN 1506584 A	23.06.2004				
CN 1506584 C0	18.10.2006				
CN 1517553 A	04.08.2004				
CN 1517553 C0	04.08.2004				
CN 1607478 A	20.04.2005				
CN 1607478 B	05.05.2010				
CN 1607478 C	05.05.2010				
CN 1607478 C0	20.04.2005				
CN 1664372 A	07.09.2005				
CN 1664372 C0	07.09.2005				
CN 1664373 A	07.09.2005				
CN 1664373 C0	07.09.2005				
CN 1664473 A	07.09.2005				
CN 1664474 A	07.09.2005				
CN 1664474 C0	12.11.2008				
CN 1664475 A	07.09.2005				
CN 1664476 A	07.09.2005				
CN 1664476 C0	12.11.2008				
CN 1900526 A	24.01.2007				
CN 1900526 C0	24.01.2007				

INTERNATIONAL SEARCH REPORT

Information on patent family members

International application No.

PCT/US2011/025921

Patent document cited in search report	Publication date	Patent family member(s)	Publication date
		CN 1908437 A	07.02.2007
		CN 1908438 A	07.02.2007
		CN 1920305 A	28.02.2007
		CN 1920305 C0	28.02.2007
		CN 1952813 A	25.04.2007
		CN 1952813 B	12.05.2010
		CN 1952813 C0	25.04.2007
		DE 69534835 D1	04.05.2006
		DE 69534835 T2	31.08.2006
		EP 0747597 A2	11.12.1996
		EP 0747597 A3	20.01.1999
		EP 0747597 B1	08.03.2006
		EP 1025403 A1	09.08.2000
		EP 1025403 A4	24.10.2002
		EP 1025403 B1	18.01.2006
		EP 1489368 A2	22.12.2004
		EP 1489368 A3	01.06.2005
		EP 1598611 A2	23.11.2005
		EP 1598611 A3	15.07.2009
		EP 1598612 A2	23.11.2005
		EP 1598612 A3	15.07.2009
		EP 1598613 A2	23.11.2005
		EP 1598614 A2	23.11.2005
		EP 1598615 A2	23.11.2005
		EP 1621771 A2	01.02.2006
		EP 1621771 A3	04.04.2007
		EP 1621772 A2	01.02.2006
		EP 1621772 A3	04.04.2007
		EP 1621772 B1	09.03.2011
		ES 2258766 T3	01.09.2006
		IN 188063 A1	17.08.2002
		IN 192793 A1	22.05.2004
		JP 03-959437 B2	15.08.2007
		JP 04-157275 B2	01.10.2008
		JP 04-486624 B2	02.04.2010
		JP 04-621179 B2	05.11.2010
		JP 2001-518601 A	16.10.2001
		JP 2006-300075 A	02.11.2006
		JP 2006-300076 A	02.11.2006
		JP 2006-300077 A	02.11.2006
		JP 4486624 B2	23.06.2010
		JP 4621179 B2	26.01.2011
		KR 10-0303943 B1	20.06.2002
		KR 10-0517684 B1	28.09.2005
		KR 10-0547984 B1	01.02.2006
		US 05741120A A	21.04.1998
		US 06047557A A	11.04.2000
		US 06086335A A	11.07.2000
		US 2001-0002239 A1	31.05.2001
		US 2001-0045097 A1	29.11.2001

INTERNATIONAL SEARCH REPORT

Information on patent family members

International application No.

PCT/US2011/025921

Patent document cited in search report	Publication date	Patent family member(s)	Publication date
		US 2001-0049942 A1	13.12.2001
		US 2002-0178737 A1	05.12.2002
		US 2003-0084672 A1	08.05.2003
		US 2003-0089119 A1	15.05.2003
		US 2003-0094004 A1	22.05.2003
		US 2004-0123612 A1	01.07.2004
		US 2006-0288715 A1	28.12.2006
		US 2007-0022771 A1	01.02.2007
		US 6393852 B2	28.05.2002
		US 6408635 B1	25.06.2002
		US 6449972 B2	17.09.2002
		US 6467280 B2	22.10.2002
		US 6499305 B2	31.12.2002
		US 6662578 B2	16.12.2003
		US 6662583 B2	16.12.2003
		US 6679072 B2	20.01.2004
		US 7389649 B2	24.06.2008
		US 7419365 B2	02.09.2008
		US 7654098 B2	02.02.2010
		US E040400 E1	24.06.2008
		US E040554 E1	28.10.2008
		US E042006 E1	28.12.2010
		US RE40400 E1	24.06.2008
		US RE40554 E1	28.10.2008
		WO 99-17066 A1	08.04.1999
JP 2003-227479 A	15.08.2003	CN 1219981 C	21.09.2005
		CN 1219981 C0	21.09.2005
		CN 1431399 A	23.07.2003
		JP 04-283548 B2	27.03.2009
		JP 4283548 B2	24.06.2009
		KR 10-0421393 B1	09.03.2004
		KR20030061117A	18.07.2003
		US 2003-0129066 A1	10.07.2003
		US 6769881 B2	03.08.2004