



US00D556496S

(12) **United States Design Patent** (10) **Patent No.:** **US D556,496 S**
Fung (45) **Date of Patent:** **** Dec. 4, 2007**

(54) **COFFEE MAKER**

D543,771 S * 6/2007 Julemont D7/309

(75) Inventor: **Kam Fai Fung**, Tuen Mun (CN)

* cited by examiner

(73) Assignee: **Conair Corporation**, Stamford, CT (US)

Primary Examiner—M. N. Pandozzi
(74) *Attorney, Agent, or Firm*—Lawrence Cruz

(**) Term: **14 Years**

(57) **CLAIM**

(21) Appl. No.: **29/254,497**

The ornamental design for a coffee maker, as shown and described.

(22) Filed: **Feb. 24, 2006**

DESCRIPTION

(51) **LOC (8) Cl.** **07-01**

FIG. 1 is a front perspective view of a coffee maker showing my new design;

(52) **U.S. Cl.** **D7/309; D7/307; D7/308; D7/311**

FIG. 2 is a rear perspective view thereof;

(58) **Field of Classification Search** D7/306–311, D7/300; 99/293, 299, 323.1, 281, 290
See application file for complete search history.

FIG. 3 is a front view thereof;

FIG. 4 is a right side view thereof;

FIG. 5 is a rear view thereof;

FIG. 6 is a top view thereof; and,

FIG. 7 is a bottom view.

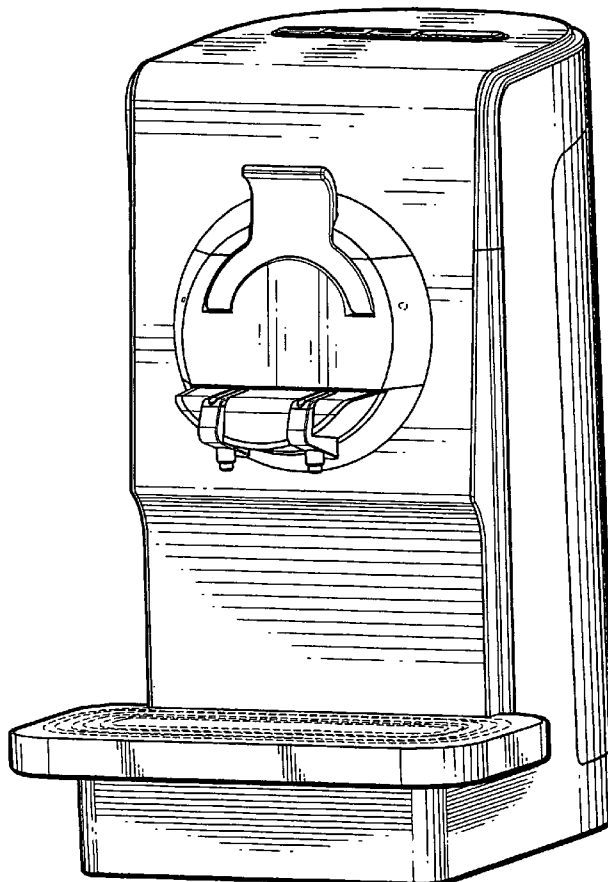
(56) **References Cited**

The broken lines are shown for illustrative purposes only and form no part of the claimed design.

U.S. PATENT DOCUMENTS

- D495,190 S * 8/2004 Picozza et al. D7/309
- D510,675 S * 10/2005 Ball D7/306
- D540,101 S * 4/2007 Cahen D7/309
- D540,608 S * 4/2007 Cahen D7/309

1 Claim, 7 Drawing Sheets



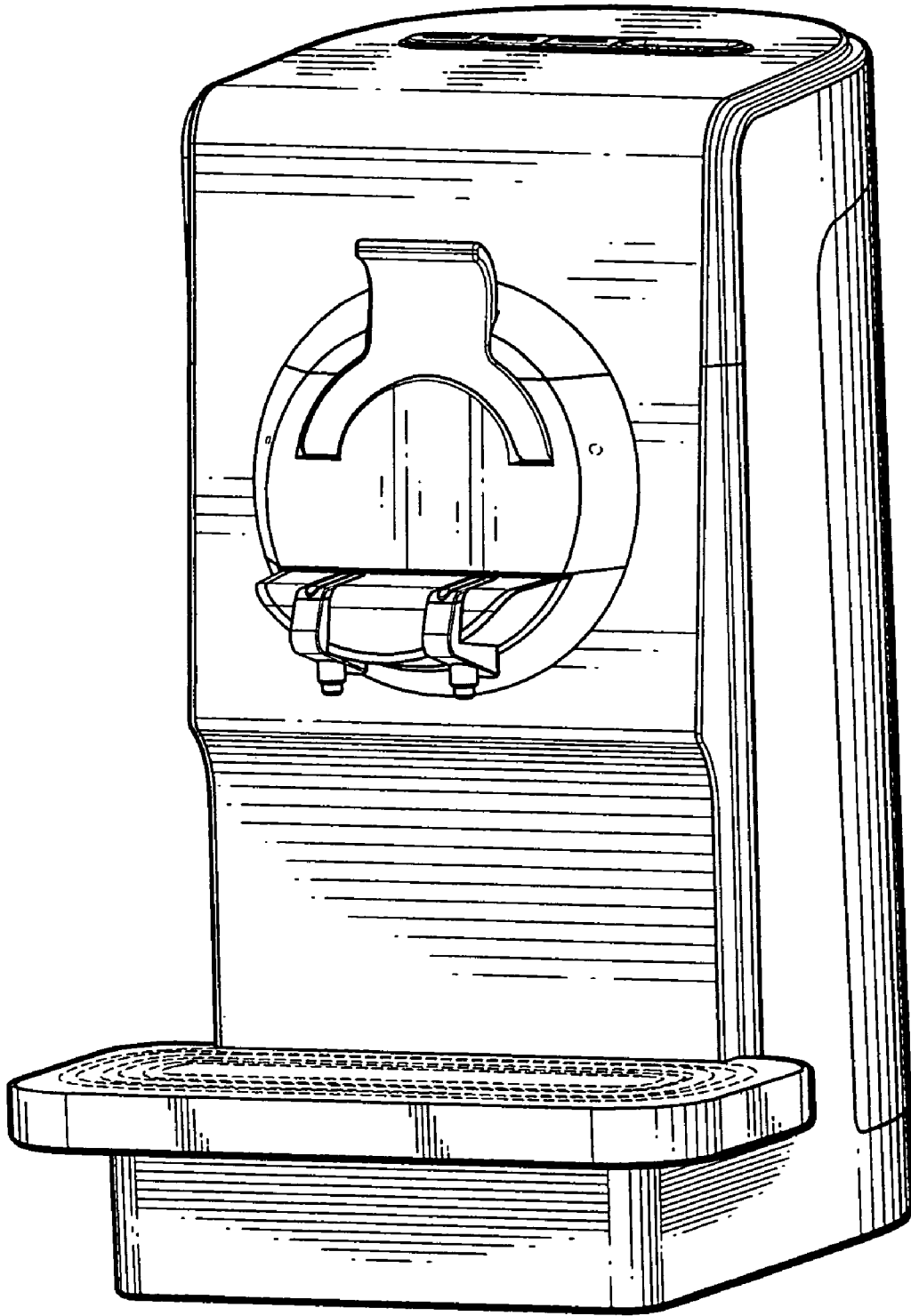


FIG. 1

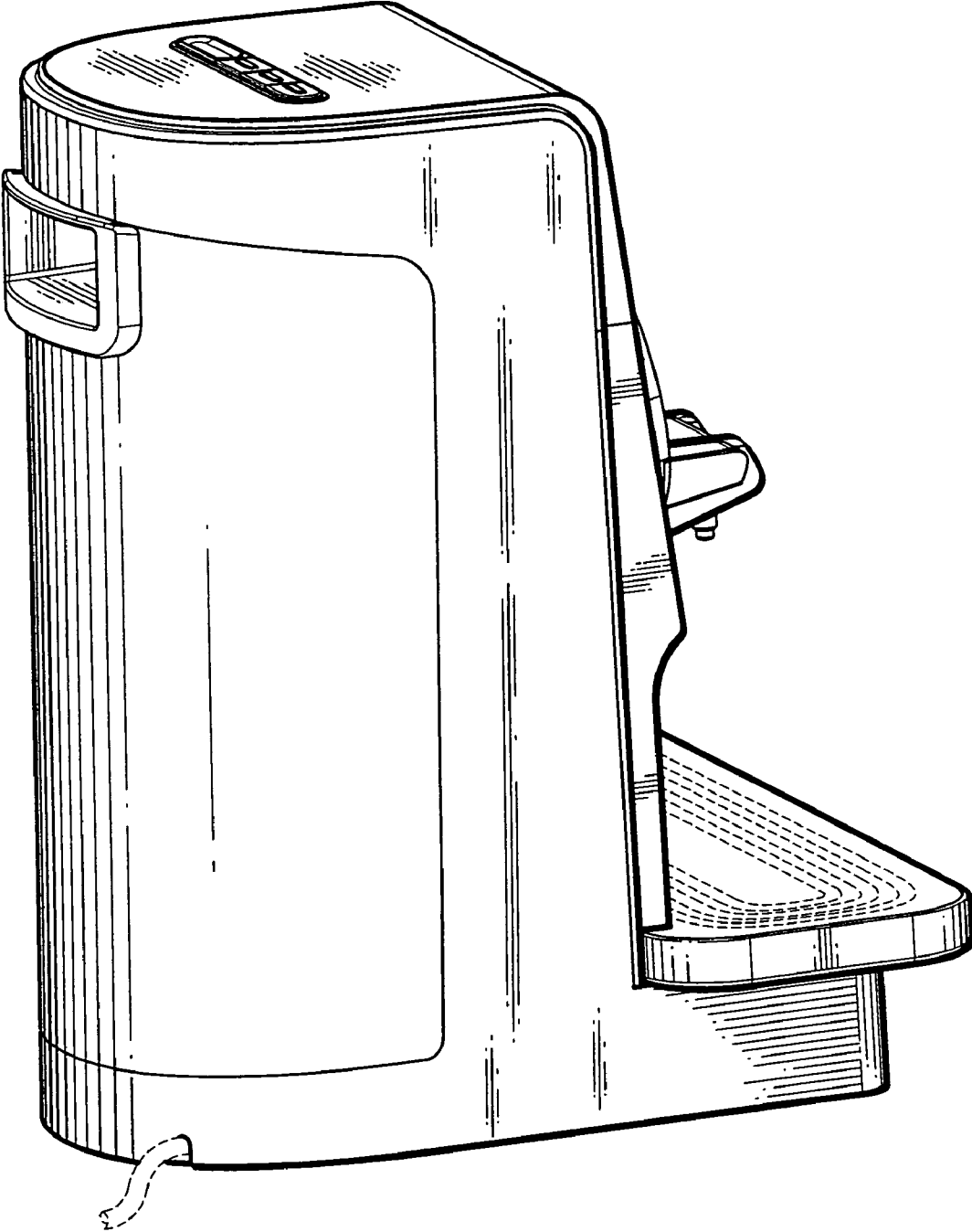


FIG. 2

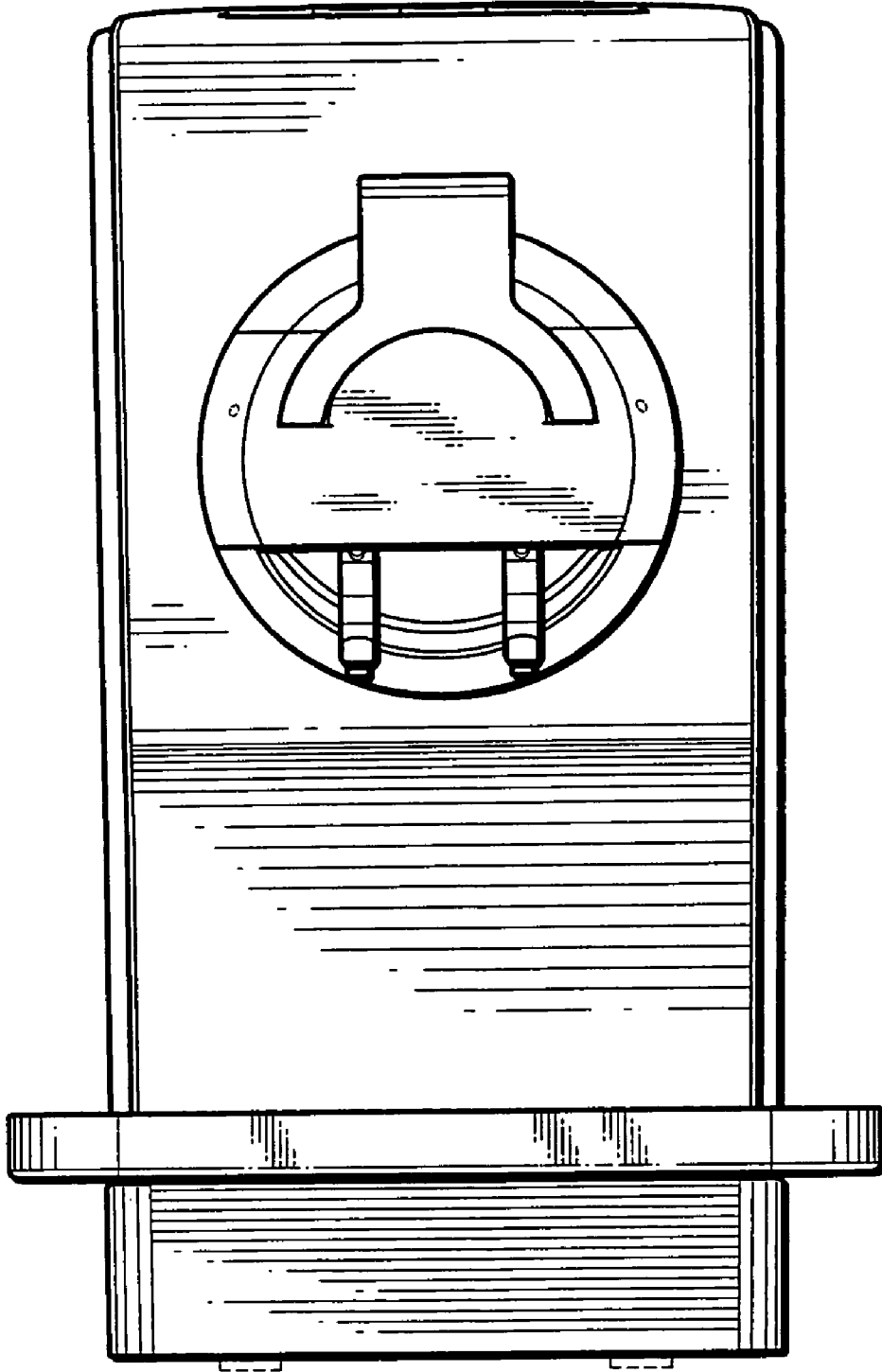


FIG. 3

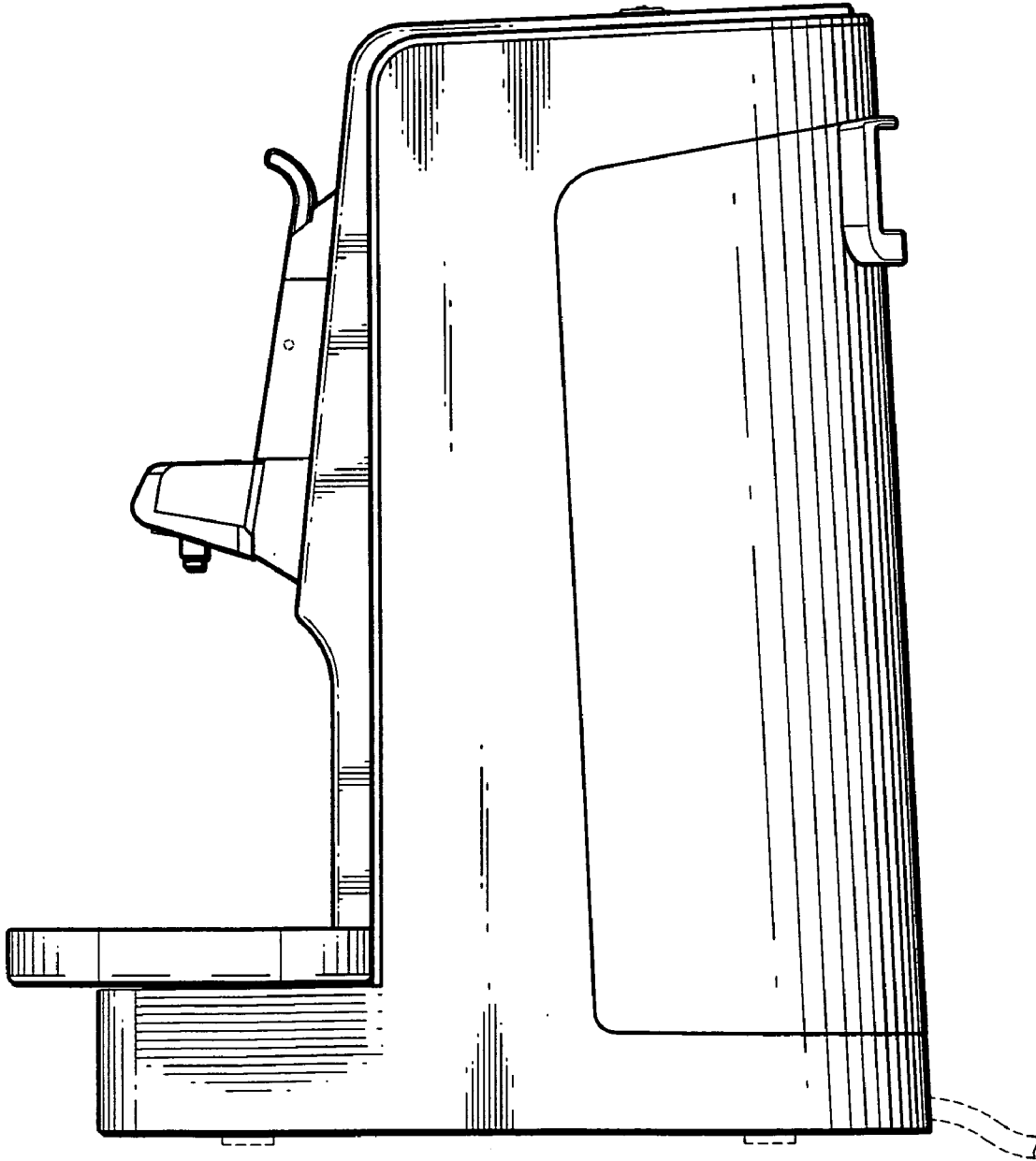


FIG. 4

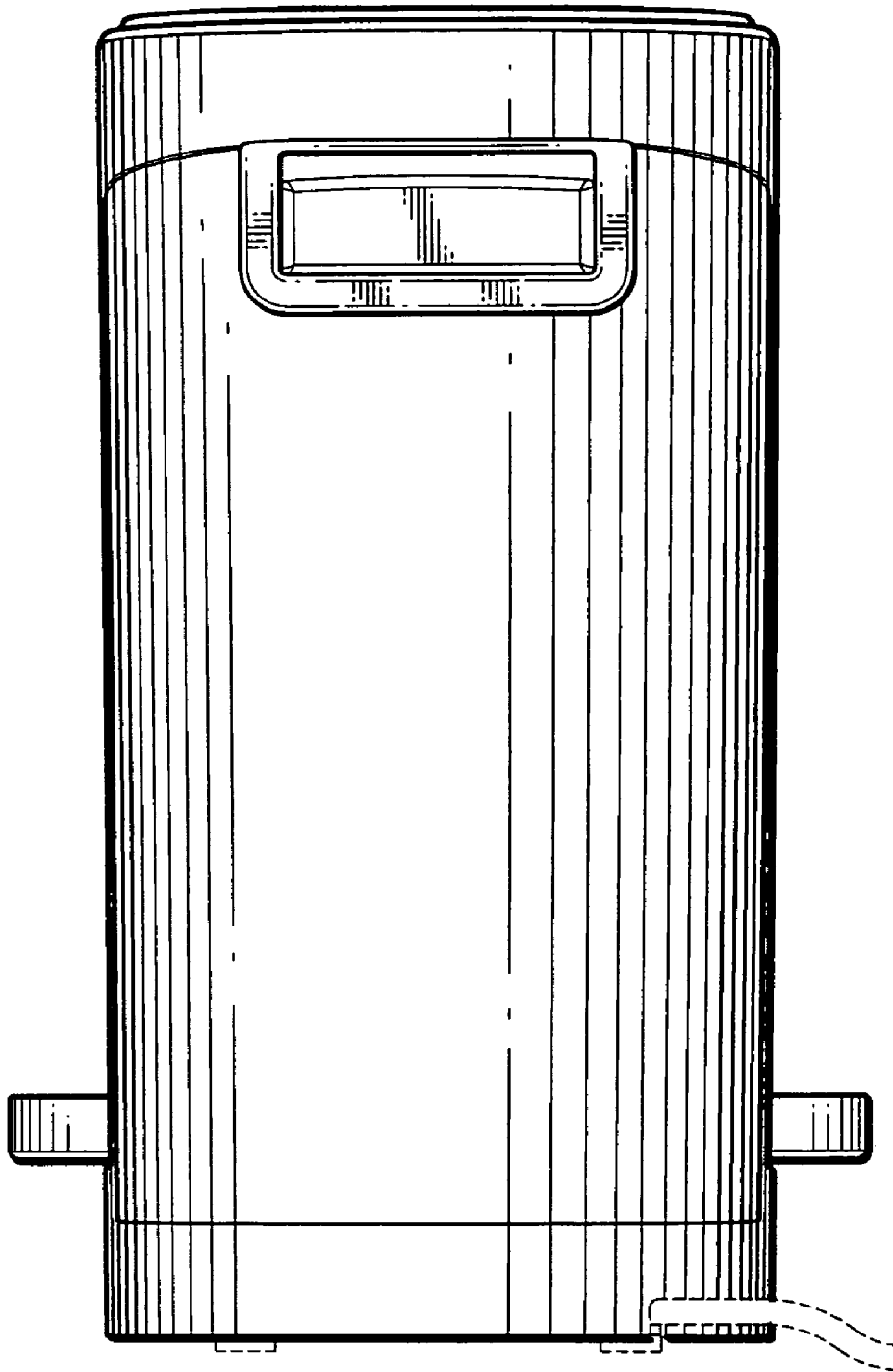


FIG. 5

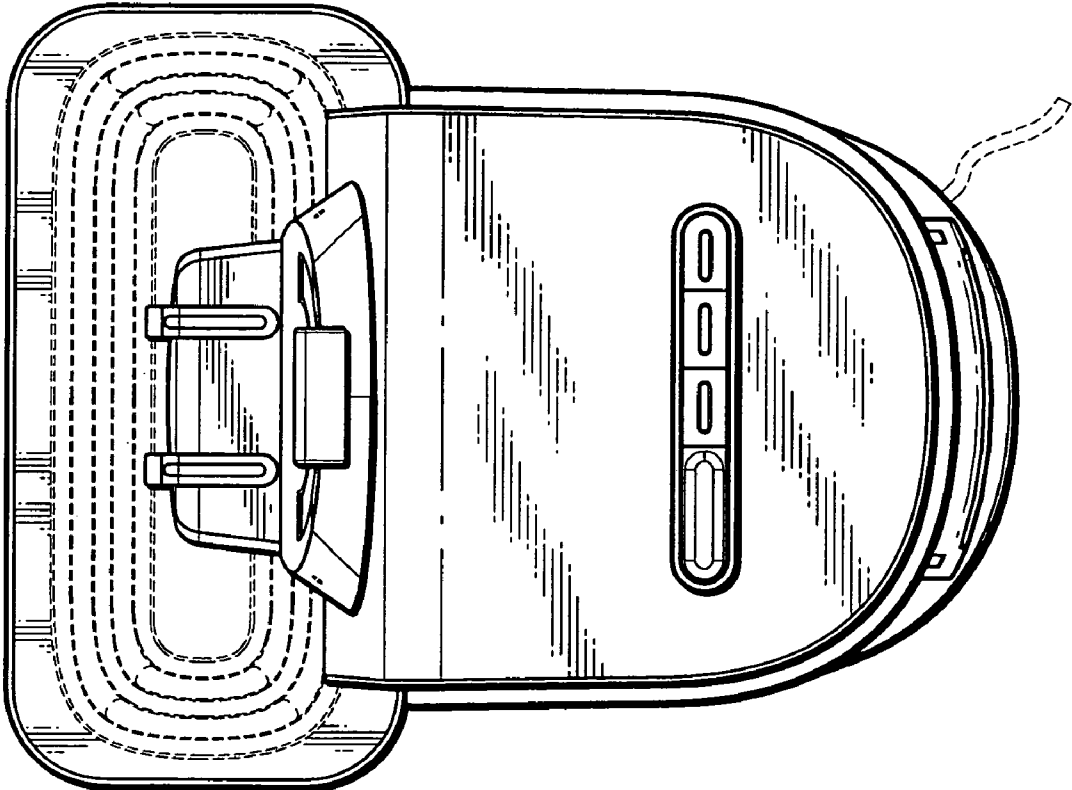


FIG. 6

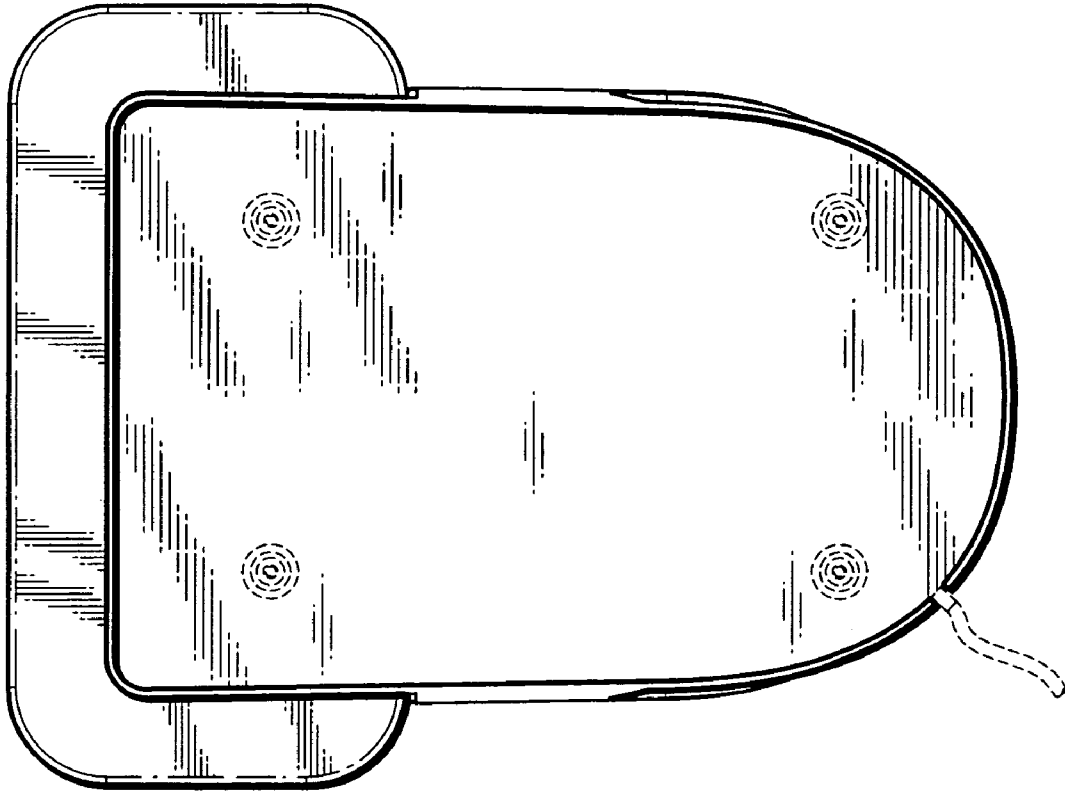


FIG. 7