



US00D426999S

United States Patent [19]
Smith

[11] **Patent Number: Des. 426,999**
[45] **Date of Patent: ** Jun. 27, 2000**

- [54] **TROPHY AND MEDALLION DISPLAY SHELF**
- [76] Inventor: **Michael D. Smith**, P.O. Box 3073, La Mesa, Calif. 91944
- [**] Term: **14 Years**
- [21] Appl. No.: **29/104,394**
- [22] Filed: **May 4, 1999**

- D. 355,554 2/1995 Phelps D6/567
- D. 372,847 8/1996 Sparks D6/574 X
- D. 391,795 3/1998 Pellerin D6/574
- D. 405,634 2/1999 Smith D6/574

Primary Examiner—Brian N. Vinson

[57] **CLAIM**

I claim the ornamental design for a trophy and medallion display shelf, as shown.

Related U.S. Application Data

- [63] Continuation of application No. 08/922,860, Sep. 3, 1997.
- [51] **LOC (7) Cl.** **08-08**
- [52] **U.S. Cl.** **D6/574**
- [58] **Field of Search** D6/552, 553, 567, D6/574; 211/13.1, 71, 85.2, 86-88, 126.1, 134

DESCRIPTION

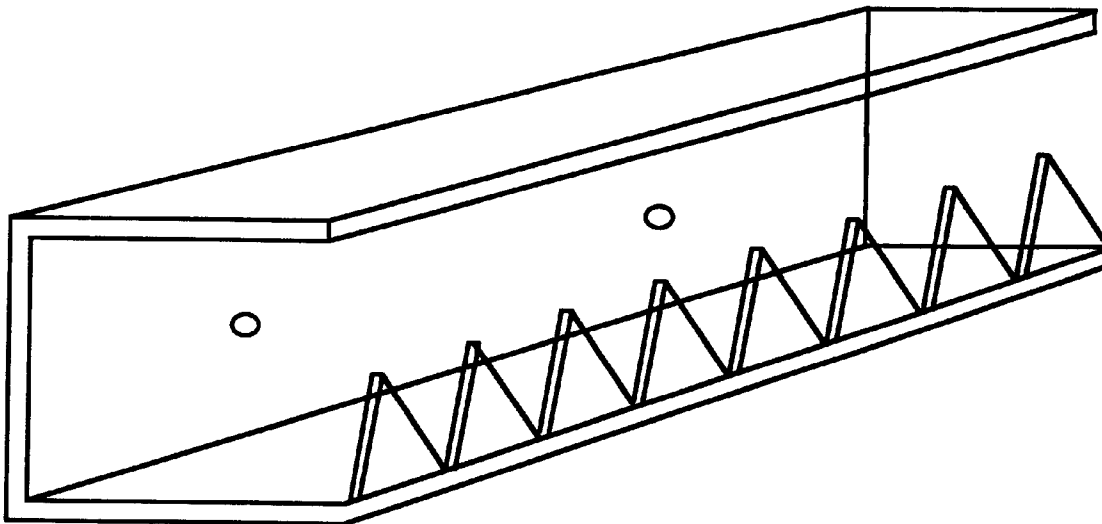
FIG. 1 is a perspective view of the trophy and medallion display shelf;
 FIG. 2 is a front view thereof;
 FIG. 3 is a rear view thereof;
 FIG. 4 is a top view thereof;
 FIG. 5 is a bottom view thereof;
 FIG. 6 is a right side view thereof; and,
 FIG. 7 is a left side view thereof.

[56] **References Cited**

U.S. PATENT DOCUMENTS

- D. 340,827 11/1993 Hubbard D6/567

1 Claim, 4 Drawing Sheets



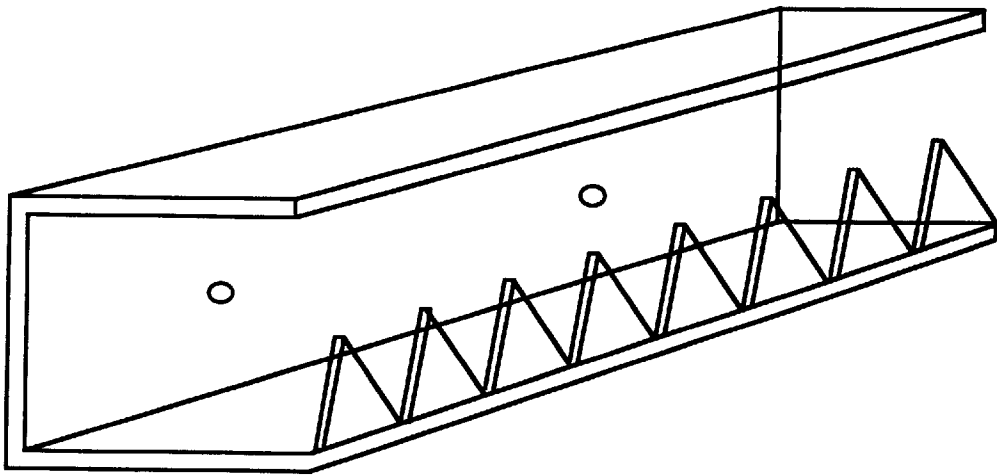


Fig. 1

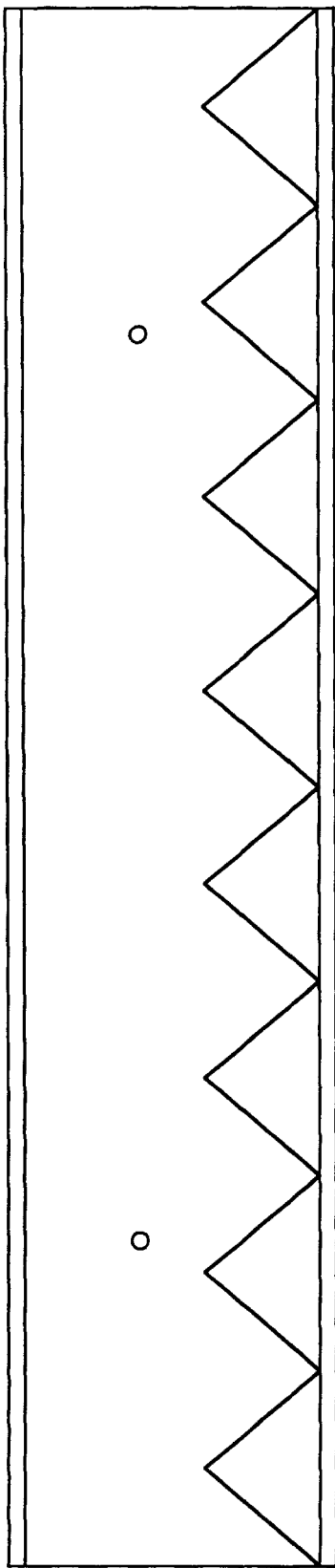


Fig. 2

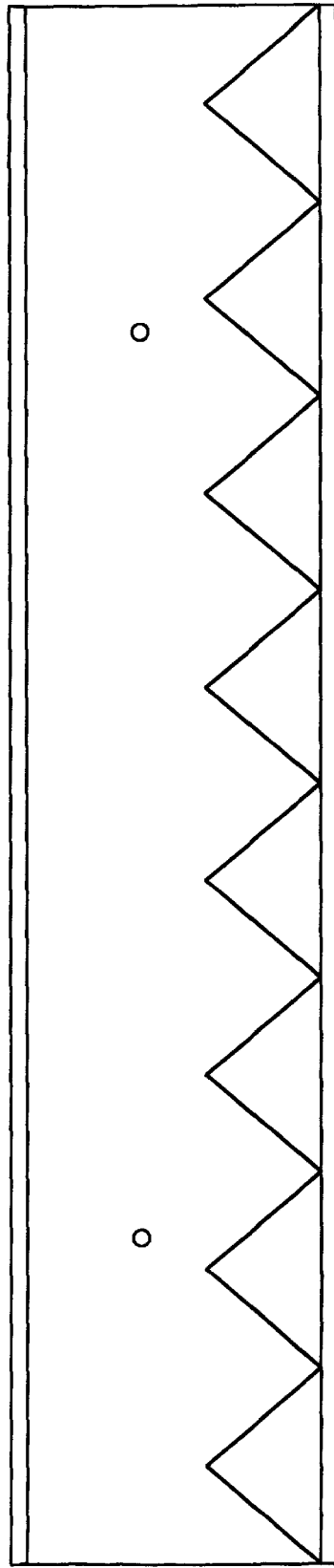


Fig. 3

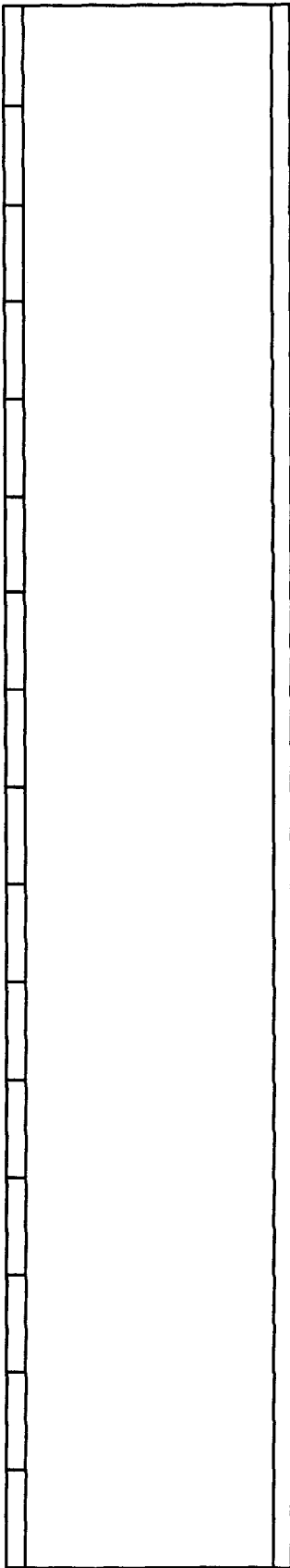


Fig. 4

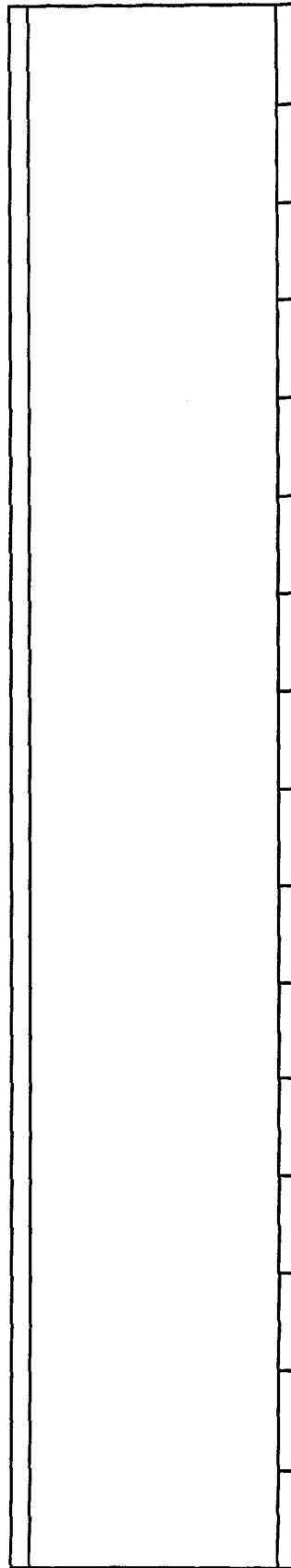


Fig. 5

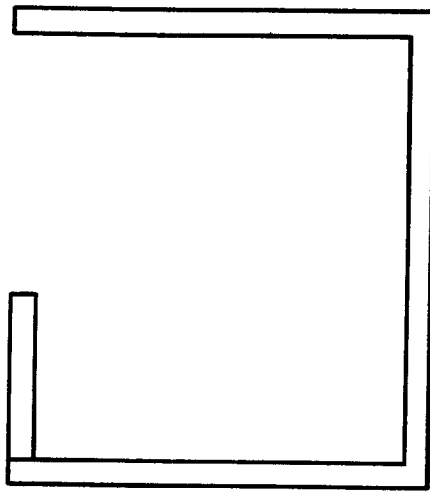


Fig. 6

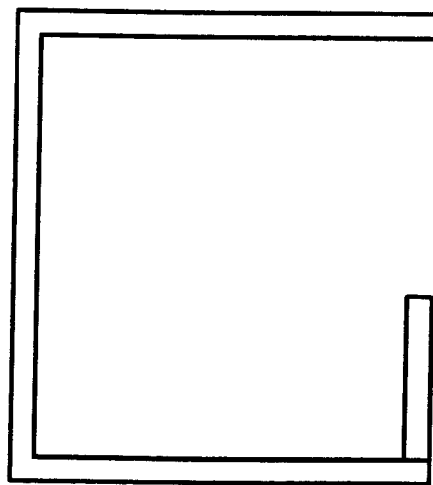


Fig. 7