



(12) **United States Design Patent**
Lin

(10) **Patent No.:** **US D960,560 S**
(45) **Date of Patent:** **** Aug. 16, 2022**

(54) **INSULATED BACKPACK**

(71) Applicant: **XIAMEN WORTHFIND**
E-COMMERCE CO., LTD., Xiamen
(CN)

(72) Inventor: **Lijuan Lin**, Xiamen (CN)

(73) Assignee: **XIAMEN WORTHFIND**
E-COMMERCE CO., LTD., Xiamen
(CN)

(**) Term: **15 Years**

(21) Appl. No.: **29/785,483**

(22) Filed: **May 26, 2021**

(30) **Foreign Application Priority Data**

Apr. 21, 2021 (CN) 202130228047.4

(51) **LOC (13) Cl.** **03-01**

(52) **U.S. Cl.**
USPC **D3/217; D7/607**

(58) **Field of Classification Search**
USPC D3/216, 217; D7/605, 607
CPC .. A45F 3/04; A45C 11/20; F25D 3/08; Y02A
40/963
See application file for complete search history.

(56) **References Cited**

U.S. PATENT DOCUMENTS

5,509,279	A *	4/1996	Brown	A45C 11/20 62/457.7
D434,609	S *	12/2000	Yu	D7/607
8,893,940	B2 *	11/2014	Green	A45F 3/08 224/604
D781,049	S	3/2017	Kemp et al.		
D819,959	S *	6/2018	Choi	D3/217
D822,378	S *	7/2018	Franek	D3/216
D828,728	S *	9/2018	Jacobsen	D7/607

D829,435	S	10/2018	Viger et al.		
D843,107	S *	3/2019	Swaggart	D3/217
D861,329	S *	10/2019	Wei	D3/217
D867,823	S *	11/2019	Jacobsen	D3/216
D868,545	S *	12/2019	Lin	D7/607
D887,705	S *	6/2020	Feng	D3/217
D918,666	S *	5/2021	Munie	D7/607
D922,149	S *	6/2021	Munie	D3/216
D922,828	S *	6/2021	Munie	D3/216
D941,014	S *	1/2022	Ren	D3/217
D941,635	S *	1/2022	Mukri	D3/217
D945,148	S *	3/2022	Liao	D3/217

(Continued)

OTHER PUBLICATIONS

Tourit 42 Cans Backpack Cooler Leakproof Large Capacity Insulated Backpack, Amazon first available date Dec. 26, 2020, viewed on Mar. 23, 2022. Available at URL: https://www.amazon.com/TOURIT-Backpack-Leakproof-Capacity-Insula.*

Primary Examiner — Jennifer L Watkins

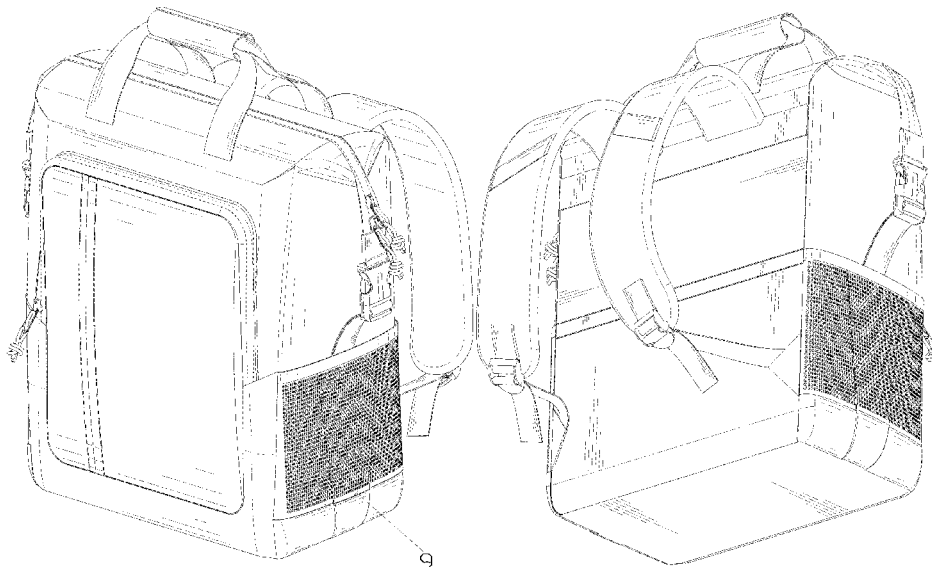
(57) **CLAIM**

The ornamental design for an insulated backpack, as shown and described.

DESCRIPTION

FIG. 1 is a perspective view of an insulated backpack showing my new design;
FIG. 2 is another perspective view thereof;
FIG. 3 is a front elevational view thereof;
FIG. 4 is a rear elevational view thereof;
FIG. 5 is a left side elevational view thereof;
FIG. 6 is a right side elevational view thereof;
FIG. 7 is a top plan view thereof;
FIG. 8 is a bottom plan view thereof; and,
FIG. 9 is an enlarged view of portion 9 shown in FIG. 1.
The broken lines in the drawings depict portions of the insulated backpack that form no part of the claimed design.

1 Claim, 9 Drawing Sheets



(56)

References Cited

U.S. PATENT DOCUMENTS

2007/0237432 A1* 10/2007 Mogil A45C 7/0077
383/38

* cited by examiner



FIG. 1

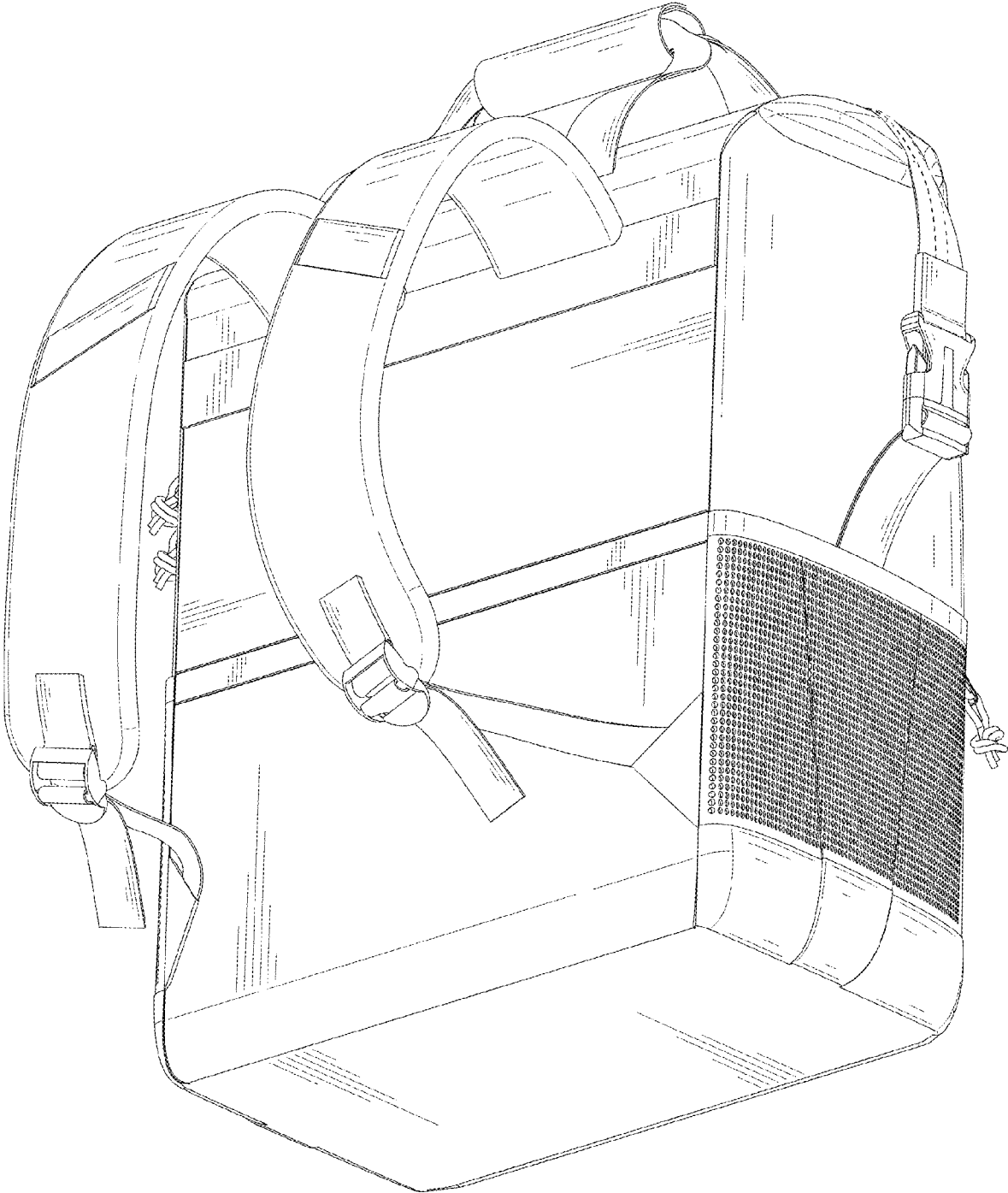


FIG. 2

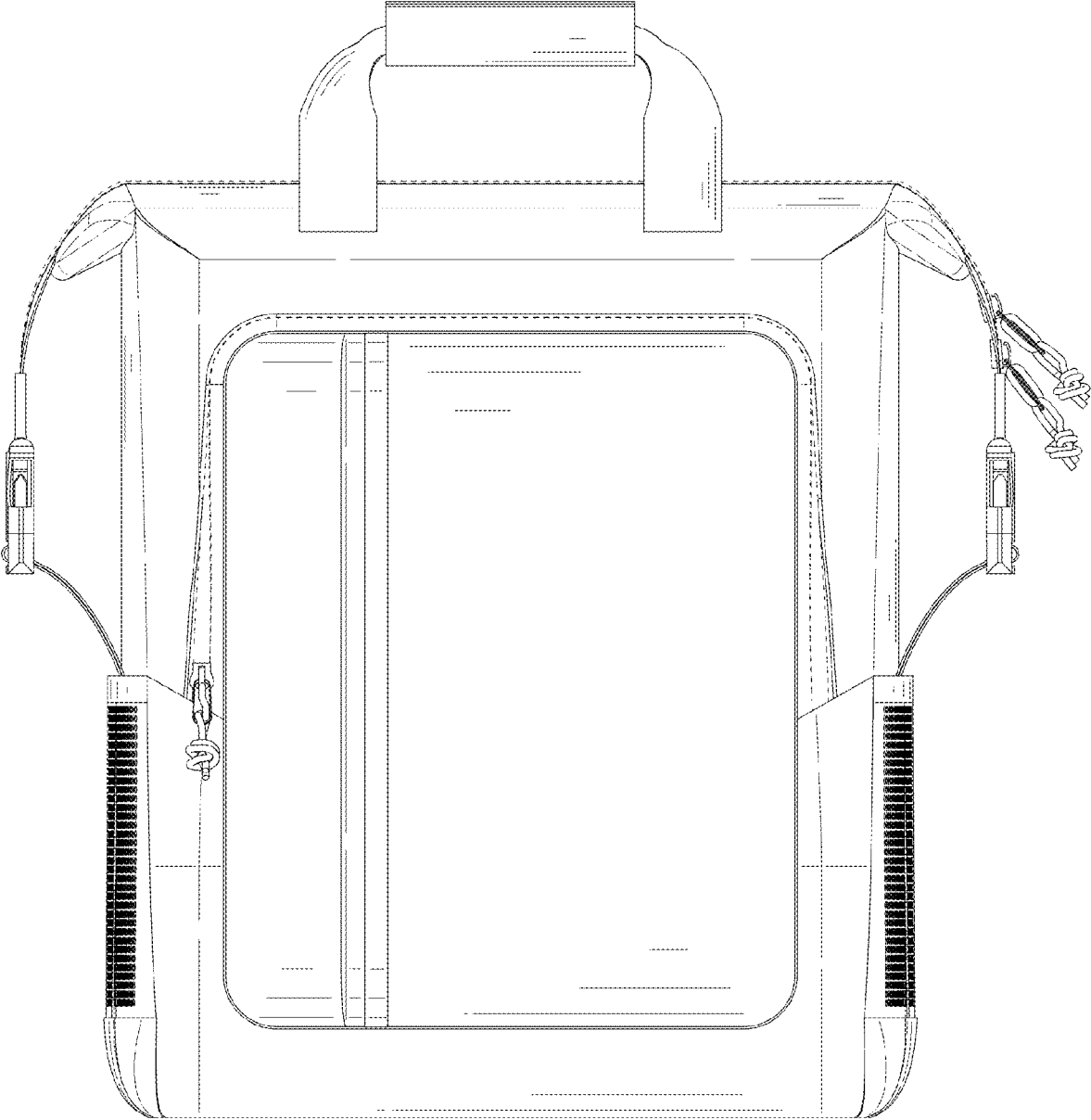


FIG. 3

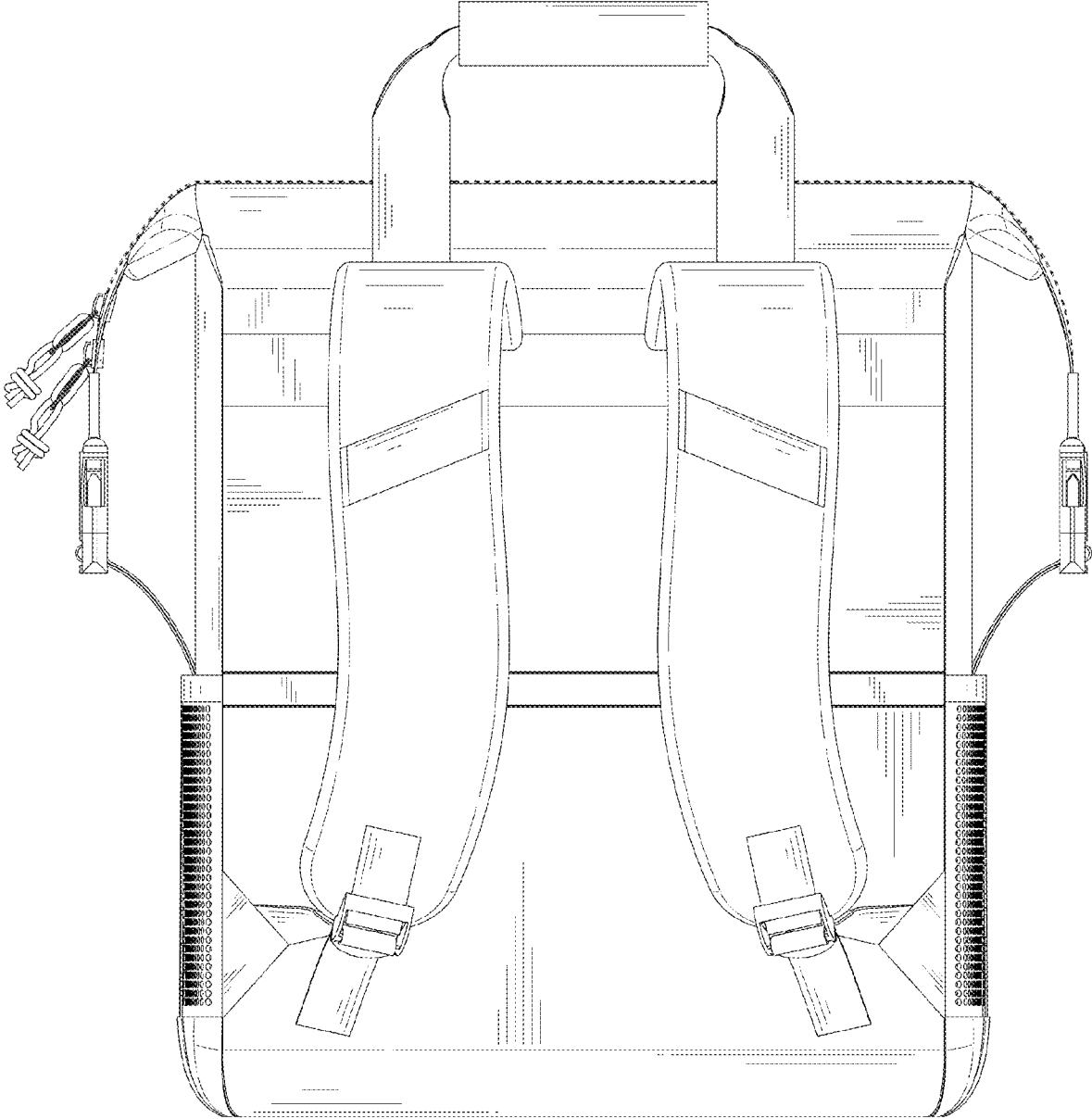


FIG. 4

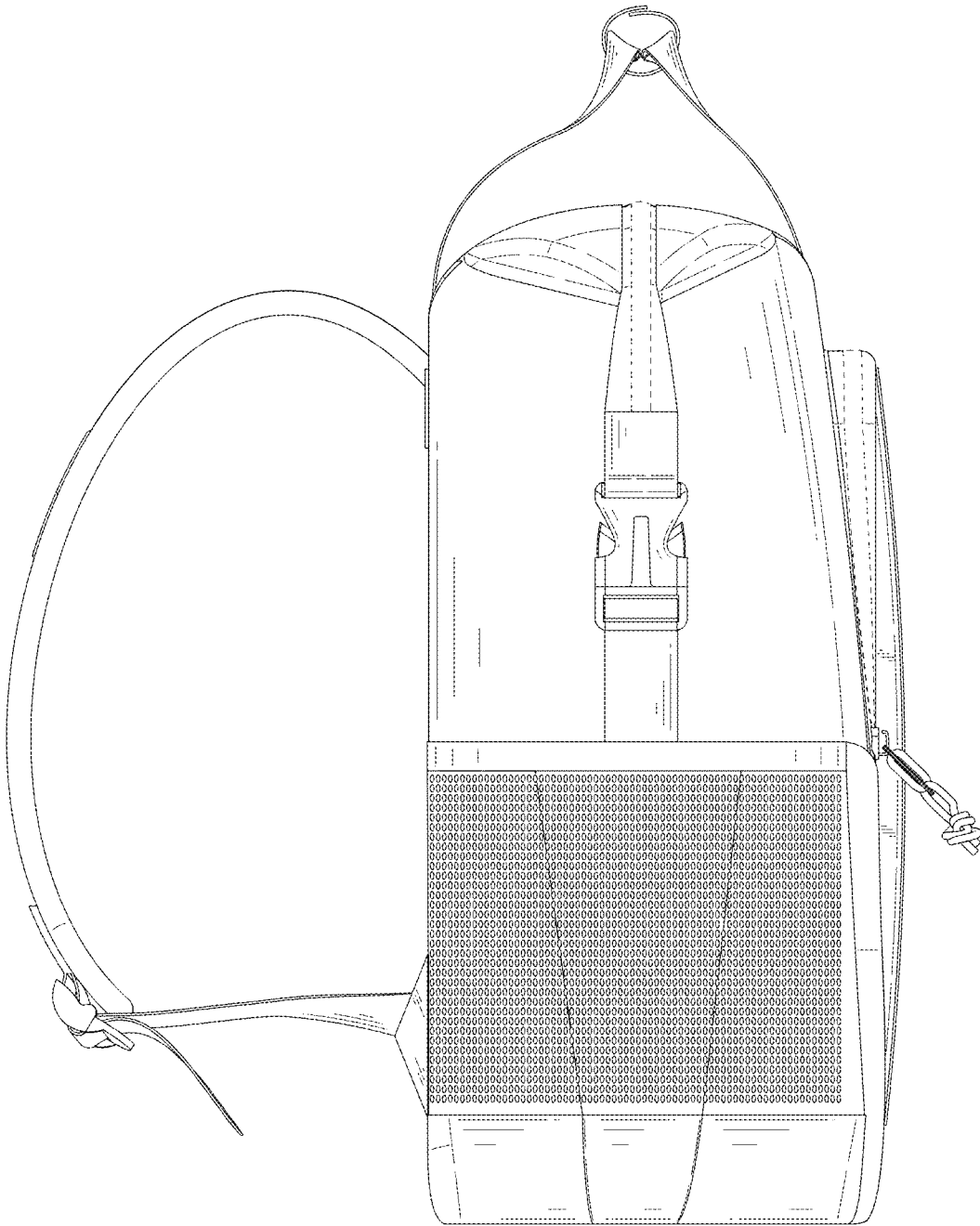


FIG. 5

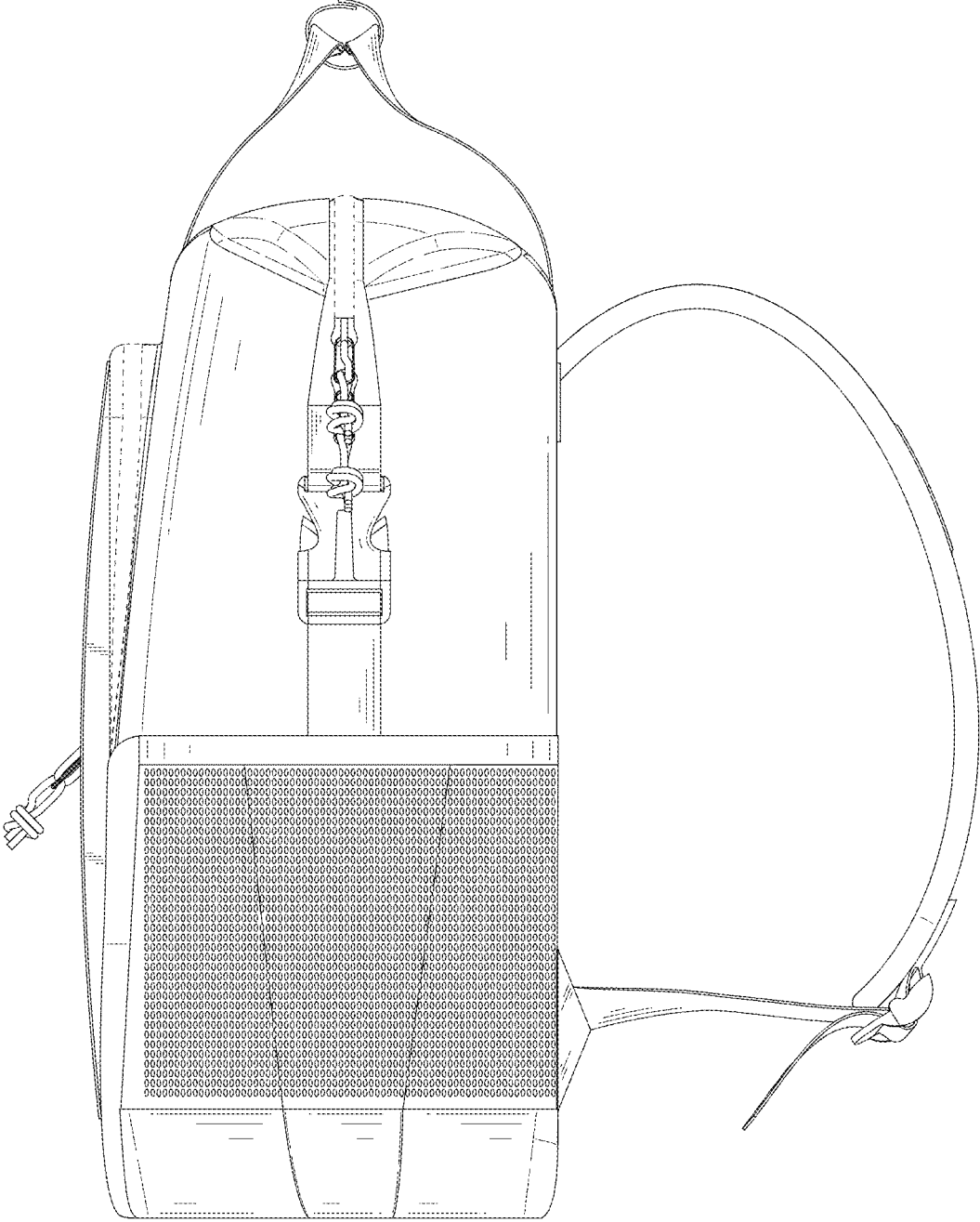


FIG. 6

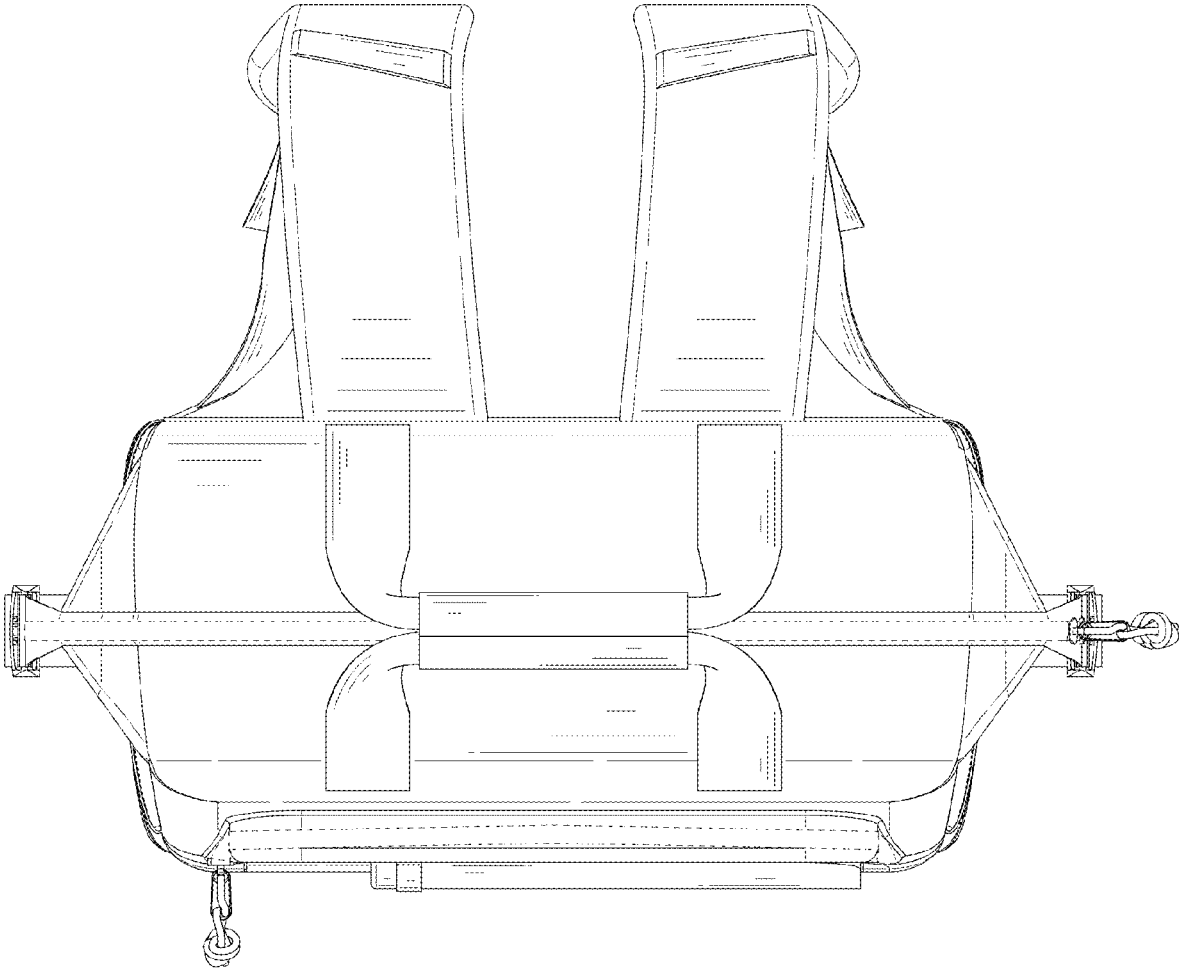


FIG. 7

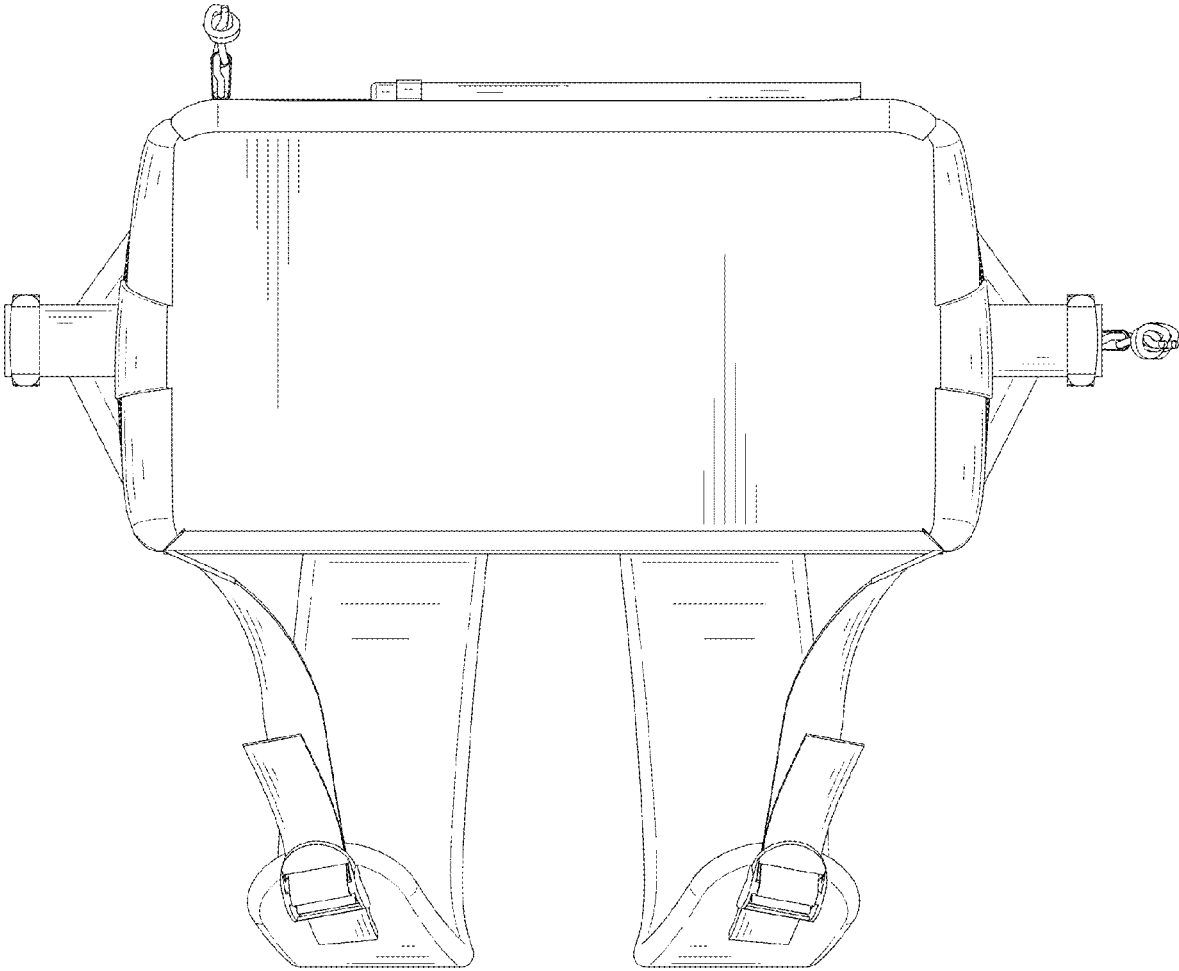


FIG. 8

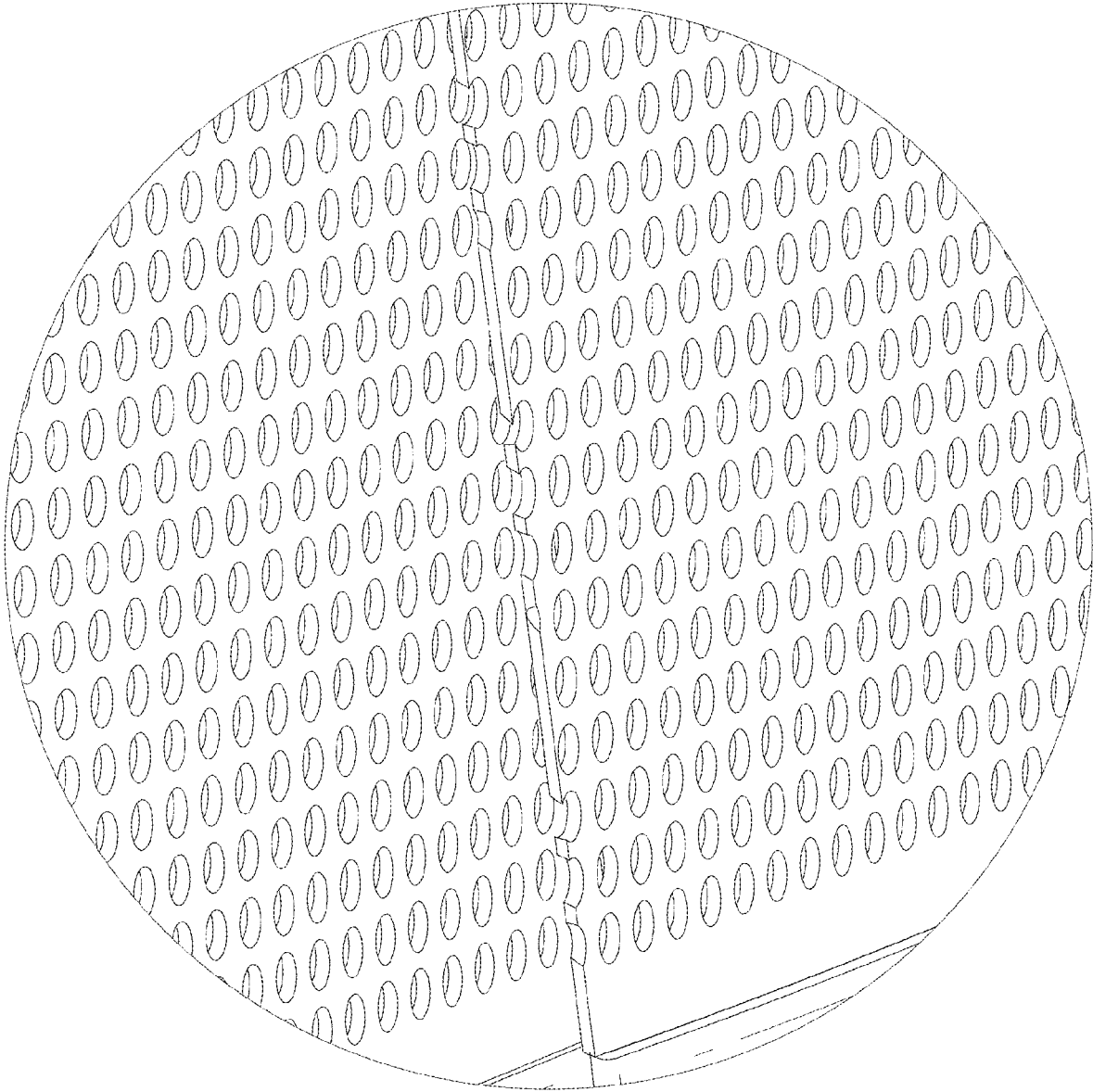


FIG. 9