



(12) **United States Design Patent**
Bae et al.

(10) **Patent No.:** **US D936,320 S**
(45) **Date of Patent:** **** Nov. 16, 2021**

(54) **IRONING BOARD**

D543,671 S * 5/2007 Chu D32/66
D543,672 S * 5/2007 Chu D32/66
D638,592 S * 5/2011 Suh D32/8

(71) Applicant: **LG ELECTRONICS INC.**, Seoul
(KR)

(Continued)

(72) Inventors: **Jaeil Bae**, Seoul (KR); **Kyutae Park**,
Seoul (KR); **Kyungah Lee**, Seoul (KR);
Hoil Jeon, Seoul (KR); **Youngsoo Ha**,
Seoul (KR)

FOREIGN PATENT DOCUMENTS

GB 3008808 * 8/2003
JP D1178475 * 7/2003
WO D206451-001 * 8/2001

(73) Assignee: **LG ELECTRONICS INC.**, Seoul
(KR)

OTHER PUBLICATIONS

(**) Term: **15 Years**

Giantex Top Loading Water Dispenser with storage cabinet, avail-
able in Amazon.com, date 1st available Sep. 8, 2016 [online], [site
visited Sep. 8, 2021], Available from the internet URL: https://www.amazon.com/Giantex-Loading-Dispenser-Temperature-Electric/dp/B0732HQL7X/ref=cm_cr_ar_p_d_product_top?ie=UTF8 (Year: 2016).*

(21) Appl. No.: **29/724,594**

(Continued)

(22) Filed: **Feb. 18, 2020**

(30) **Foreign Application Priority Data**

Aug. 19, 2019 (KR) 30-2019-0039552

(51) **LOC (13) Cl.** **07-05**

(52) **U.S. Cl.** **D32/66**

(58) **Field of Classification Search**

USPC D32/6, 9, 35, 60, 66, 67; D21/526;
D6/691.1, 691.3, 691.4, 559, 663, 668
CPC A47B 39/06; D06F 81/00; D06F 81/003;
D06F 81/006; D06F 81/02; D06F 81/04;
D06F 81/06; D06F 81/08; D06F 81/12;
D06F 83/00; Y10S 38/02; Y10S 38/03;
Y10T 292/305

See application file for complete search history.

Primary Examiner — Dana K Weiland
Assistant Examiner — Jennylou M Binas
(74) *Attorney, Agent, or Firm* — Birch, Stewart, Kolasch
& Birch, LLP

(56) **References Cited**

U.S. PATENT DOCUMENTS

D47,601 S * 7/1915 Labadie D3/274
2,523,425 A * 9/1950 Gargaglione A47B 77/10
108/13
D413,699 S * 9/1999 Evans D32/37
D497,069 S * 10/2004 Aisley D6/559

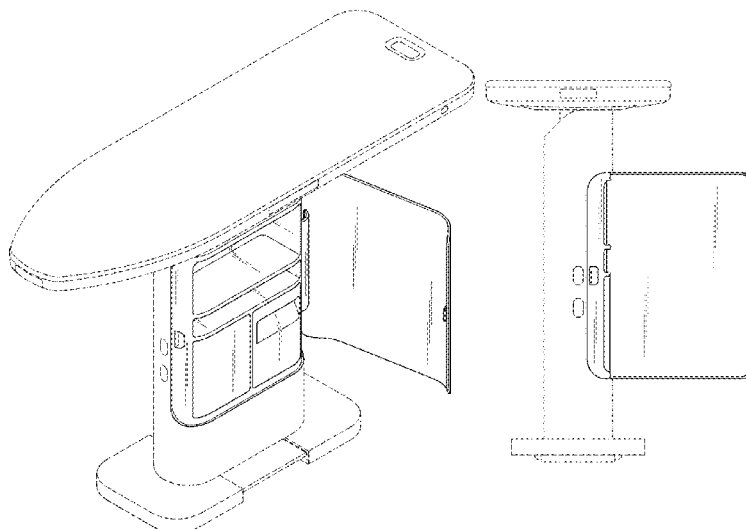
(57) **CLAIM**

We claim the ornamental design for an ironing board, as
shown and described.

DESCRIPTION

FIG. 1 is a perspective view of an ironing board showing the
new design;
FIG. 2 is a front elevation view thereof;
FIG. 3 is a rear elevation view thereof;
FIG. 4 is a left-side elevation view thereof;
FIG. 5 is a right-side elevation view thereof;
FIG. 6 is a top plan view thereof; and,
FIG. 7 is a bottom plan view thereof.
The broken lines shown in the figures depict portions of the
ironing board that form no part of the claimed design.

1 Claim, 7 Drawing Sheets



(56)

References Cited

U.S. PATENT DOCUMENTS

D732,771 S * 6/2015 Chung D32/25
D836,271 S * 12/2018 Chung D32/6

OTHER PUBLICATIONS

ImPress Ironing Station, announced 2002 [online], [site visited Sep. 13, 2021], Available from the internet, URL: <https://applianceassistant.com/ServiceManuals/8178203_I-73_whirlpool_impress_ironing_station.pdf> (Year: 2002).*

Boahaus 5202 Ironing Board Cabinet Assembly, announced in YouTube on Oct. 4, 2018 [online], [site visited Sep. 13, 2021], Available from the internet URL: <https://www.youtube.com/watch?v=x9ZPL1KPJMM> (Year: 2018).*

Miele B 3312 FashionMaster Ironing Station, available in Amazon.de, date first available Sep. 30, 2016 [online], [site visited Sep. 13, 2021], Available from the internet URL: https://www.amazon.de/Miele-3312-FashionMaster-Dampfb%C3%BCgelsystem-Wabensohle/dp/B01LIT41EM?ref_ast_sto_dp (Year: 2016).*

* cited by examiner

FIG. 1

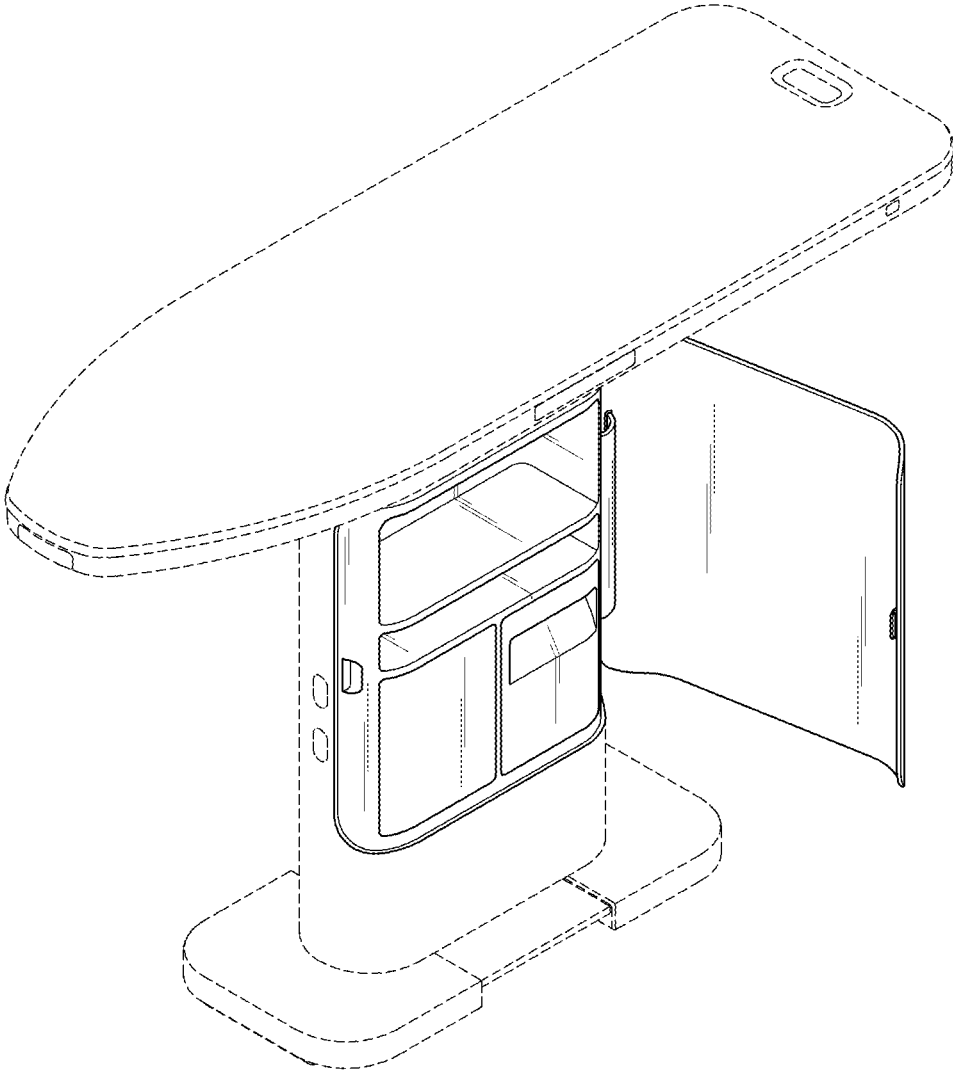


FIG. 2

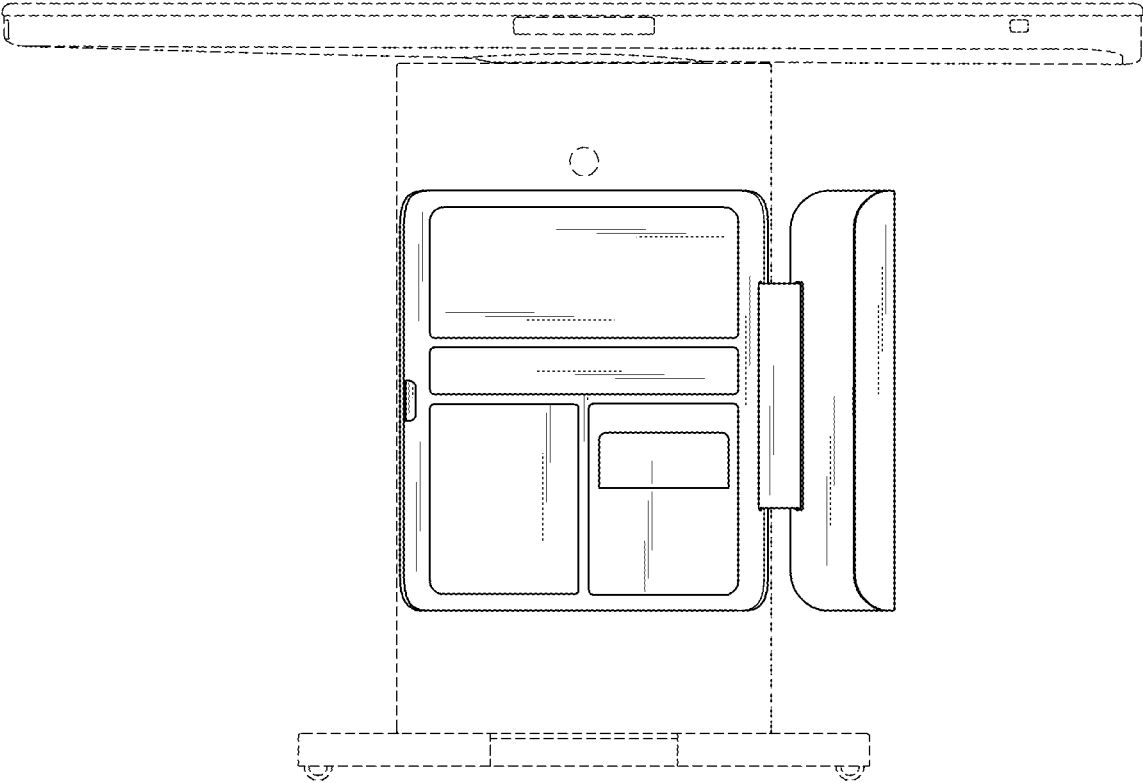


FIG. 3

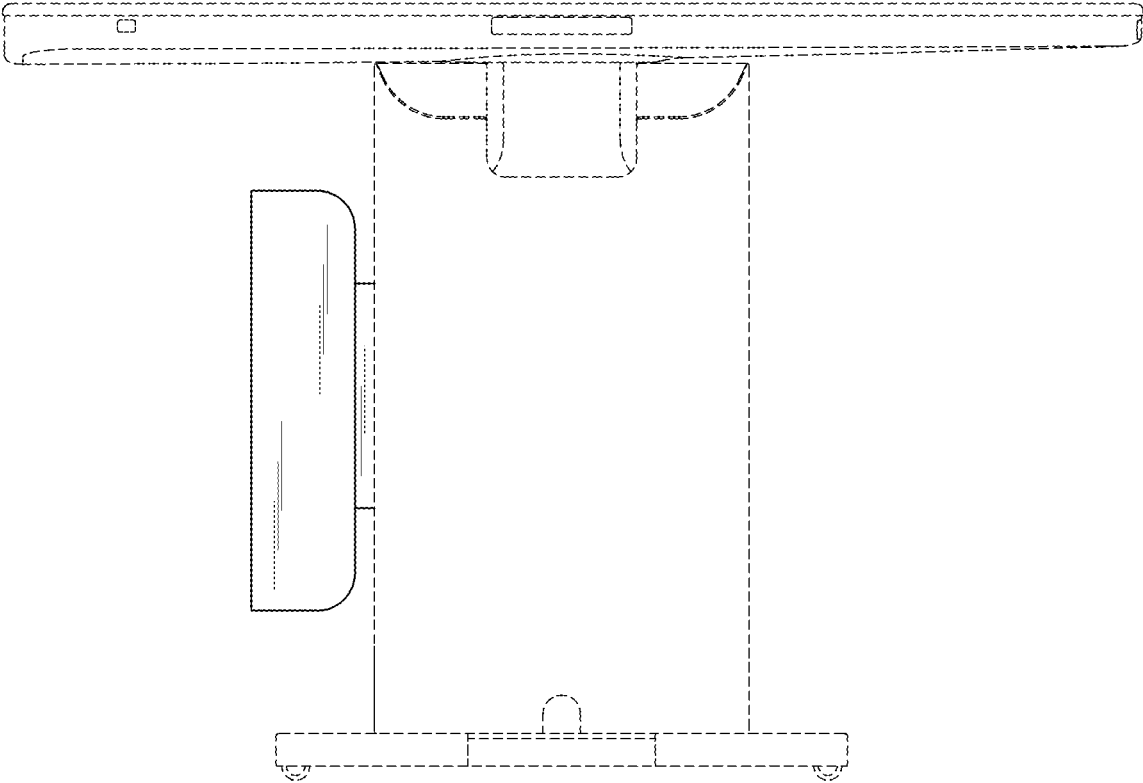


FIG. 4

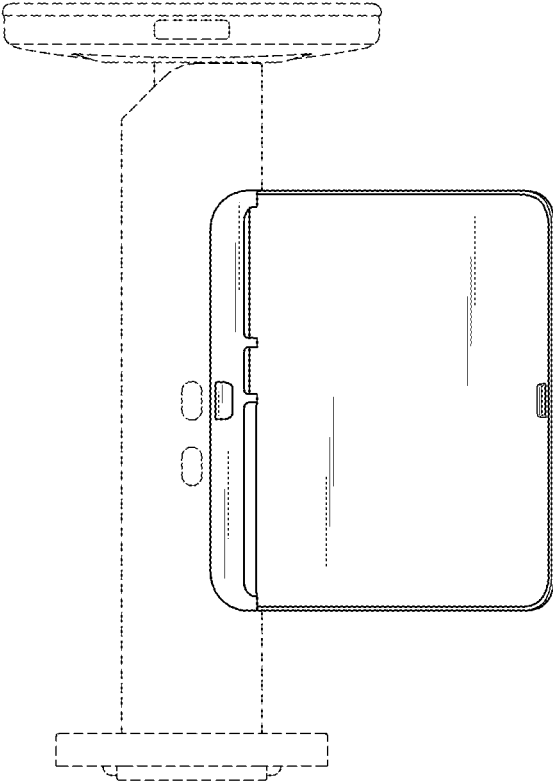


FIG. 5

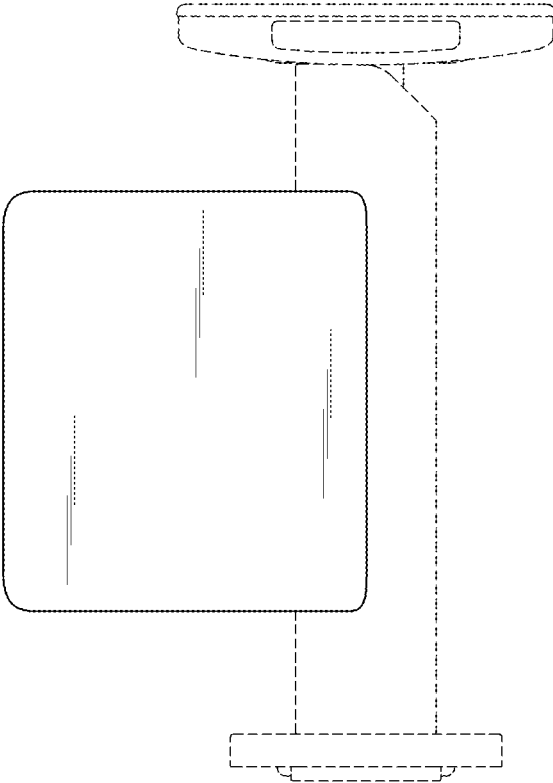


FIG. 6

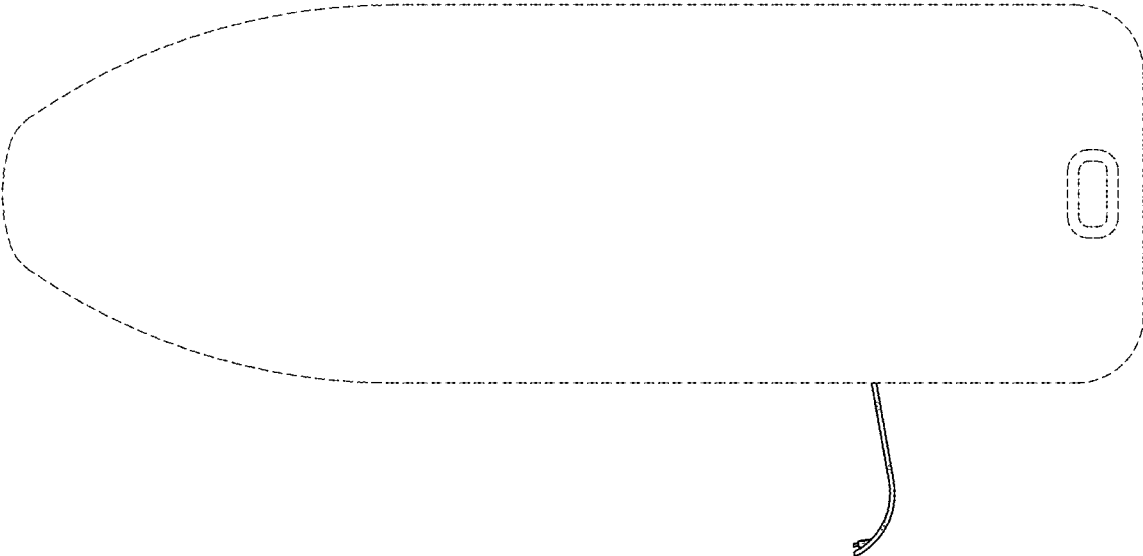


FIG. 7

