



US00D880905S

(12) **United States Design Patent**
Huang

(10) **Patent No.:** **US D880,905 S**

(45) **Date of Patent:** **** Apr. 14, 2020**

(54) **DESK**
(71) Applicant: **Guangzhou Yingshun Information Technology Co., Ltd, Guangzhou (CN)**
(72) Inventor: **Senxiang Huang, Guangzhou (CN)**

7,111,564 B2 * 9/2006 Chang A47B 13/06
108/155
D549,009 S * 8/2007 Lin D6/648.4
D617,116 S * 6/2010 Sexton D6/648.4
D618,018 S * 6/2010 Sexton D6/648
D626,766 S * 11/2010 Sexton D6/648
D788,497 S * 6/2017 Yamamoto A47B 13/06
D6/648

(**) Term: **15 Years**

(21) Appl. No.: **29/661,083**

(22) Filed: **Aug. 24, 2018**

(51) **LOC (12) Cl.** **06-03**

(52) **U.S. Cl.**
USPC **D6/648**

(58) **Field of Classification Search**
USPC D6/641-644, 647, 648.1, 648.2, 648.4,
D6/655, 655.1, 655.11
CPC .. A47B 7/00; A47B 9/00; A47B 13/00; A47B
13/02; A47B 13/04; A47B 13/06; A47B
13/08; A47B 17/00; A47B 19/00; A47B
21/00; A47B 2200/0001; A47B
2200/0011; A47B 2200/002; A47B
2200/0002; A47B 2200/0066

See application file for complete search history.

(56) **References Cited**

U.S. PATENT DOCUMENTS

D220,802 S * 5/1971 Hedges et al. D6/684
D279,846 S * 7/1985 Esslinger D6/641
D294,666 S * 3/1988 Favaretto D6/648.1
D371,029 S * 6/1996 Pagett D6/707.22
D373,262 S * 9/1996 Luong D6/648.4
D471,030 S * 3/2003 Chang D6/648.2
D506,887 S * 7/2005 McDiarmid D6/648.1

OTHER PUBLICATIONS

Luxxetta L-Shaped Office Computer Desk—B & H Photo-Video-Pro Audio https://www.bhphotovideo.com/c/product/1403935-REG/luxxetta_bf_cd10blk_1_desk_black.html retrieved from the internet on Jan. 13, 2020.*
Tribesigns Modern L-Shaped Desk—Amazon.com—first available on Jan. 27, 2017 <https://www.amazon.com/dp/B076Q5SDDP?tag=alltopstuffs-20> retrieved from the internet on Jan. 13, 2020.*

* cited by examiner

Primary Examiner — Mary Ann Calabrese

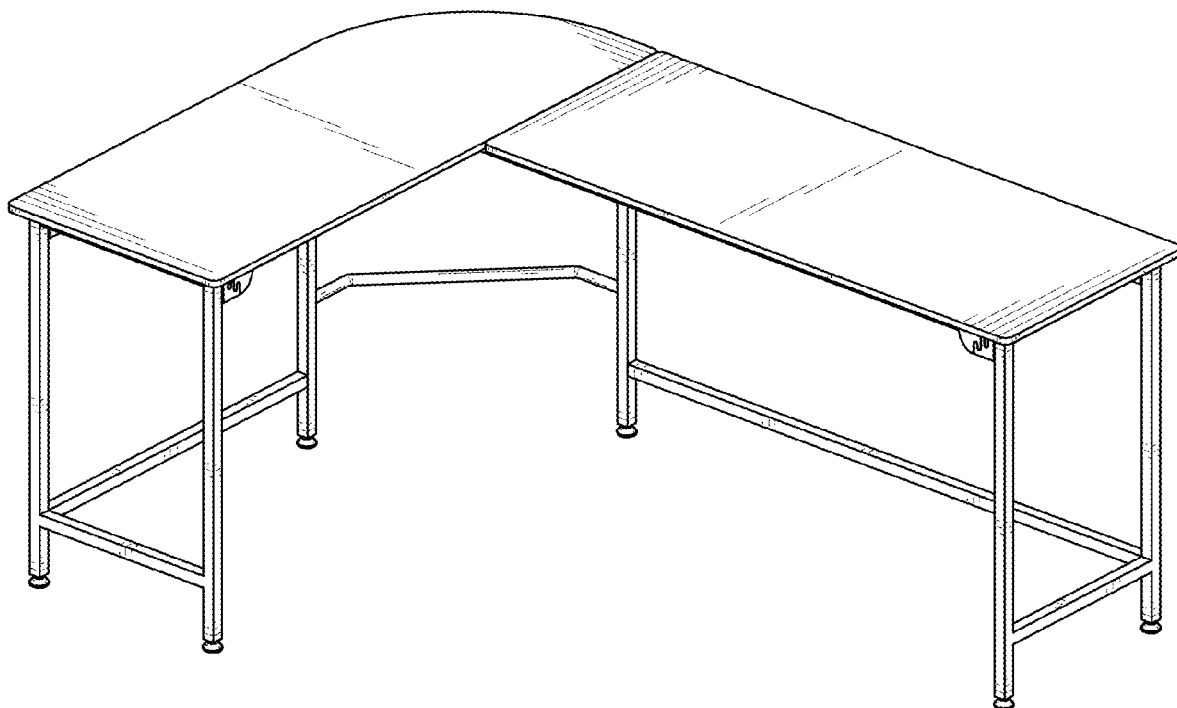
(57) **CLAIM**

The ornamental design for a desk, as shown and described.

DESCRIPTION

FIG. 1 is a first perspective view of a desk showing the claimed new design;
FIG. 2 is a second perspective view thereof;
FIG. 3 is a front elevational view thereof;
FIG. 4 is a rear elevational view thereof;
FIG. 5 is a left side elevational view thereof;
FIG. 6 is a right side elevational view thereof;
FIG. 7 is a top plane view thereof; and,
FIG. 8 is a bottom plane view thereof.

1 Claim, 8 Drawing Sheets



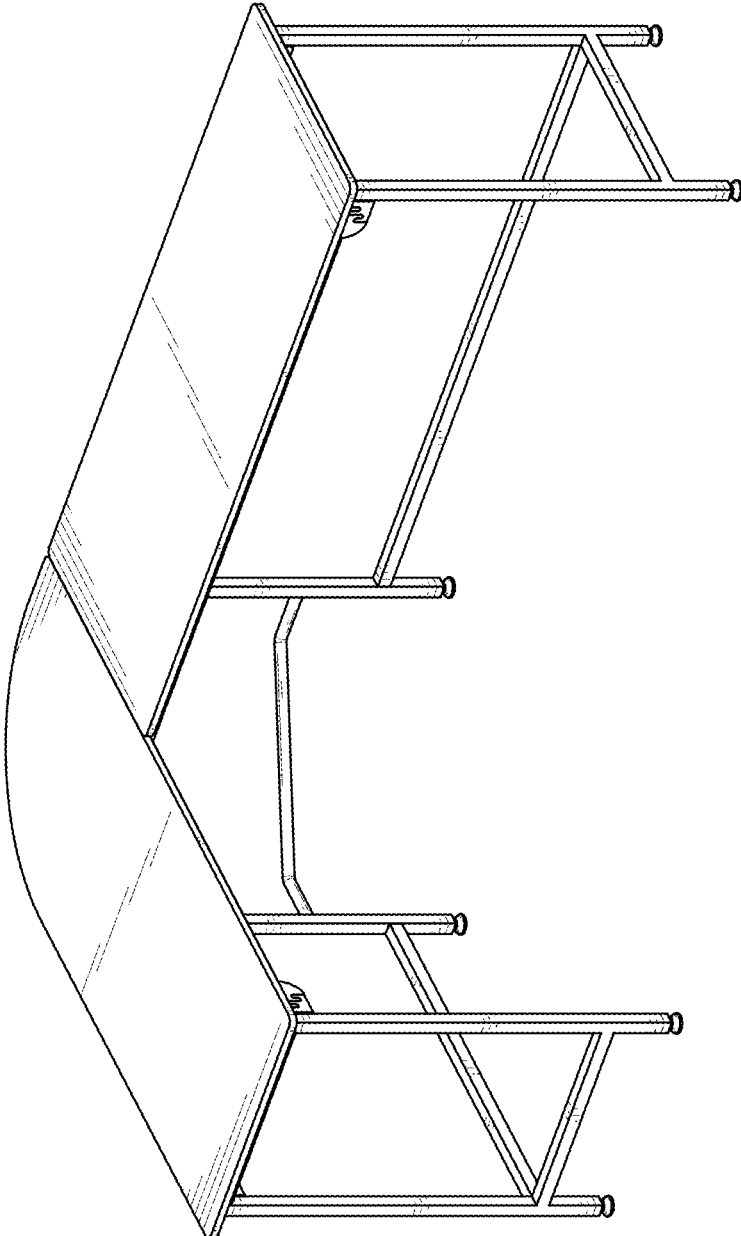


FIG. 1

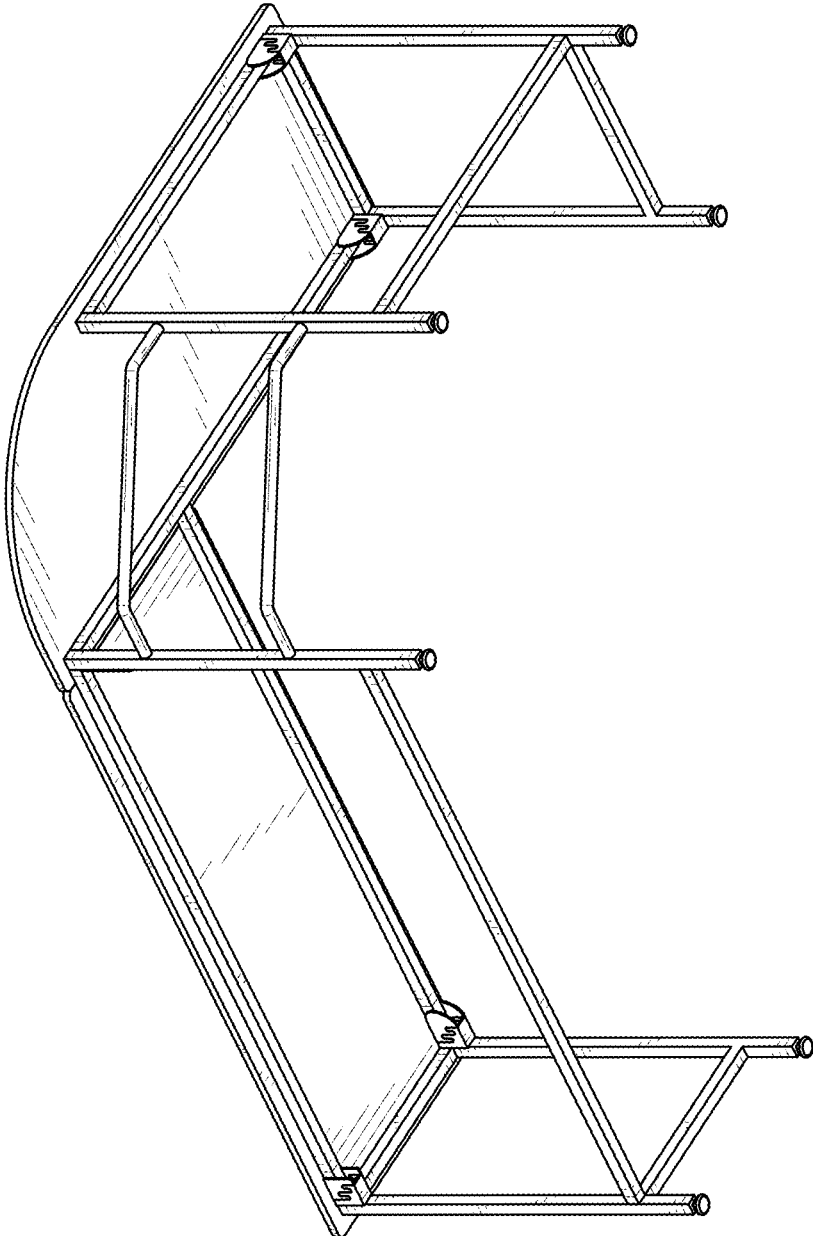


FIG. 2

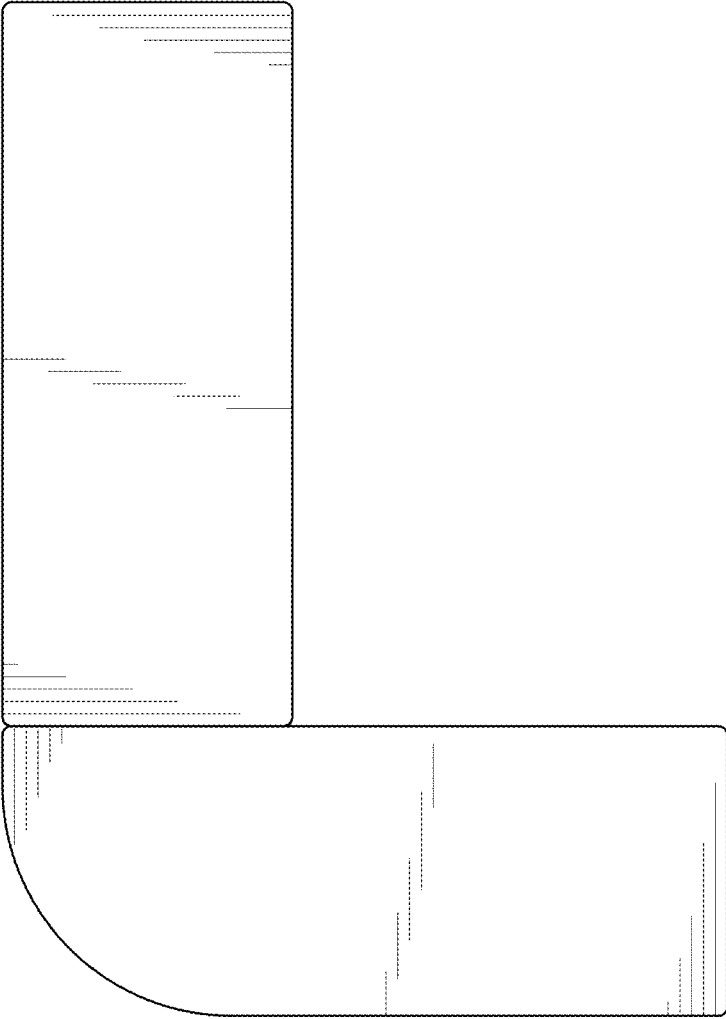


FIG. 3

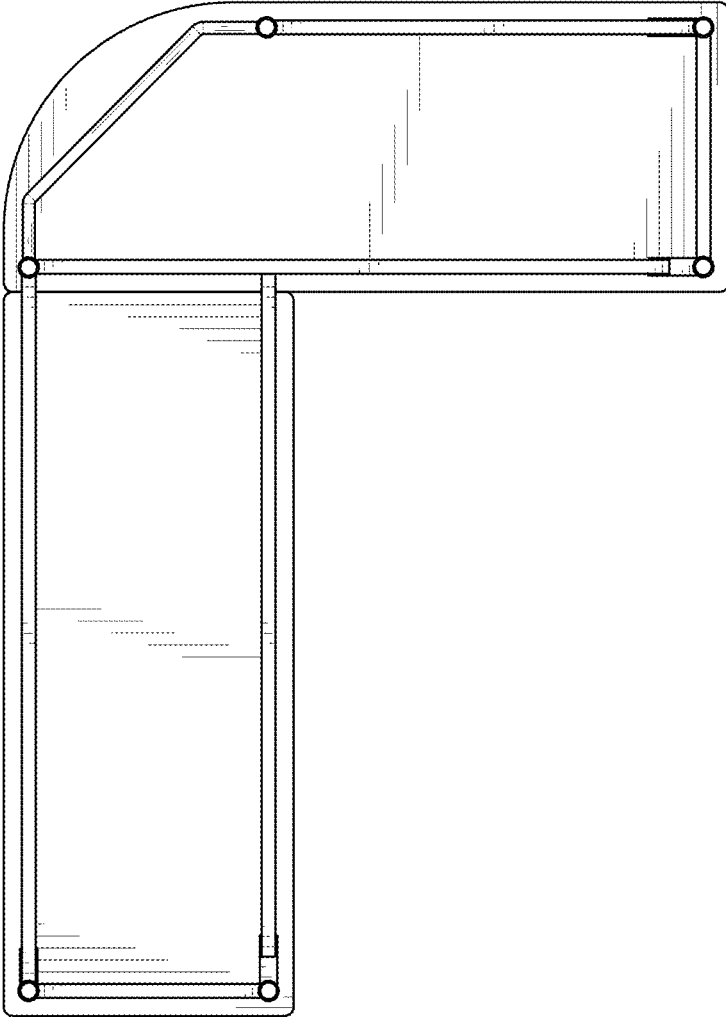


FIG. 4

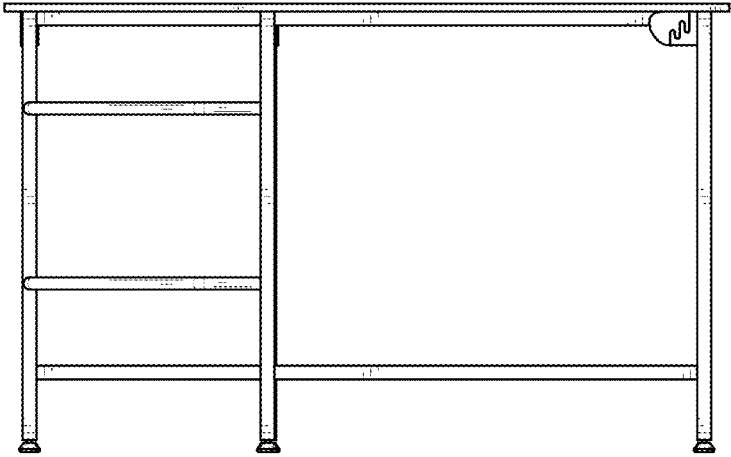


FIG. 5

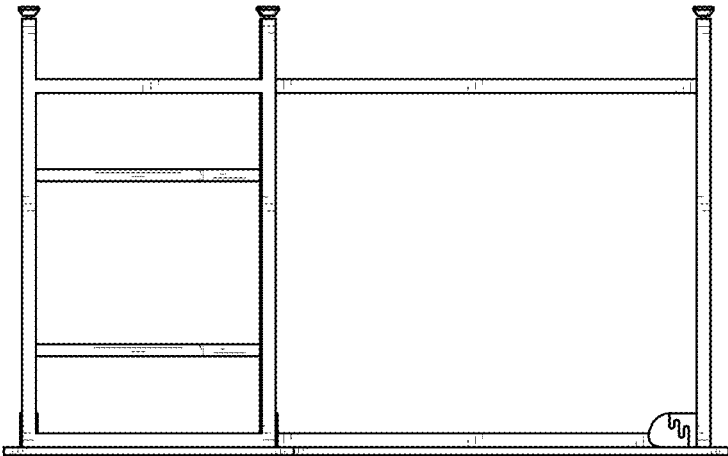


FIG. 6

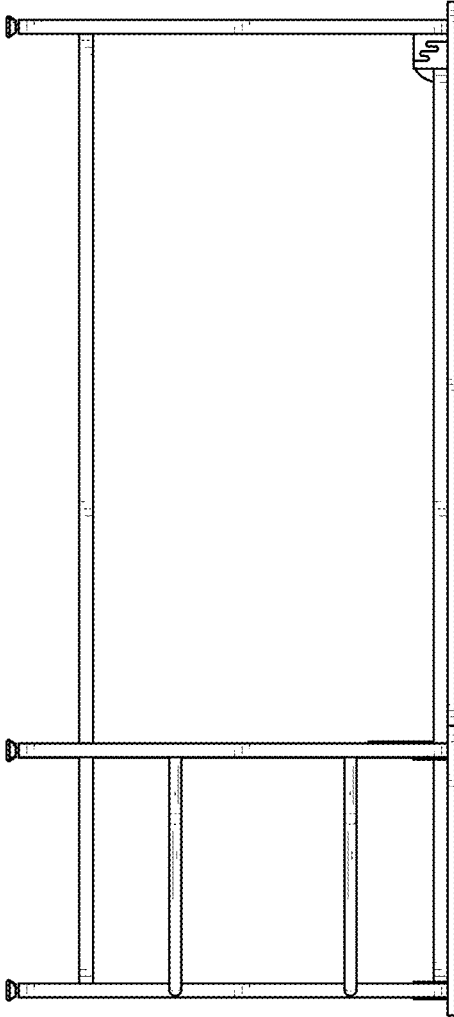


FIG. 7

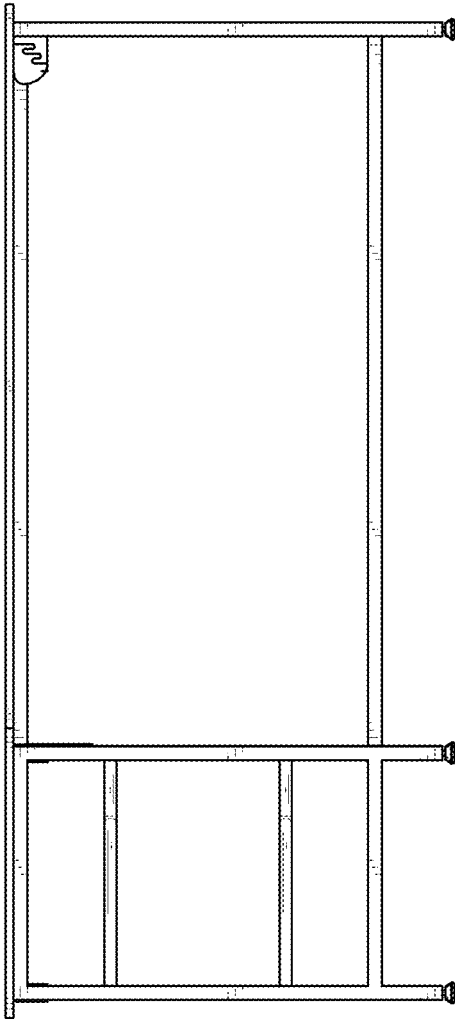


FIG. 8