



US00D355788S

United States Patent [19]

[11] **Patent Number: Des. 355,788**

Irvin

[45] **Date of Patent: ** Feb. 28, 1995**

[54] **TEXTILE DISPLAY HANGER**

4,817,699 4/1989 Fein 40/617 X

[76] Inventor: **Cecil R. Irvin, 7721 Jacobo NE., Albuquerque, N. Mex. 87109**

Primary Examiner—Wallace R. Burke
Assistant Examiner—H. Baynham
Attorney, Agent, or Firm—John R. Lansdowne

[**] Term: **14 Years**

[57] **CLAIM**

[21] Appl. No.: **13,715**

The ornamental design for a textile display hanger, as shown.

[22] Filed: **Sep. 29, 1993**

[52] U.S. Cl. **D6/410; D8/373**

[58] Field of Search **D8/373; 248/221.4; 40/617, 603; D6/410, 553**

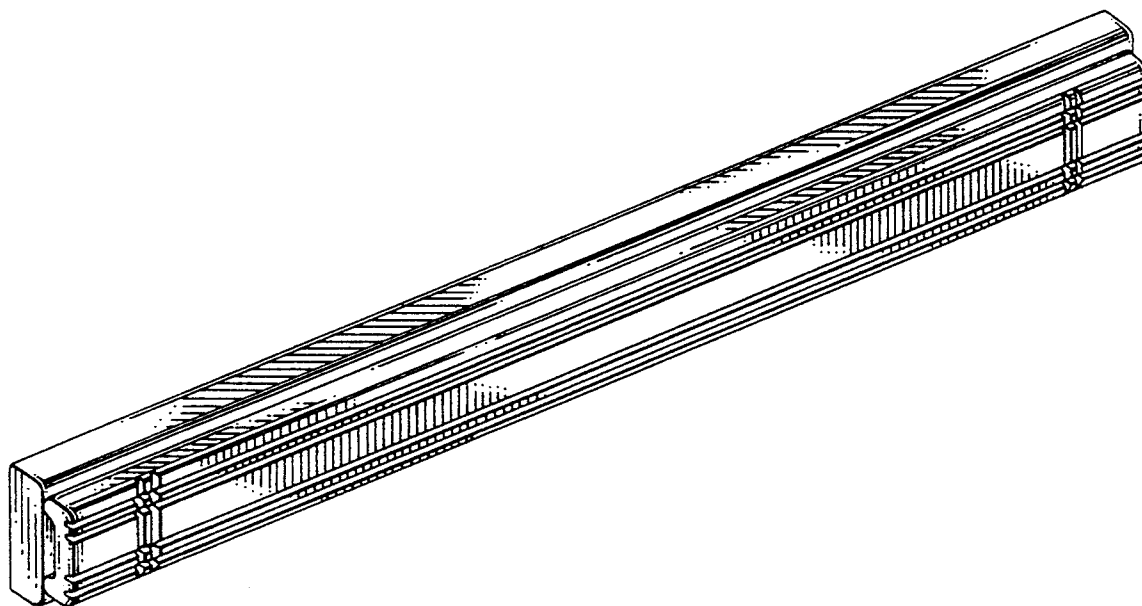
DESCRIPTION

FIG. 1 is a perspective view of a textile display hanger showing my new design;
FIG. 2 is an enlarged front elevational view thereof;
FIG. 3 is a rear elevational view thereof;
FIG. 4 is a top plan view thereof with the bottom view being a mirror image thereof; and,
FIG. 5 is a side elevational view thereof, with the opposite side being a mirror image thereof.
The drawing views of FIGS. 2-4 are shown broken away for ease of illustration.

[56] **References Cited**

U.S. PATENT DOCUMENTS

D. 215,697	10/1969	Toder	D8/377
D. 266,858	11/1982	Cole	D8/373 X
D. 320,521	10/1991	Baur	D8/373 X
4,698,930	10/1987	McNair	40/617 X
4,805,330	2/1989	Bubernak	40/617



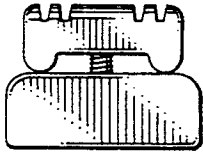


FIG. 5

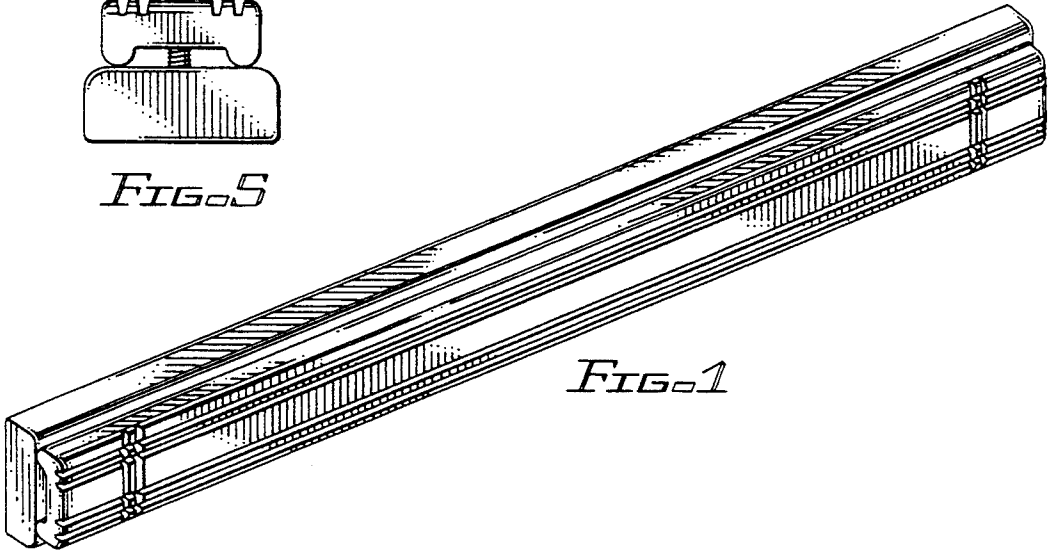


FIG. 1

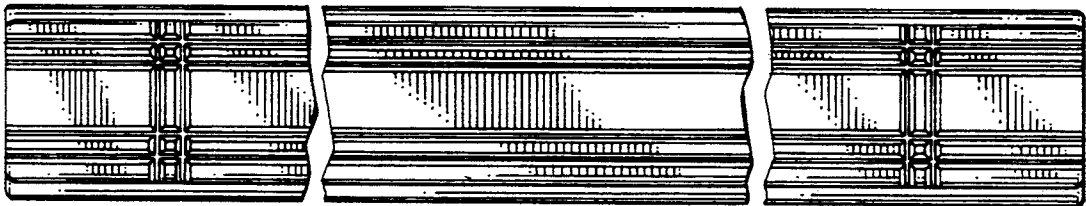


FIG. 2

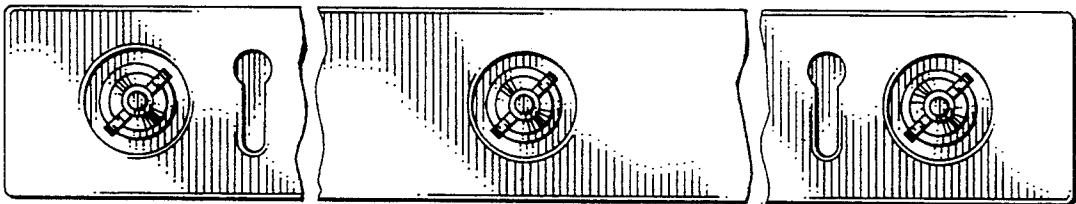


FIG. 3

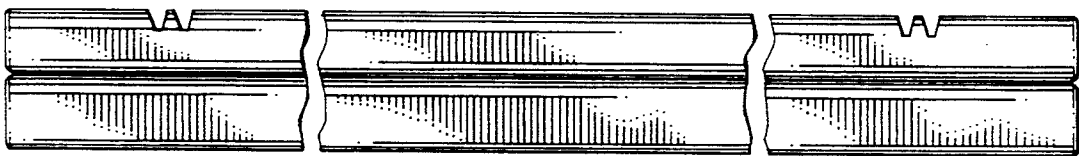


FIG. 4