



US00D954159S

(12) **United States Design Patent**  
**Wang**

(10) **Patent No.:** **US D954,159 S**  
(45) **Date of Patent:** **\*\* Jun. 7, 2022**

(54) **TOY VACUUM CLEANER**  
(71) Applicant: **All Courtesy Gift and Toys (Shantou) Co., Ltd, Shantou (CN)**  
(72) Inventor: **Ruisheng Wang, Shantou (CN)**  
(\*\*) Term: **15 Years**  
(21) Appl. No.: **29/736,491**  
(22) Filed: **Jun. 1, 2020**

D741,558 S \* 10/2015 Kerr ..... D32/21  
D747,571 S \* 1/2016 Dyson ..... D32/18  
D747,572 S \* 1/2016 Kerr ..... D32/18  
9,420,925 B2 \* 8/2016 Conrad ..... A47L 9/1608  
9,451,858 B2 \* 9/2016 Stickney ..... A47L 9/1683  
9,516,979 B2 \* 12/2016 Gidwell ..... A47L 5/26

(Continued)

**FOREIGN PATENT DOCUMENTS**

CN 303755913 \* 7/2016  
KR 301020501.0000 \* 8/2019

**OTHER PUBLICATIONS**

InFunBeBe S1 Vacuum Cleaner, available on buttonandwheel.com, oldest customer review Nov. 1, 2020, [site visited Jan. 24, 2022], URL: <https://www.buttonandwheel.com/infunbebe-s1-vacuum-cleaner?search=INFUNBeBe%20vacuum> (Year: 2020).\*

(Continued)

*Primary Examiner* — Dana K Weiland  
*Assistant Examiner* — Emily Anna Saunders

(57) **CLAIM**

The ornamental design for a toy vacuum cleaner, as shown and described.

**DESCRIPTION**

FIG. 1 is a perspective view of a toy vacuum cleaner showing my new design;  
FIG. 2 is a front view thereof;  
FIG. 3 is a back view thereof;  
FIG. 4 is a left side view thereof;  
FIG. 5 is a right side view thereof;  
FIG. 6 is a top view thereof; and,  
FIG. 7 is a bottom view thereof.  
The broken lines shown in the drawings depict portions of the toy vacuum cleaner in which the design is embodied that form no part of the claimed design.

**1 Claim, 7 Drawing Sheets**

(30) **Foreign Application Priority Data**

May 15, 2020 (CN) ..... 202030222259.7

(51) **LOC (13) Cl.** ..... **21-01**

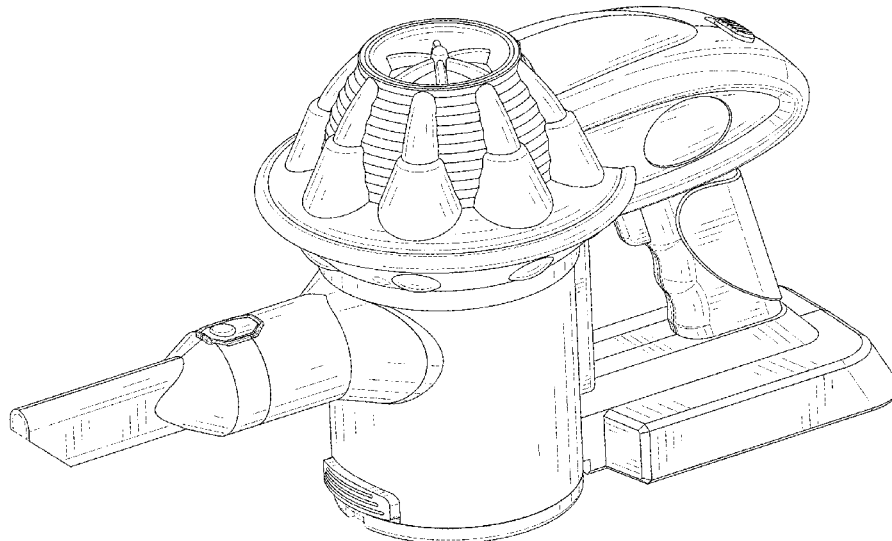
(52) **U.S. Cl.**  
USPC ..... **D21/526; D32/18**

(58) **Field of Classification Search**  
USPC .... D21/526, 523, 528, 483; D32/17, 18, 21, D32/22, 23, 24, 25, 31, 15  
CPC ..... A47L 5/10; A47L 5/24; A47L 5/28; A47L 5/30; A47L 5/34; A47L 5/36; A47L 9/00; A47L 9/02; A47L 9/04; A47L 9/0461; A47L 9/0606; A47L 9/0633; A47L 9/0673; A47L 11/30; A47L 11/302; A47L 11/4044; B04C 5/185; E04H 4/1636  
See application file for complete search history.

(56) **References Cited**

**U.S. PATENT DOCUMENTS**

D577,163 S \* 9/2008 Dyson ..... D32/18  
7,931,716 B2 \* 4/2011 Oakham ..... A47L 9/2805  
55/337  
8,925,145 B2 \* 1/2015 Wilson ..... A47L 9/1641  
15/347  
9,027,198 B2 \* 5/2015 Conrad ..... A47L 9/1666  
15/344  
D731,133 S \* 6/2015 Dyson ..... D32/31  
D731,134 S \* 6/2015 Dyson ..... D32/31  
D739,102 S \* 9/2015 Dyson ..... D32/21



(56)

## References Cited

## U.S. PATENT DOCUMENTS

D821,667	S *	6/2018	Nam	.....	D32/18
D827,955	S *	9/2018	Palladino	.....	D32/18
D840,616	S *	2/2019	Carter	.....	D32/18
D868,400	S *	11/2019	Niedzwecki	.....	D32/18
10,506,904	B2 *	12/2019	Conrad	.....	B01D 46/0004
D872,394	S *	1/2020	Yang	.....	D32/18
D874,758	S *	2/2020	Schroeter	.....	D32/18
D879,395	S *	3/2020	Pearce	.....	D32/18
10,646,082	B2 *	5/2020	Nam	.....	A47L 9/2884
10,646,806	B2 *	5/2020	Nam	.....	B01D 46/106
10,743,733	B2 *	8/2020	Stickney	.....	A47L 9/2884
D915,697	S *	4/2021	Kim	.....	B01D 46/62
					D32/18
D927,103	S *	8/2021	Zou	.....	D32/18
D936,311	S *	11/2021	Liu	.....	D32/18
2009/0265877	A1 *	10/2009	Dyson	.....	A47L 9/2884
					15/344
2013/0160233	A1 *	6/2013	Peace	.....	A47L 9/1641
					15/353
2014/0137363	A1 *	5/2014	Wilson	.....	A47L 9/1683
					15/347
2014/0328670	A1 *	11/2014	Lamb	.....	F04D 29/5813
					415/119

## OTHER PUBLICATIONS

Infunbebe | Kitchen Super Chef | S1 Vacuum Cleaner, available on facebook.com, date posted Mar. 27, 2021, [site visited Jan. 24, 2022], URL: <https://www.facebook.com/media/set/?set=a.4127508420704091&type=3> (Year: 2021).\*

Yellow & Purple My Modern Vacuum Cleaner Toy, available on zulily.com, [site visited Jan. 24, 2022], URL: <https://www.zulily.com/p/yellow-purple-my-modern-vacuum-cleaner-toy-5675-98984843.html> (Year: 2022).\*

Kidzlane Kids Vacuum, available on amazon.com, oldest customer review with photo Sep. 17, 2019, [site visited Jan. 24, 2022], URL: <https://www.amazon.com/Kidzlane-Handheld-Toy-Vacuum-Cleaner/dp/B07X9VR3D3> (Year: 2019).\*

Skin-Friendly Children's Vacuum Cleaner, available on walmart.com, [site visited Jan. 24, 2022], URL: <https://www.walmart.com/ip/Skin-Friendly-Children-s-Vacuum-Cleaner-Toy-Dress-Up-Game-Electrical-Household-Cleaning-Tool-Music-Light-Shelf-Children-Indoor-Gift/145899572> (Year: 2022).\*

JOYIN Vacuum Cleaner Toy, available on amazon.com, oldest customer review Dec. 18, 2021, [site visited Jan. 24, 2022], URL: <https://www.amazon.com/JOYIN-Interactive-Different-Housekeeping-Realistic/dp/B099WN1N1S/> (Year: 2021).\*

Kids Vacuum Cleaner for Toddlers, available on amazon.co.uk, date first available Dec. 11, 2021, [site visited Jan. 26, 2022], URL: <https://www.amazon.co.uk/Cleaning-Cordless-Electric-Household-Housekeeping/dp/B09NFW6XYR/> (Year: 2021).\*

Super Joy Toy Kids Vacuum, available on amazon.com, oldest customer review with image Jul. 7, 2021, [site visited Jan. 24, 2022], URL: <https://www.amazon.com/SUPER-JOY-Cord-Free-Housekeeping-Toddlers/dp/B08XWSG58W> (Year: 2021).\*

Run Don't Walk, Children's Vacuum, available on mamamia.com.au, published Feb. 29, 2020, [site visited Jan. 24, 2022], URL: <https://www.mamamia.com.au/kmart-cordless-vacuum-for-children/> (Year: 2020).\*

Kids Vacuum, available on walmart.com, oldest customer review Dec. 9, 2021, [site visited Jan. 24, 2022], URL: <https://www.walmart.com/ip/Kids-Vacuum-Toy-Vacuum-Cleaner-Toddler-Lights-Sounds-Cord-Free-Pretend-Play-Housekeeping-Toys-Working-Suction-Great-Gifts-Toddlers-Boys-Girls-Ages-3/523780803> (Year: 2021).\*

Casdon Dyson Cord-Free Vacuum, available on amazon.com, date first available Oct. 3, 2018, [site visited Jan. 24, 2022], URL: <https://www.amazon.com/Casdon-Little-Helper-Cord-Free-Cleaner/dp/B01M3WPLZX/> (Year: 2018).\*

Dyson V6 Trigger, available on amazon.com, date first available May 22, 2018, [site visited Jan. 24, 2022], URL: <https://www.amazon.com/Dyson-Trigger-21-6-Volt-Cordless-Handheld/dp/B0792GPJ8S/> (Year: 2018).\*

Home: Dyson DC34 Handheld Vacuum, available on 9to5toys.com, date published Mar. 10, 2015, [site visited Jan. 24, 2022], URL: <https://9to5toys.com/2015/03/10/dyson-dc34-hand-vacuum/> (Year: 2015).\*

Dyson V8 Animal Cordless Stick Vacuum, available on amazon.com, customer review Dec. 3, 2017, [site visited Jan. 24, 2022], URL: <https://www.amazon.com/dp/B06XG7WKKL/> (Year: 2017).\*

\* cited by examiner

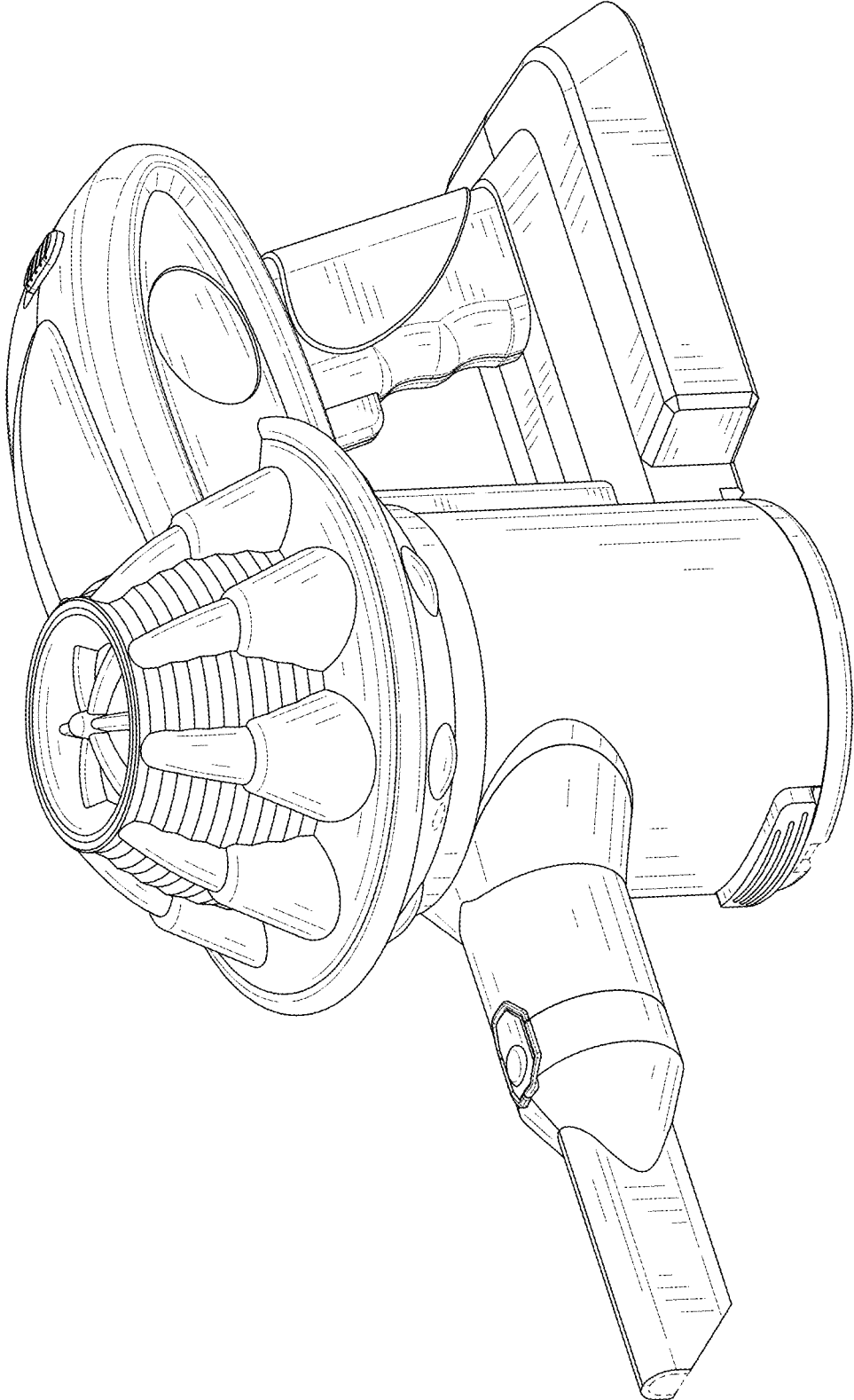


FIG. 1

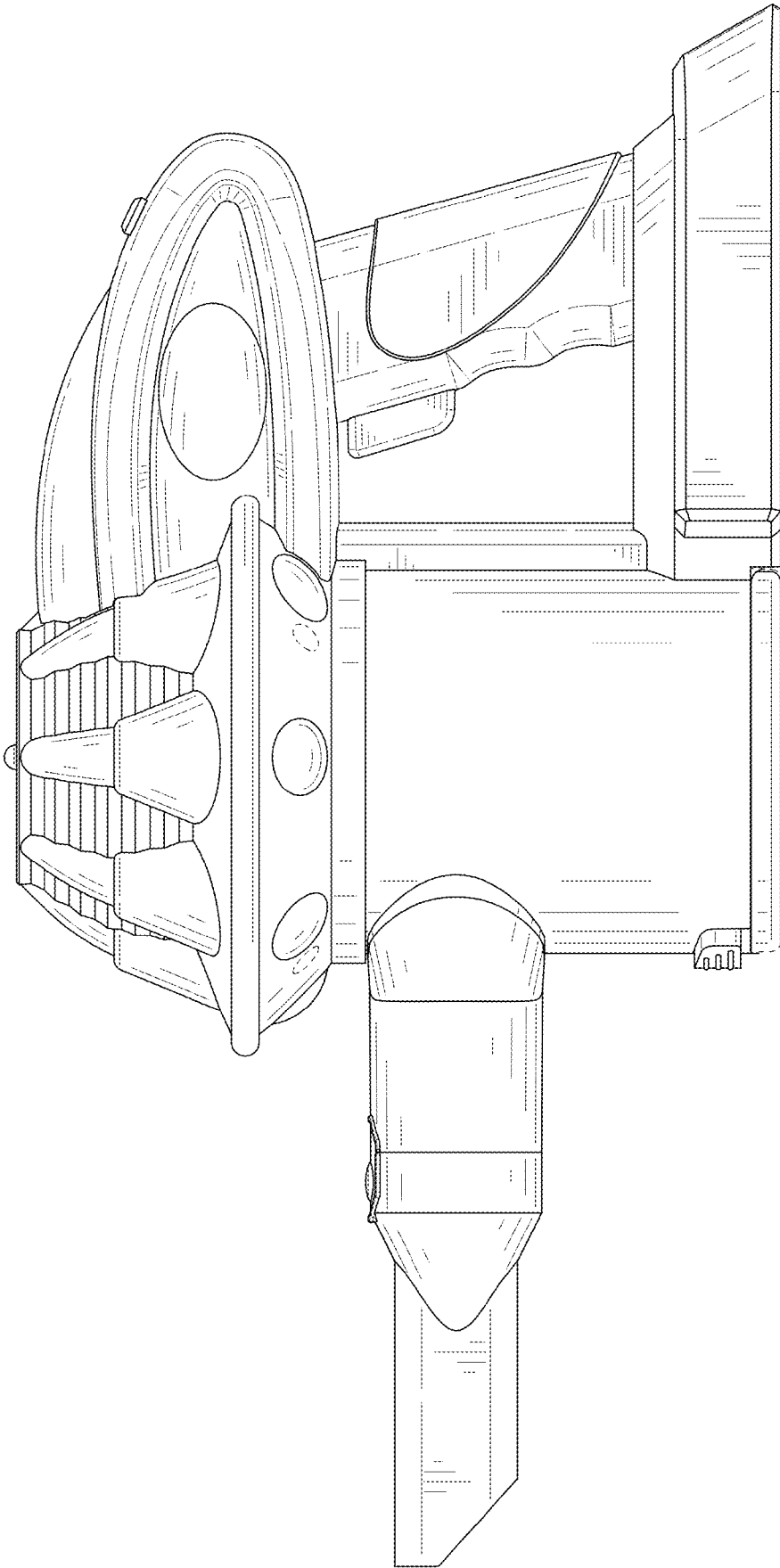


FIG. 2

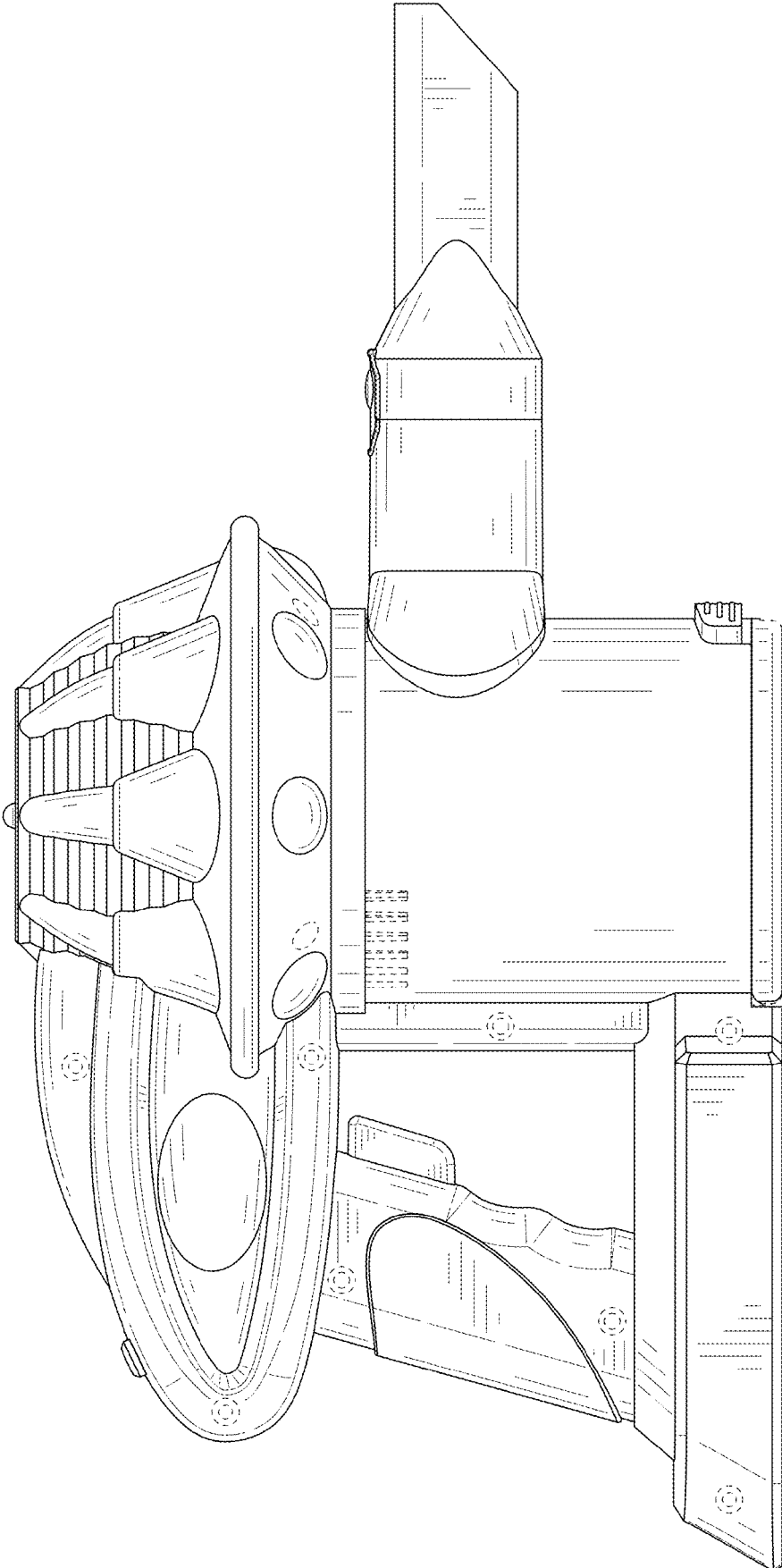


FIG. 3

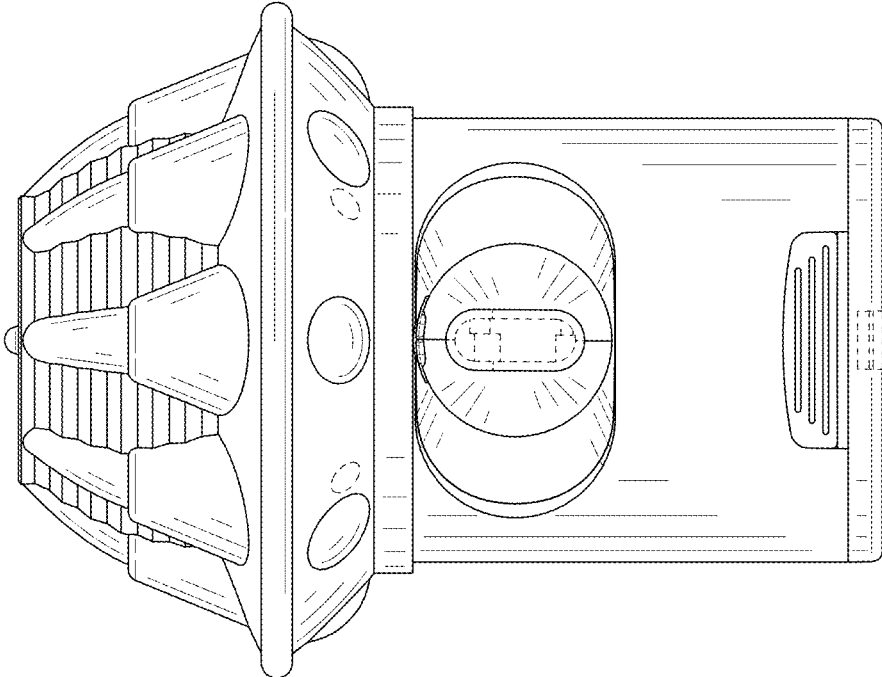


FIG. 4

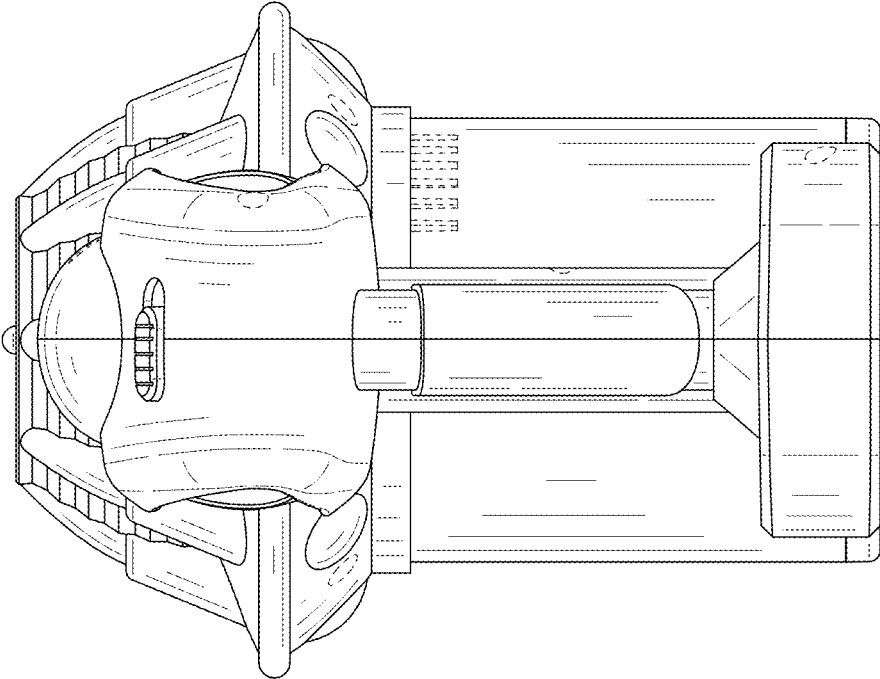


FIG. 5

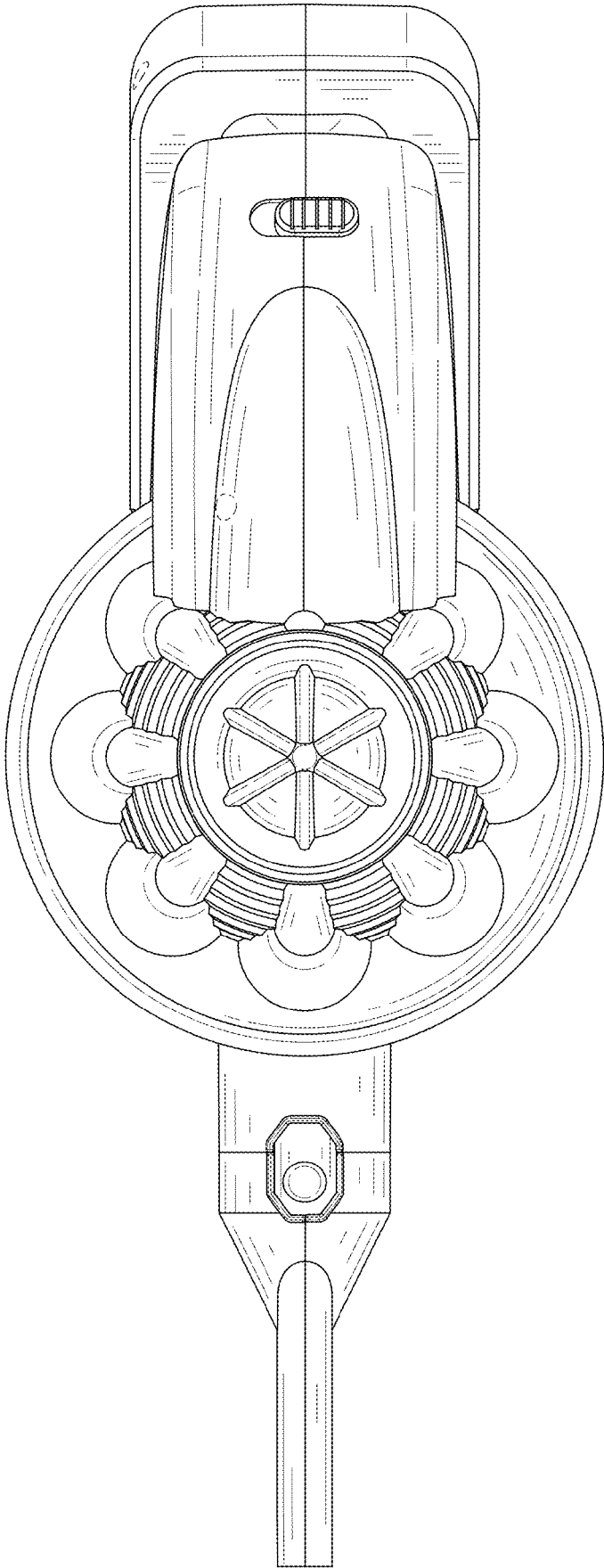


FIG. 6



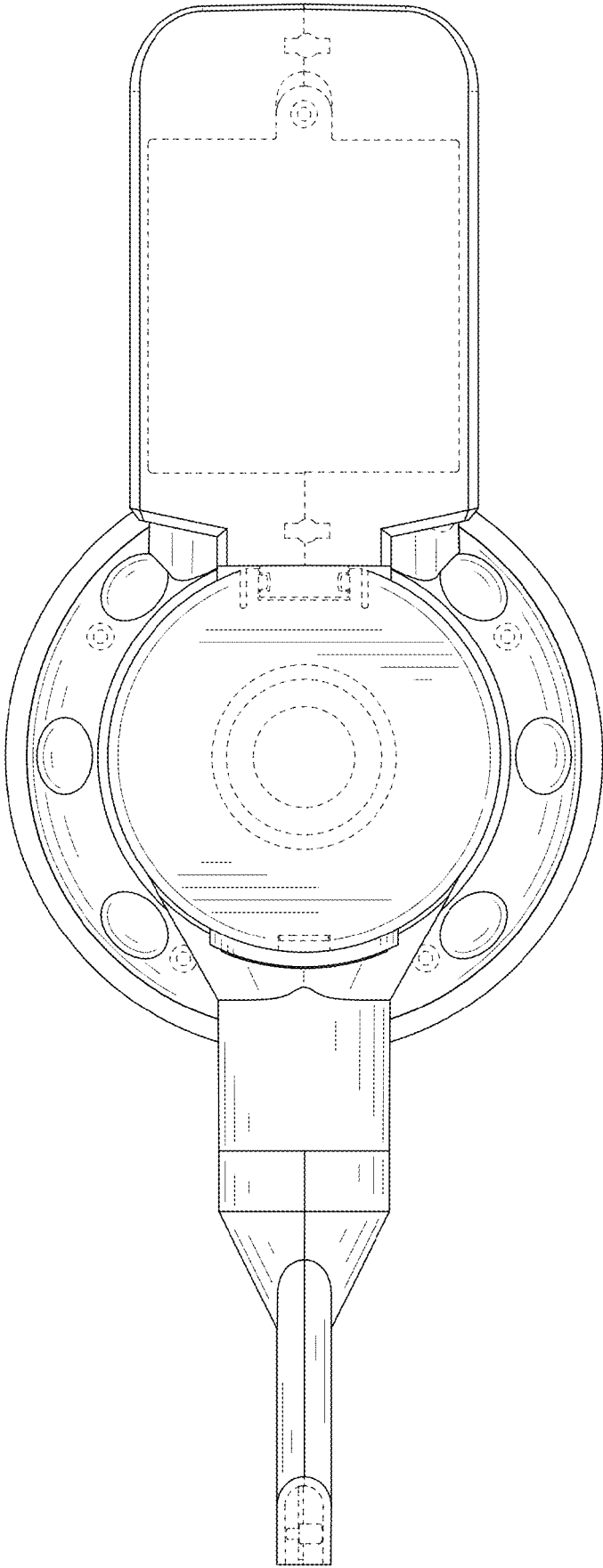


FIG. 7