



US00D873417S

(12) **United States Design Patent**
Scott

(10) **Patent No.:** **US D873,417 S**

(45) **Date of Patent:** **** Jan. 21, 2020**

(54) **SURGICAL ROBOT ARM**
(71) Applicant: **CMR SURGICAL LIMITED,**
Cambridge (GB)
(72) Inventor: **Roy Scott,** Cambridge (GB)
(73) Assignee: **CMR Surgical Limited,** Cambridge
(GB)
(**) Term: **15 Years**

10,206,752 B2 * 2/2019 Hares B25J 9/1689
D846,127 S * 4/2019 Yang D24/185
10,299,873 B2 * 5/2019 Hares A61B 34/71
D852,285 S * 6/2019 Qi D21/578
10,398,516 B2 * 9/2019 Jackson

* cited by examiner

Primary Examiner — Rhea Shields
(74) *Attorney, Agent, or Firm* — Mintz Levin Cohn Ferris
Glovsky and Popeo, P.C.

(21) Appl. No.: **29/627,992**
(22) Filed: **Nov. 30, 2017**

(57) **CLAIM**

The ornamental design for a surgical robot arm, as shown
and described.

(30) **Foreign Application Priority Data**

May 30, 2017 (GB) 6013079

(51) **LOC (12) Cl.** **24-02**
(52) **U.S. Cl.**
USPC **D24/185**
(58) **Field of Classification Search**
USPC D24/185, 199; D21/578; D15/199;
D13/168
CPC ... A61B 34/71; B25J 9/08; B25J 9/041; B25J
9/1689
See application file for complete search history.

DESCRIPTION

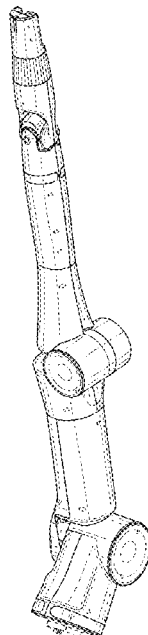
FIG. 1 is a top, right-side, front perspective view of a
surgical robot arm;
FIG. 2 is a front elevation view of the surgical robot arm of
FIG. 1;
FIG. 3 is a back elevation view of the surgical robot arm of
FIG. 1;
FIG. 4 is a left-side elevation view of the surgical robot arm
of FIG. 1;
FIG. 5 is a right-side elevation view of the surgical robot arm
of FIG. 1;
FIG. 6 is a top plan view of the surgical robot arm of FIG.
1; and,
FIG. 7 is a bottom plan view of the surgical robot arm of
FIG. 1.
In the drawings, the broken lines are for the purpose of
illustrating environment only and form no part of the
claimed design.

(56) **References Cited**

U.S. PATENT DOCUMENTS

3,951,271 A * 4/1976 Mette B25J 9/041
414/591
4,766,775 A * 8/1988 Hodge B25J 9/08
74/490.01
D763,336 S * 8/2016 Ries D15/199
D825,066 S * 8/2018 Liu D24/199
D840,360 S * 2/2019 Scott D13/168

1 Claim, 7 Drawing Sheets



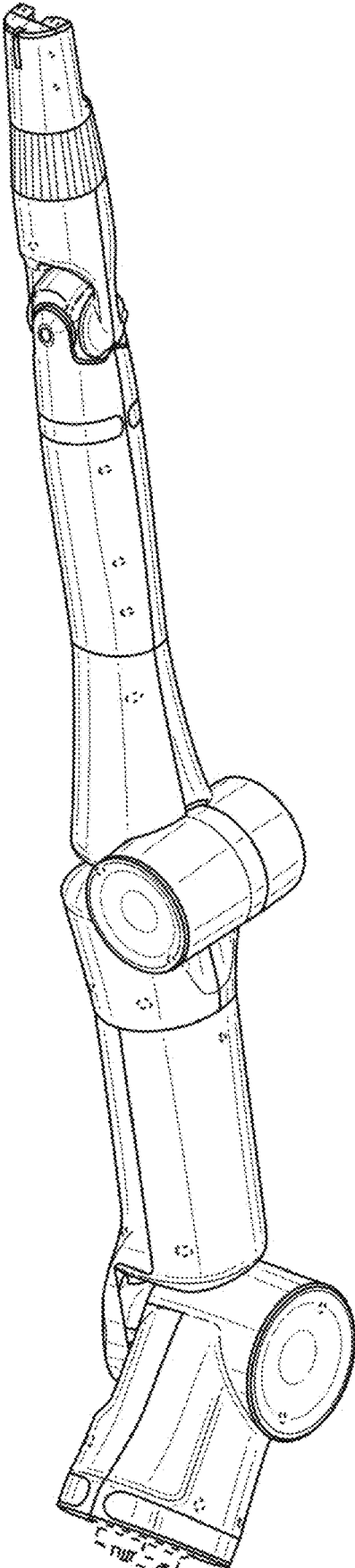


FIG. 1

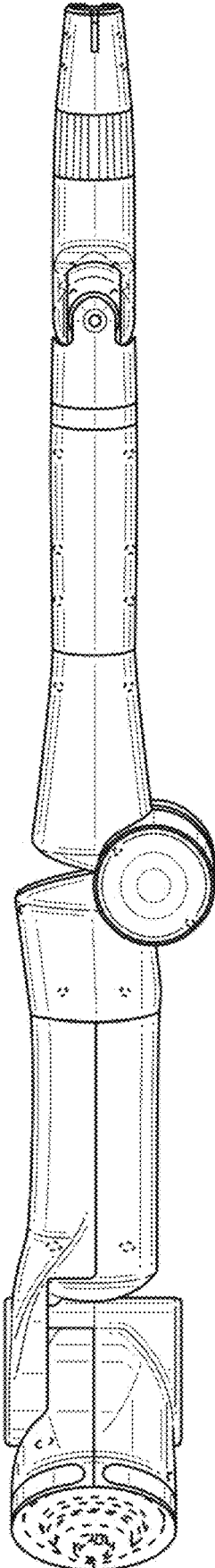


FIG. 2

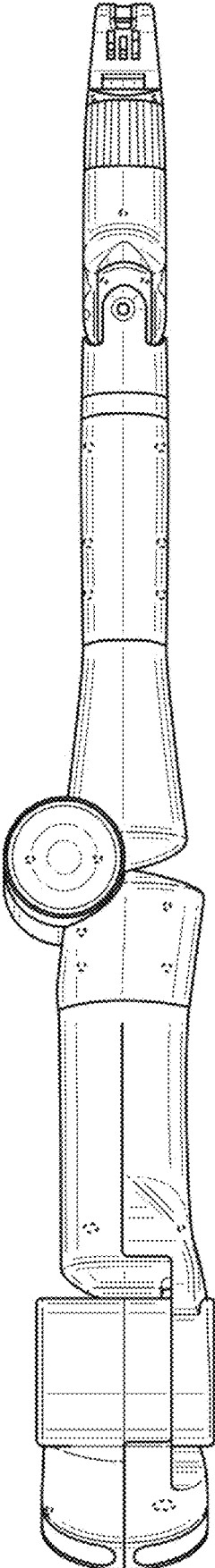


FIG. 3

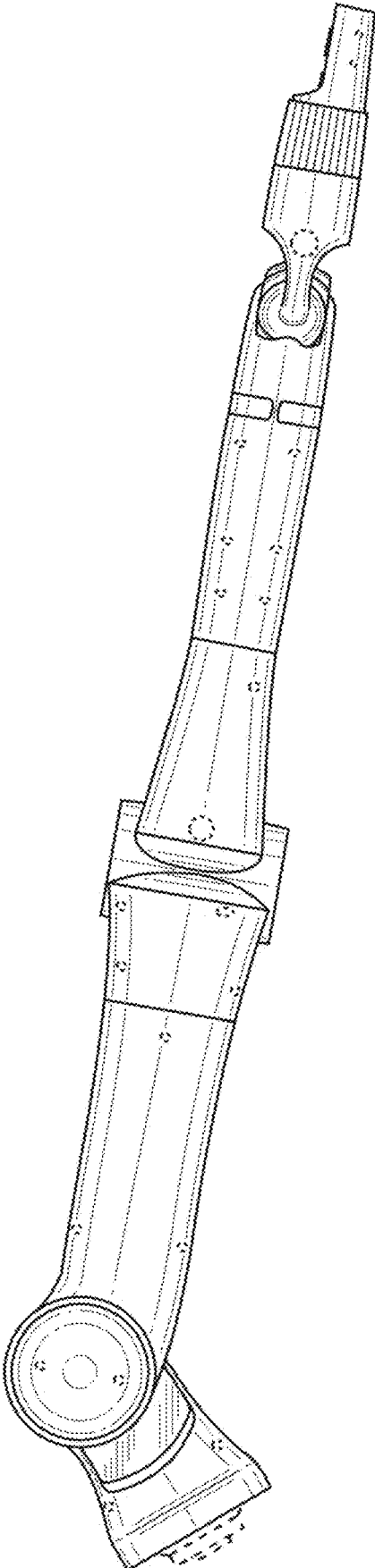


FIG. 4

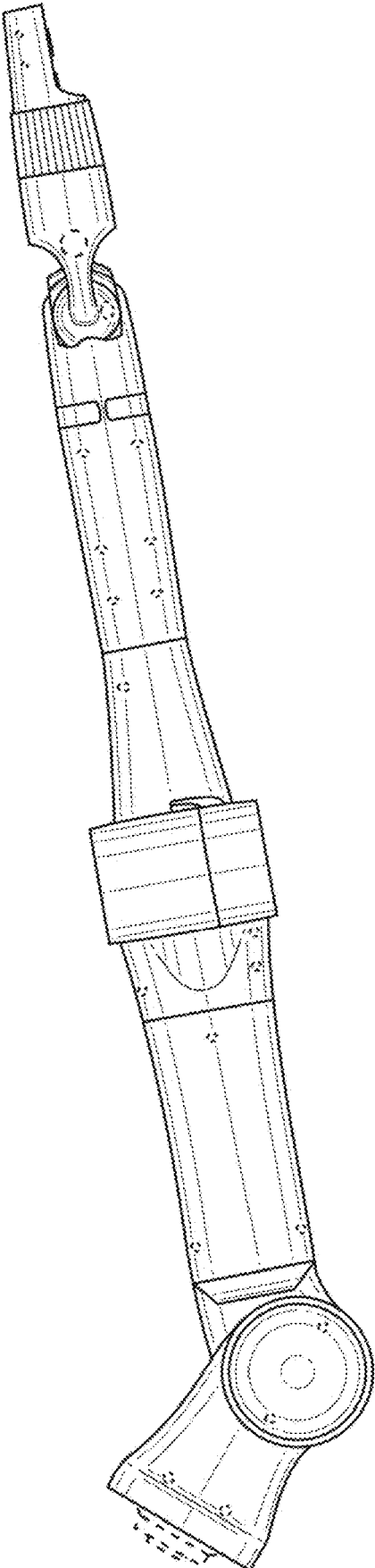


FIG. 5

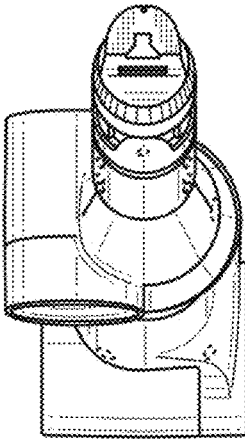


FIG. 6

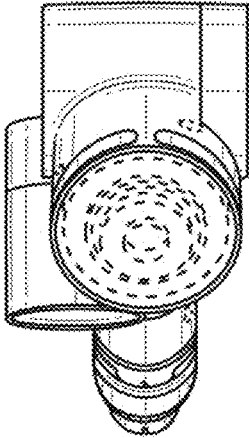


FIG. 7