



(12) **United States Design Patent**  
**Ito**

(10) **Patent No.:** **US D1,003,260 S**  
(45) **Date of Patent:** **\*\* Oct. 31, 2023**

- (54) **PUSH BUTTON FOR SWITCHES**
- (71) Applicant: **SHIN-ETSU POLYMER CO., LTD.**,  
Tokyo (JP)
- (72) Inventor: **Masayuki Ito**, Shiojiri (JP)
- (73) Assignee: **SHIN-ETSU POLYMER CO., LTD.**,  
Tokyo (JP)
- (\*\*) Term: **15 Years**
- (21) Appl. No.: **35/513,801**
- (22) Filed: **Sep. 10, 2021**
- (80) **Hague Agreement Data**

Int. Filing Date: **Sep. 10, 2021**  
 Int. Reg. No.: **DM/216546**  
 Int. Reg. Date: **Sep. 10, 2021**  
 Int. Reg. Pub. Date: **Mar. 11, 2022**

(30) **Foreign Application Priority Data**

Mar. 12, 2021 (JP) ..... 2021-005087

(51) **LOC (14) Cl.** ..... **13-03**

(52) **U.S. Cl.**

USPC ..... **D13/174**

(58) **Field of Classification Search**

USPC ..... D13/158, 171, 173, 174  
 CPC ..... H01H 13/02; H01H 13/04; H01H 13/06;  
 H01H 13/10; H01H 13/12; H01H 13/14;  
 H01H 13/20; H01H 13/28; H01H 13/50;  
 H01H 13/58; H01H 13/86; H01H 3/02;  
 H01H 3/04; H01H 3/08; H01H 3/12;  
 H01H 3/122; H01H 9/02; H01H 9/0235;  
 H01H 9/04; H01H 9/041; H01H 19/06;  
 H01H 19/065; H01H 2223/002; H01H  
 2223/003

See application file for complete search history.

(56) **References Cited**

**U.S. PATENT DOCUMENTS**

- 3,392,252 A \* 7/1968 Crawford ..... H01H 13/50  
200/510
- D227,903 S \* 7/1973 Nicol ..... D13/160
- 4,175,222 A \* 11/1979 Buttner ..... H01H 11/0006  
200/16 B
- 4,288,670 A \* 9/1981 Buttner ..... H01H 11/0006  
200/16 A

(Continued)

**OTHER PUBLICATIONS**

Indian Motorcycle, SPCL Screw, Part 7520514, retrieved on Jan. 18, 2023, 1pg.\*

(Continued)

*Primary Examiner* — Selina Sikder

(74) *Attorney, Agent, or Firm* — HAUPTMAN HAM, LLP

(57) **CLAIM**

The ornamental design for a push button for switches, as shown and described.

**DESCRIPTION**

1. Push button for switches

**1.1** : Front

**1.2** : Right

**1.3** : Top

**1.4** : Bottom

**1.5** : Top side perspective view

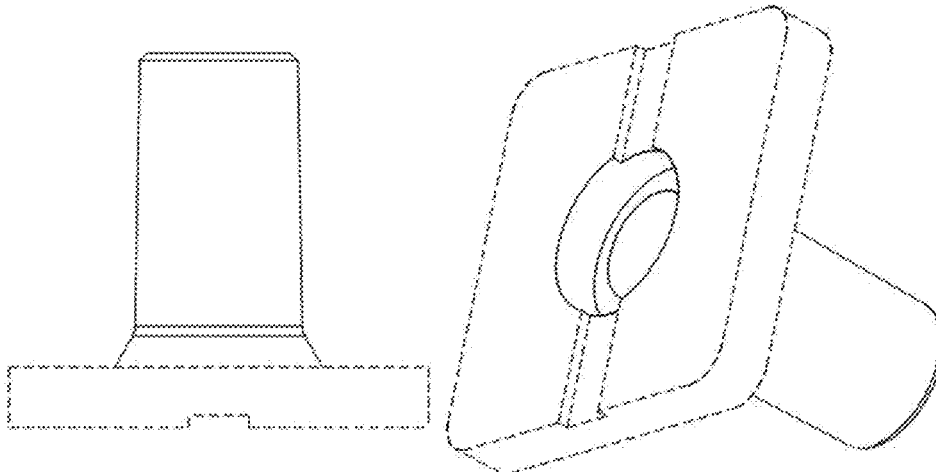
**1.6** : Bottom side perspective view

**1.7** : A-A cross sectional view

In each figure, the parts indicated by the solid lines, excluding the dotted lines, are the parts for which a design is to be registered as a partial design; the back view is omitted because it is identical to the front view; the left side view is omitted because it is identical to the right side view; the “A-A cross-sectional view” is a cross-sectional view of the article when it is cut by the A-A line of the bottom view.

The broken lines showing portions of the push button for switches are for illustrative purposes and form no part of the claimed design.

**1 Claim, 7 Drawing Sheets**



(56)

References Cited

U.S. PATENT DOCUMENTS

4,317,015 A \* 2/1982 Buttner ..... H01H 13/58  
 200/16 A  
 D265,192 S \* 6/1982 Noeth, Jr. .... D14/456  
 4,388,503 A \* 6/1983 Penland ..... H01H 13/64  
 200/5 R  
 4,433,222 A \* 2/1984 Kodaira ..... H01H 13/12  
 200/254  
 4,506,124 A \* 3/1985 Rose ..... H01H 13/58  
 74/129  
 D280,814 S \* 10/1985 Ohashi ..... D13/171  
 D287,359 S \* 12/1986 Ohashi ..... D13/171  
 4,771,141 A \* 9/1988 Flumignan ..... H01H 13/58  
 200/528  
 D313,974 S \* 1/1991 Meller ..... D13/199  
 4,996,401 A \* 2/1991 Park ..... H01H 13/585  
 200/527  
 5,001,316 A \* 3/1991 Salaman ..... H01H 13/585  
 200/11 DA  
 D315,894 S \* 4/1991 Giannini ..... D13/171  
 5,043,546 A \* 8/1991 Krause ..... H01H 13/58  
 200/283  
 5,384,442 A \* 1/1995 Danner ..... G05G 1/087  
 200/566  
 5,667,062 A \* 9/1997 Yasufuku ..... H01H 1/40  
 200/260  
 5,847,345 A \* 12/1998 Harrison ..... H01H 13/585  
 200/11 G  
 D432,997 S \* 10/2000 Bonn ..... D13/174  
 6,207,910 B1 \* 3/2001 Harvey ..... H01R 13/7032  
 200/16 R

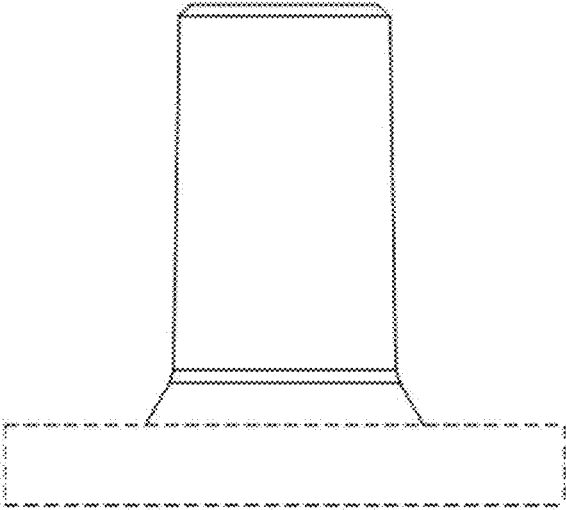
7,397,004 B2 \* 7/2008 Nakade ..... H01H 1/06  
 200/276.1  
 7,525,057 B2 \* 4/2009 Glasson ..... H01H 13/04  
 200/329  
 7,880,107 B1 \* 2/2011 Srbinovski ..... H01H 13/48  
 200/406  
 8,916,784 B2 \* 12/2014 Chuang ..... H01H 13/28  
 200/5 R  
 D743,917 S \* 11/2015 Muramoto ..... D13/171  
 D814,427 S \* 4/2018 Ozawa ..... D13/173  
 D845,241 S \* 4/2019 Yang ..... D13/133  
 D906,988 S \* 1/2021 Zimmer ..... D22/108  
 2005/0263380 A1 \* 12/2005 Bouvier ..... H01H 13/64  
 200/310  
 2015/0213975 A1 \* 7/2015 Zheng ..... H01H 13/80  
 200/5 A  
 2015/0287557 A1 \* 10/2015 Fukunaga ..... H01C 10/14  
 200/283  
 2016/0021456 A1 \* 1/2016 Vansickle ..... H01H 3/08  
 381/123  
 2017/0032907 A1 \* 2/2017 Kanemoto ..... H01H 25/002  
 2017/0222119 A1 \* 8/2017 Ozawa ..... H01L 41/083  
 2018/0218856 A1 \* 8/2018 Ito ..... H01H 13/023  
 2019/0115166 A1 \* 4/2019 Ferrari ..... H01H 9/0228  
 2020/0282899 A1 \* 9/2020 Iwanami ..... H01H 3/04  
 2021/0202190 A1 \* 7/2021 Fujita ..... H01H 13/785  
 2021/0304980 A1 \* 9/2021 Gauthier ..... H01H 13/04

OTHER PUBLICATIONS

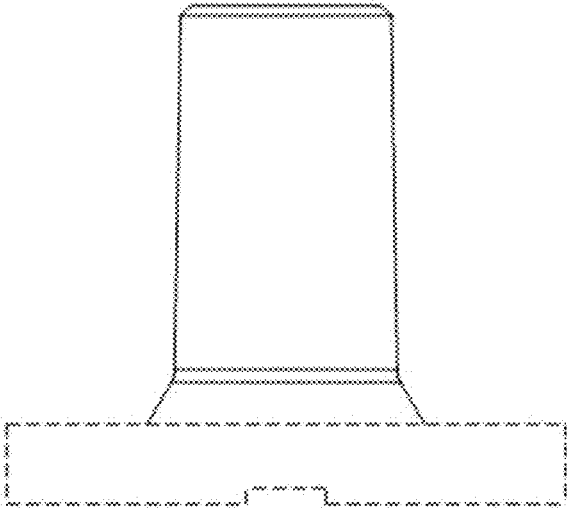
Nuine OE Nissan Finish Plate Bolt—14069-0M300—Walmart.com, retrieved on Jan. 18, 2023; 1 pg.\*

\* cited by examiner

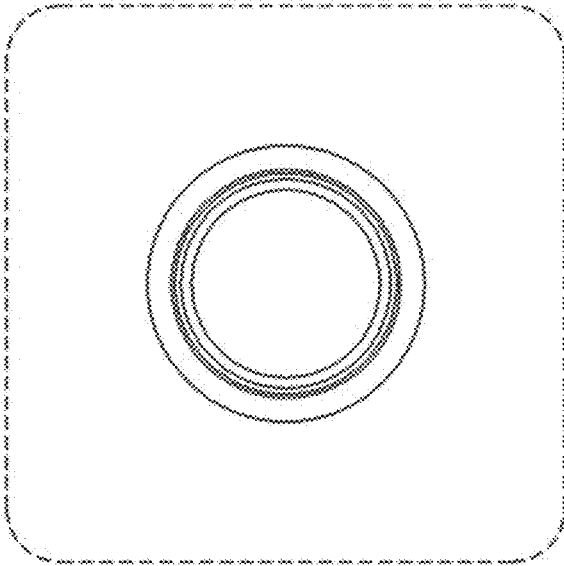
1.1



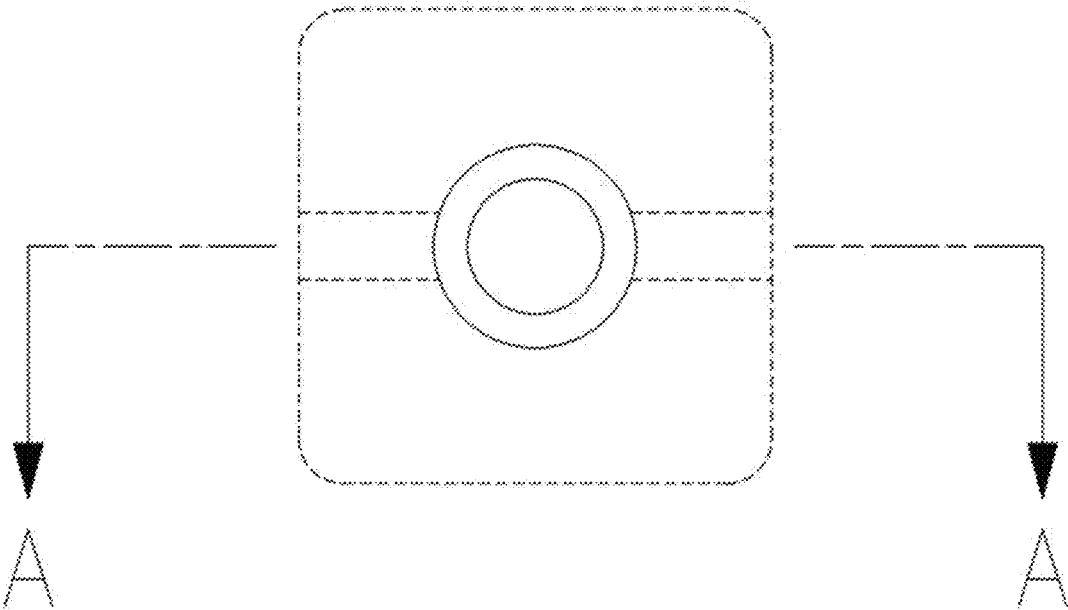
1.2



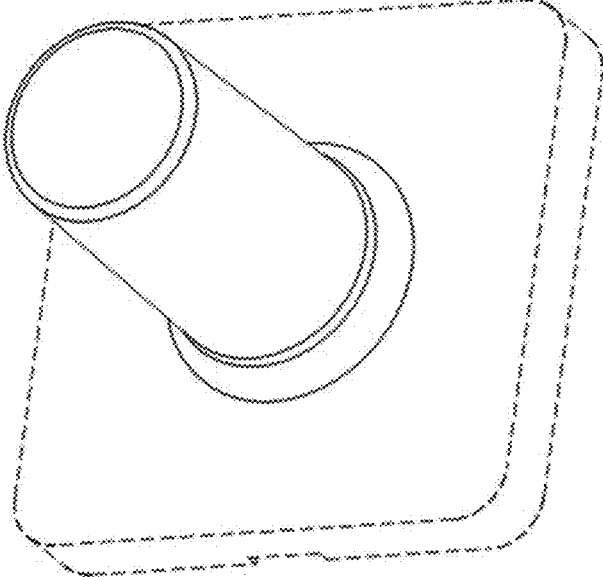
1.3



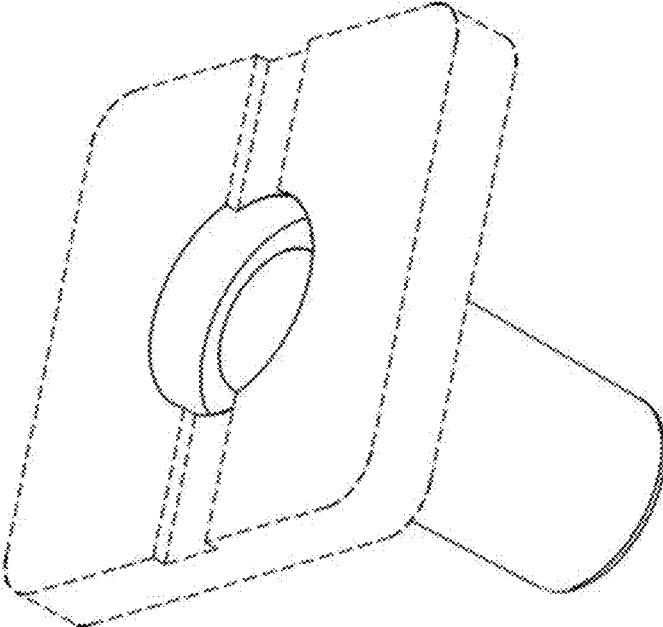
1.4



1.5



1.6





1.7

