



US00D947668S

(12) **United States Design Patent**
Righi

(10) **Patent No.:** **US D947,668 S**

(45) **Date of Patent:** **** Apr. 5, 2022**

(54) **SPRAY CAP**

(71) Applicant: **Coster Tecnologie Speciali S.p.A.**,
Calceranica al Lago (IT)

(72) Inventor: **Leonardo Righi**, Arco (IT)

(73) Assignee: **Coster Tecnologie Speciali S.p.A.**,
Calceranica al Lago (IT)

(**) Term: **15 Years**

(21) Appl. No.: **29/758,756**

(22) Filed: **Nov. 18, 2020**

(30) **Foreign Application Priority Data**

May 22, 2020 (EM) 007960794-0001

(51) **LOC (13) CL.** **09-07**

(52) **U.S. CL.**
USPC **D9/448; D9/688; D9/690**

(58) **Field of Classification Search**
USPC D9/435, 439, 440, 442-449, 450, 454,
D9/531, 682-694, 723, 575; D7/321,
D7/391, 392, 392.1, 396.2, 507, 509-511,
D7/523, 608, 900; D6/515
CPC B65D 83/205; B65D 83/206; B65D 83/40;
B65D 2543/00046; A47G 19/2272
See application file for complete search history.

(56) **References Cited**

U.S. PATENT DOCUMENTS

D196,686 S *	10/1963	Croyle	D9/448
D197,390 S *	1/1964	Swett	D9/448
D204,031 S *	3/1966	Abplanalp	D9/448
D205,739 S *	9/1966	Pizzuro	D9/448
D206,968 S *	2/1967	Pizzurro	D9/448
D225,731 S *	1/1973	Lousie	D9/448
D225,733 S *	1/1973	Lousie	D9/448
D313,345 S *	1/1991	Wefler	D9/689

D413,514 S *	9/1999	Pericard	D9/448
D419,878 S *	2/2000	Kerr	D9/448
D423,356 S *	4/2000	Mineau	D9/448
D447,948 S *	9/2001	Pannozzo	D9/448
D471,106 S *	3/2003	Pannozzo	D9/448
D478,284 S *	8/2003	Pannozzo	D9/448
D478,285 S *	8/2003	Pannozzo	D9/448
D491,064 S *	6/2004	Miller	D9/448
D492,193 S *	6/2004	Miller	D9/688
D506,389 S *	6/2005	Geier	D9/448
D507,487 S *	7/2005	Marroncles	D9/448
D510,267 S *	10/2005	Miller	D9/448
D512,309 S *	12/2005	Geier	D9/448
D537,715 S *	3/2007	Downey	D9/448
D538,651 S *	3/2007	Nukuto	D9/448

(Continued)

FOREIGN PATENT DOCUMENTS

CN	303861780	*	9/2016
CN	305171318	*	5/2019

(Continued)

Primary Examiner — Brett Miller

Assistant Examiner — Rani J Abdallah

(74) *Attorney, Agent, or Firm* — Dickinson Wright PLLC;
Andrew D. Dorisio

(57) **CLAIM**

The ornamental design for spray cap, as shown and described.

DESCRIPTION

FIG. 1 is a perspective front view of a spray cap according to my new design;

FIG. 2 is a front view of the spray cap of FIG. 1;

FIG. 3 is a left side view of the spray cap of FIG. 1;

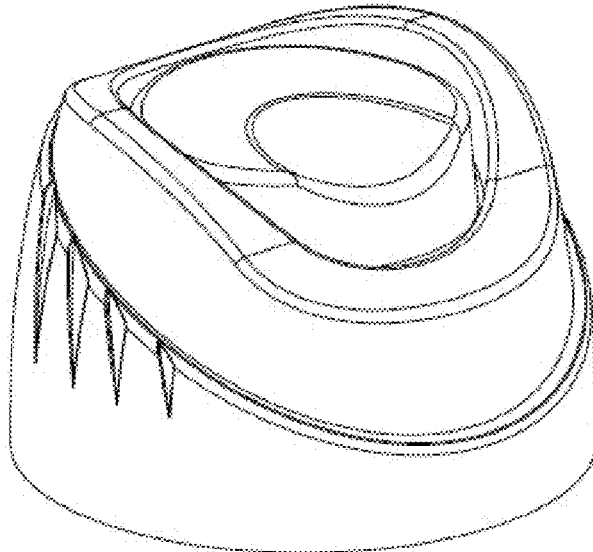
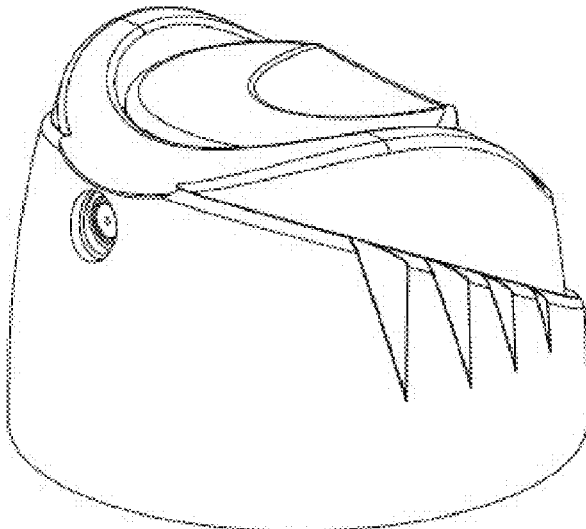
FIG. 4 is a right side view of the spray cap of FIG. 1;

FIG. 5 is a back view of the spray cap of FIG. 1;

FIG. 6 is a top view of the spray cap of FIG. 1; and,

FIG. 7 is a perspective view of the spray cap of FIG. 1.

1 Claim, 4 Drawing Sheets



(56)

References Cited

U.S. PATENT DOCUMENTS

D564,876 S * 3/2008 Nickel D9/448
 D565,947 S * 4/2008 Downey D9/448
 D575,153 S * 8/2008 Caroen D9/448
 D579,342 S * 10/2008 Claughton D9/688
 D580,265 S * 11/2008 Turchi D9/448
 D580,274 S * 11/2008 Abel D9/689
 D580,776 S * 11/2008 Claughton D9/688
 D581,270 S * 11/2008 Gonzalez D9/448
 D599,665 S * 9/2009 Campbell D9/448
 D643,303 S * 8/2011 Bicknell D9/689
 D654,808 S * 2/2012 Gidlow D9/688
 D659,535 S * 5/2012 Gidlow D9/448
 D665,668 S * 8/2012 Cho D9/448
 D666,491 S * 9/2012 Adams B65D 83/205
 D680,432 S * 4/2013 Geier D9/448
 D690,604 S * 10/2013 Seng D9/690
 D696,140 S * 12/2013 Servaire D9/686
 D700,060 S * 2/2014 Trevisan D9/690
 D700,061 S * 2/2014 Trevisan D9/690
 D709,761 S * 7/2014 Sanders D9/445
 D718,625 S * 12/2014 Trevisan D9/448
 9,205,973 B2 * 12/2015 Decea B65D 83/205
 D750,491 S * 3/2016 Campbell D9/448
 D750,492 S * 3/2016 Campbell D9/448
 D766,084 S * 9/2016 Jiang D9/448

D782,309 S * 3/2017 Jiang D9/448
 D798,715 S * 10/2017 Sims D9/448
 D821,202 S * 6/2018 Harris D9/690
 D821,203 S * 6/2018 Prater D9/690
 D829,102 S * 9/2018 Harris D9/690
 D837,650 S * 1/2019 Rognard D9/449
 D840,226 S * 2/2019 Furner D9/445
 D878,918 S * 3/2020 Furner D9/448
 10,577,169 B2 * 3/2020 Bodet B65D 83/205
 10,589,920 B2 * 3/2020 Fore B65D 83/205
 D896,082 S * 9/2020 Ramsuer D9/448
 D896,083 S * 9/2020 Ramsuer D9/448
 D897,203 S * 9/2020 Furner D9/448
 D902,714 S * 11/2020 Furner D9/448
 D911,839 S * 3/2021 Bodet D9/448
 D913,789 S * 3/2021 Ramsuer D9/448
 D914,498 S * 3/2021 Palandri D9/449
 2014/0091493 A1 * 4/2014 Campbell B65D 83/205
 2017/0233171 A1 * 8/2017 Christianson B65D 83/205
 264/242

FOREIGN PATENT DOCUMENTS

RU 00068055 * 10/2008
 RU 00084598 * 3/2013
 RU 00102931 * 4/2017
 WO D064600-002 * 11/2003

* cited by examiner

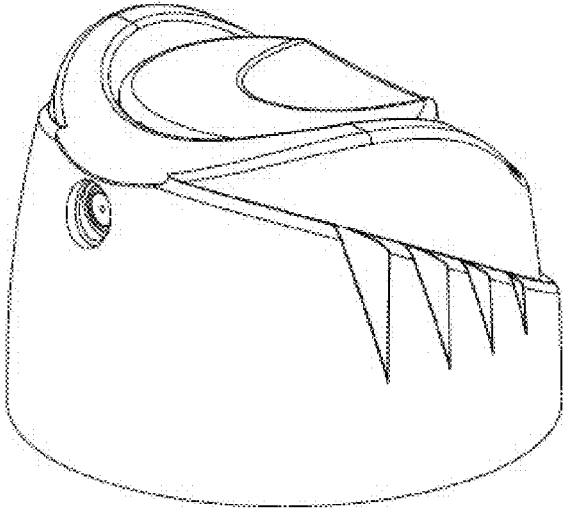


FIG. 1

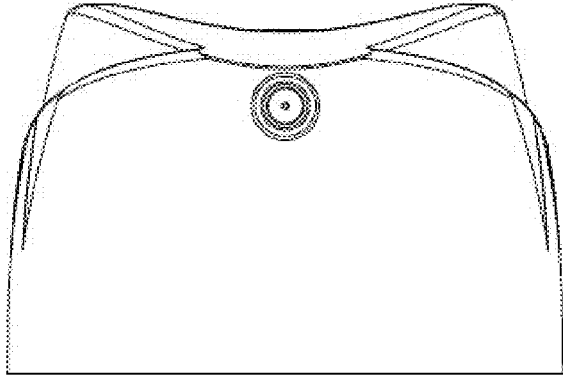


FIG. 2

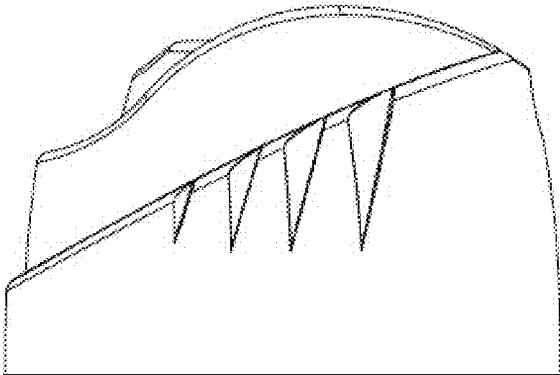


FIG. 3

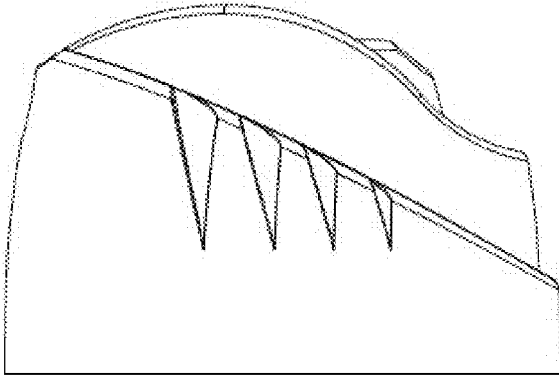


FIG. 4

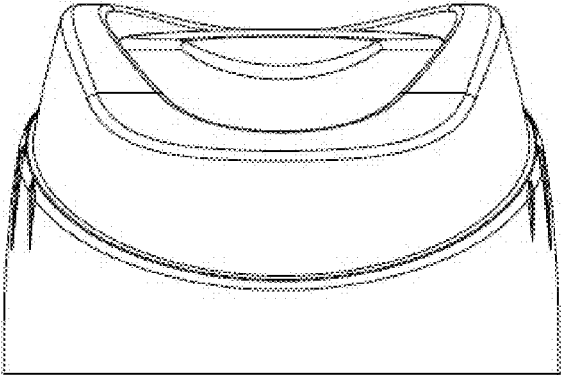


FIG. 5

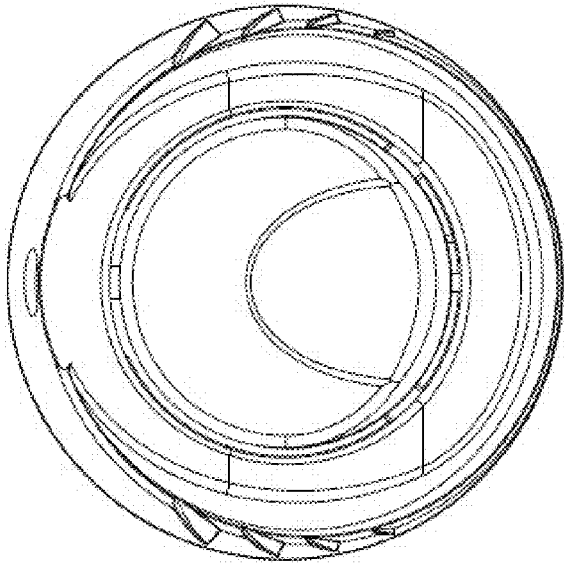


FIG. 6

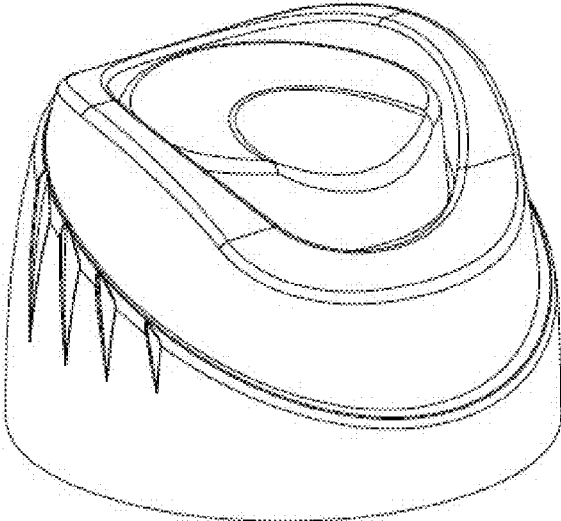


FIG. 7