



US00D553911S

(12) **United States Design Patent**
Bodum

(10) **Patent No.:** **US D553,911 S**

(45) **Date of Patent:** **** Oct. 30, 2007**

(54) **DOUBLE WALL DRINKING GLASS**

(75) Inventor: **Jørgen Bodum**, St. Niklausen (CH)

(73) Assignee: **Pi-Design AG**, Triengen (CH)

(**) Term: **14 Years**

(21) Appl. No.: **29/280,168**

(22) Filed: **May 18, 2007**

(30) **Foreign Application Priority Data**

Nov. 20, 2006 (DK) DA 2006 00308

(51) **LOC (8) Cl.** **07-01**

(52) **U.S. Cl.** **D7/536; D7/509; D7/533**

(58) **Field of Classification Search** D7/396.1,
D7/396.2, 500, 509, 510, 511, 523, 524, 526-528,
D7/530-533, 536, 538, 540, 560, 565, 584;
D9/516, 519, 549, 555, 776, 778; 215/387,
215/DIG. 7; 220/560, 592.17, 703; 229/400,
229/406

See application file for complete search history.

(56) **References Cited**

U.S. PATENT DOCUMENTS

- D69,868 S * 4/1926 Bell D7/528
- D104,524 S * 5/1937 Bottome D11/153
- D108,957 S * 3/1938 Kelly D7/532
- 2,747,387 A * 5/1956 Sweem 215/382
- D227,134 S * 6/1973 Gulotta D7/536
- D283,387 S * 4/1986 Durand D7/523
- D347,763 S * 6/1994 Kleckauskas et al. D7/533

- D468,968 S * 1/2003 Lipson D7/507
- D475,243 S * 6/2003 Trazzi D7/532
- D479,436 S * 9/2003 Ortiz Gispert D7/509
- D482,237 S * 11/2003 Wellner D7/509
- D484,061 S * 12/2003 Quinn D9/557
- D486,695 S * 2/2004 Chuang D7/532

* cited by examiner

Primary Examiner—Philip S. Hyder

Assistant Examiner—Cynthia Underwood

(74) *Attorney, Agent, or Firm*—Cowan, Liebowitz & Latman, PC

(57) **CLAIM**

The ornamental design for a double wall drinking glass, as shown and described.

DESCRIPTION

FIG. 1 is a perspective view of a first embodiment of the double wall drinking glass showing my design thereof;

FIG. 2 is a front view thereof;

FIG. 3 is a back view thereof;

FIG. 4 is a right side view thereof;

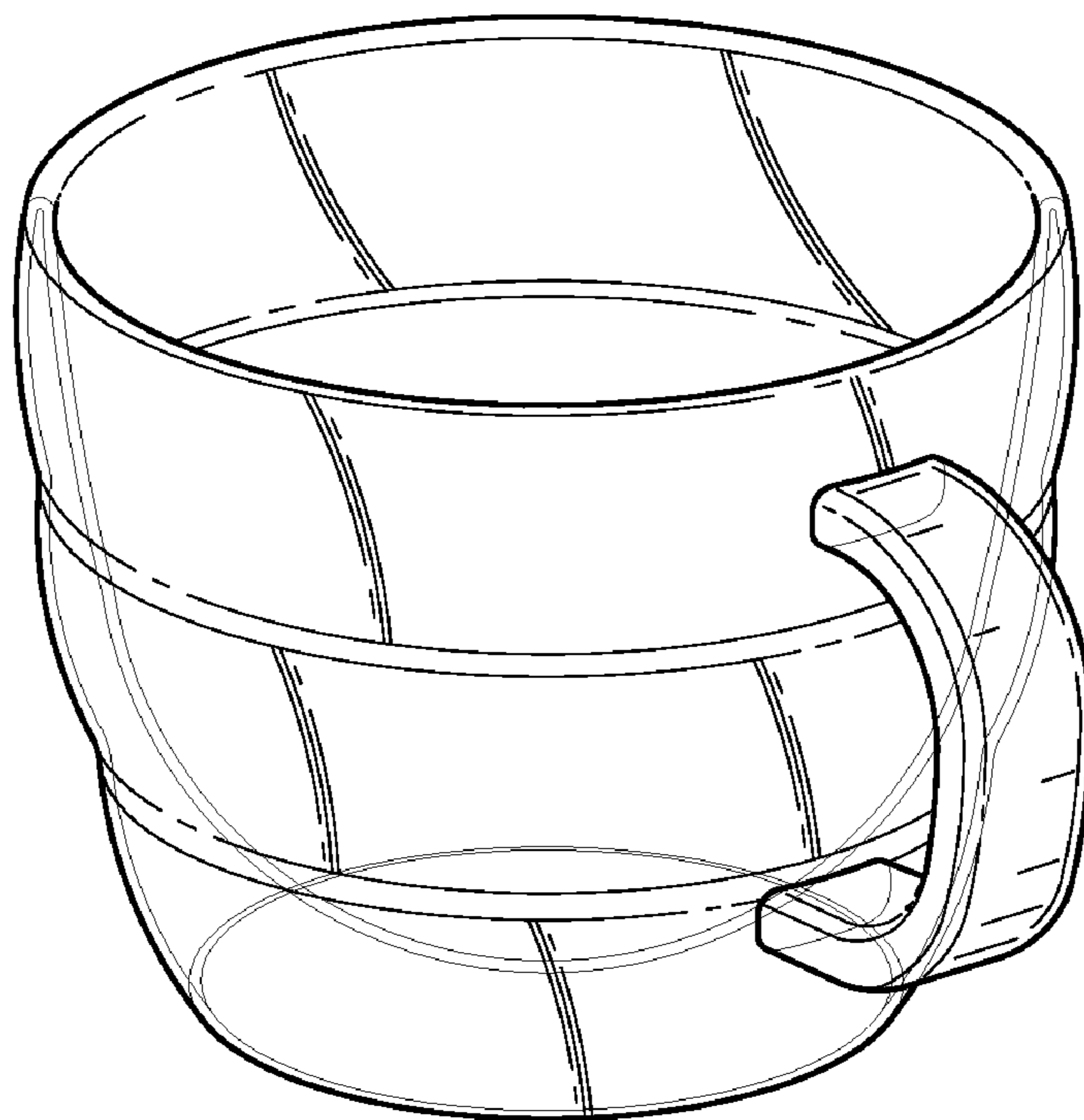
FIG. 5 is a left side view thereof;

FIG. 6 is a top view thereof;

FIG. 7 is a bottom view thereof; and,

FIG. 8 is a cross-sectional view thereof taken along line 8—8 of FIG. 6.

1 Claim, 8 Drawing Sheets



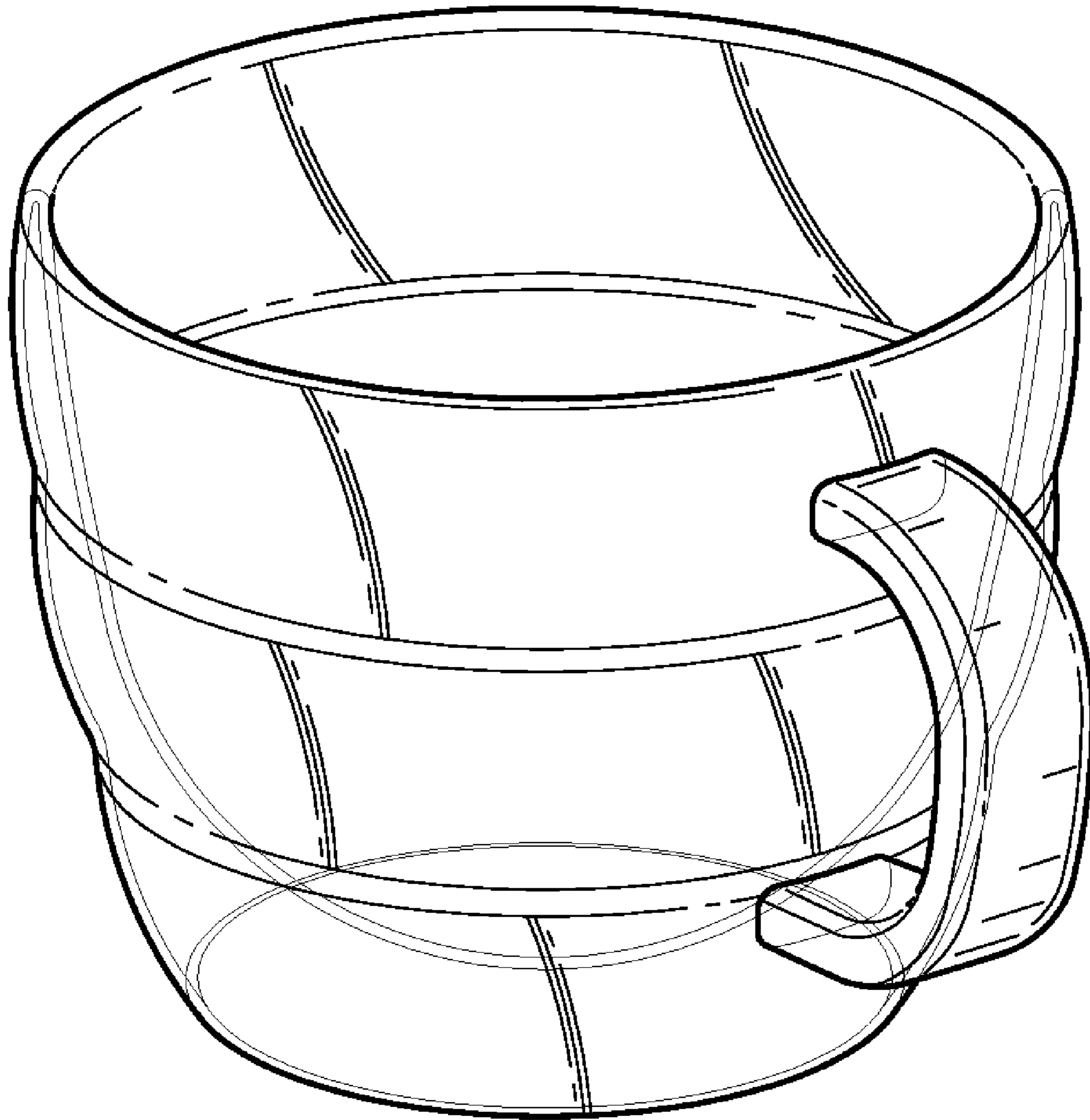


FIG. 1

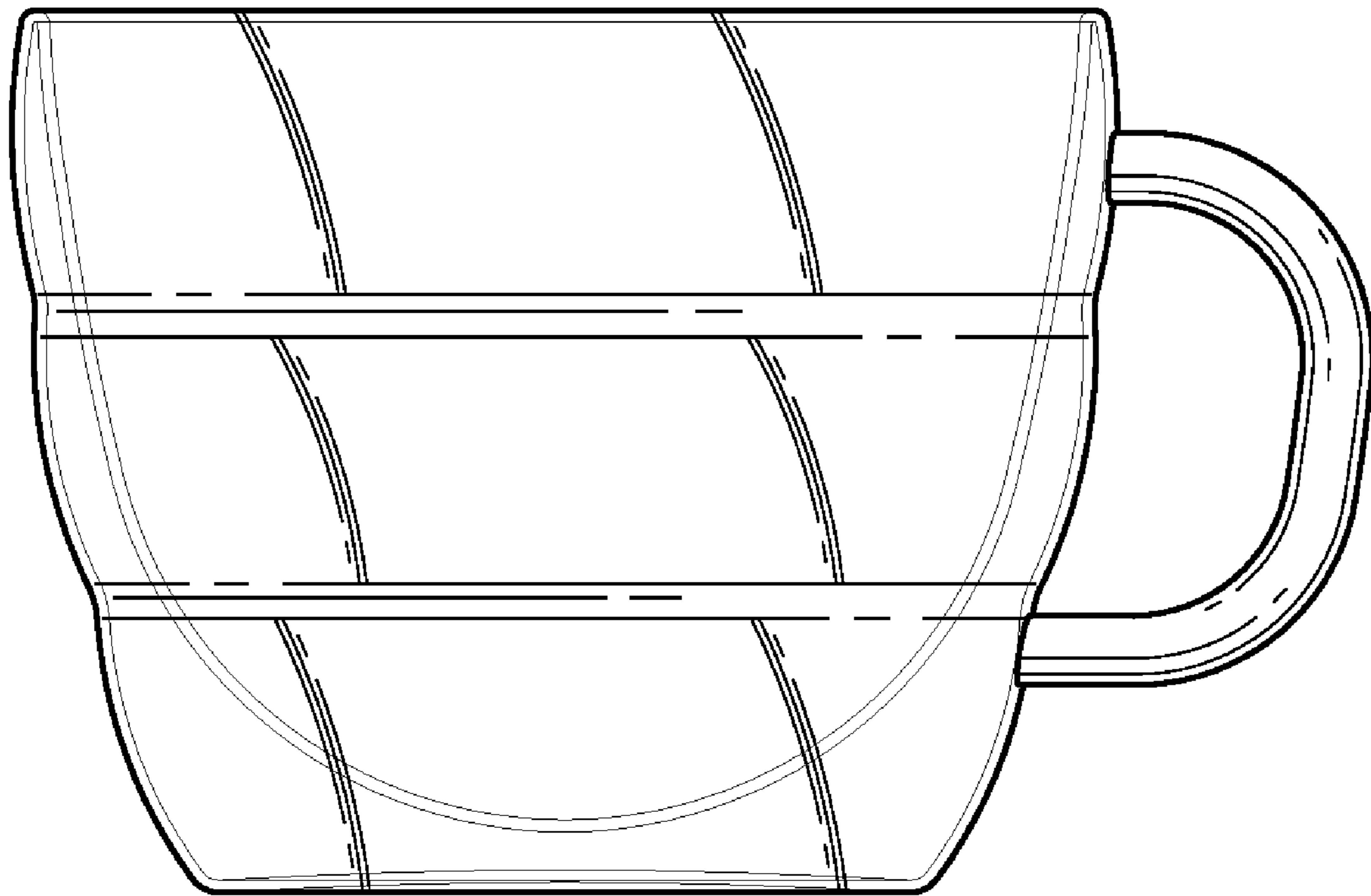


FIG. 2

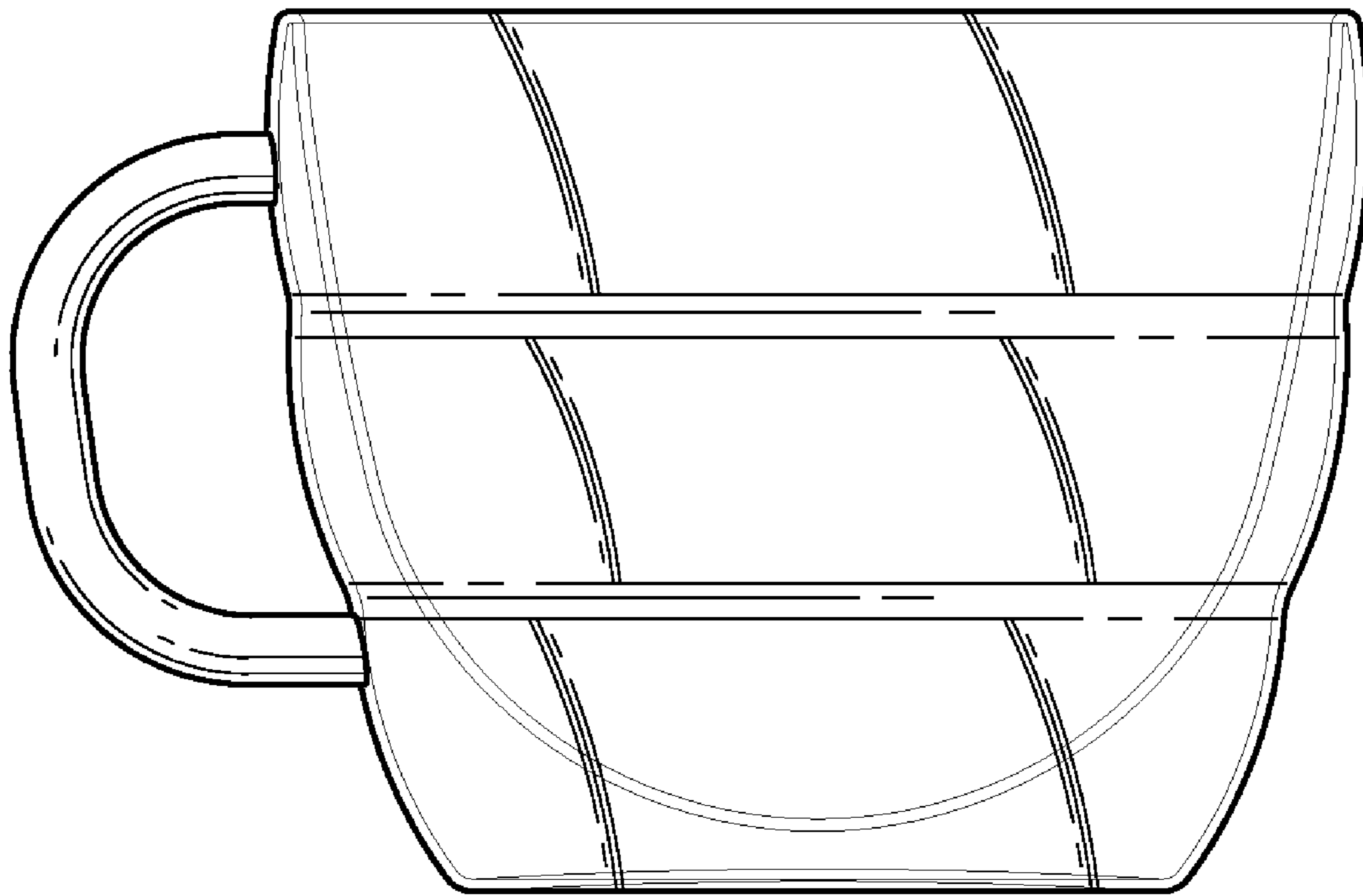


FIG. 3

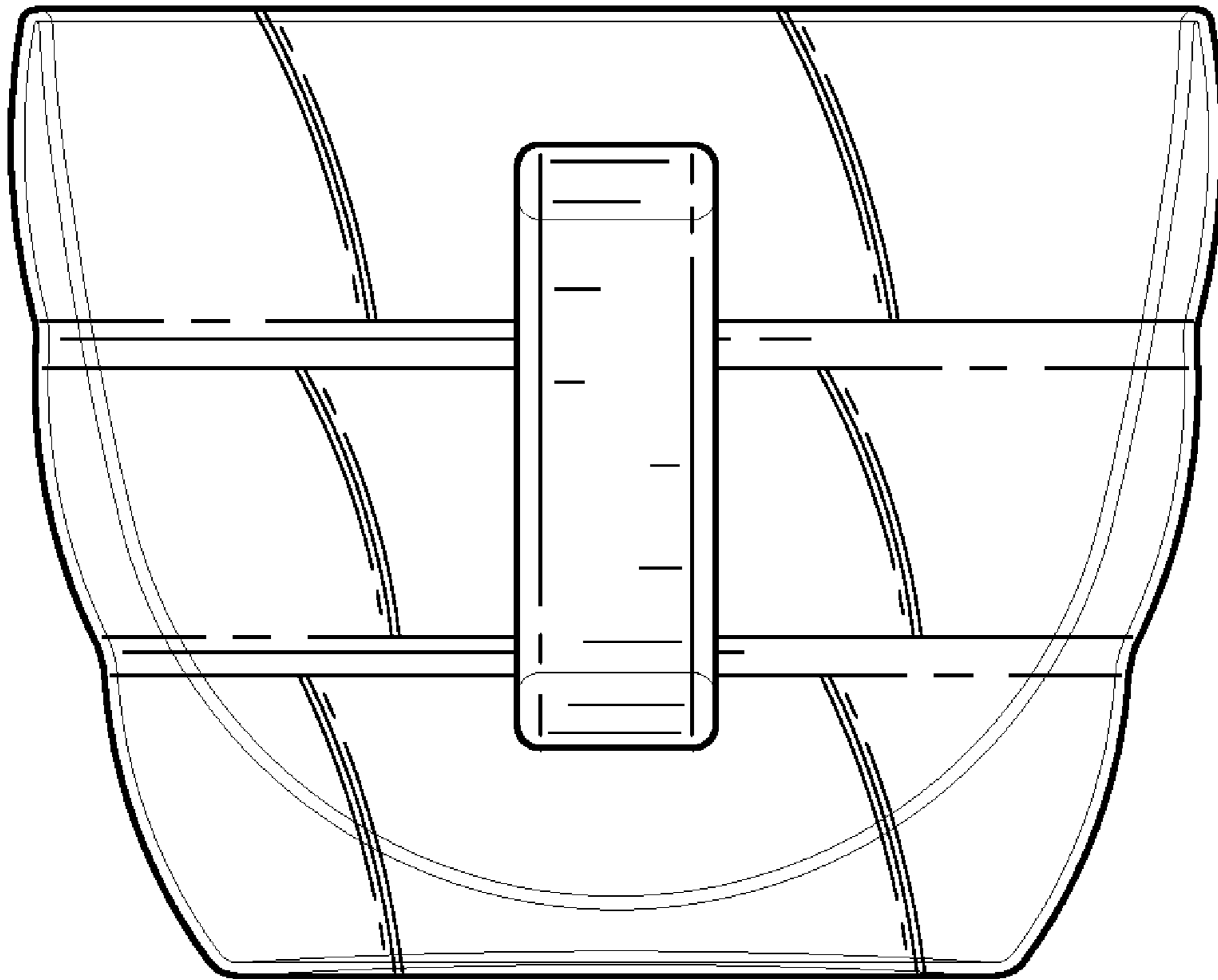


FIG. 4

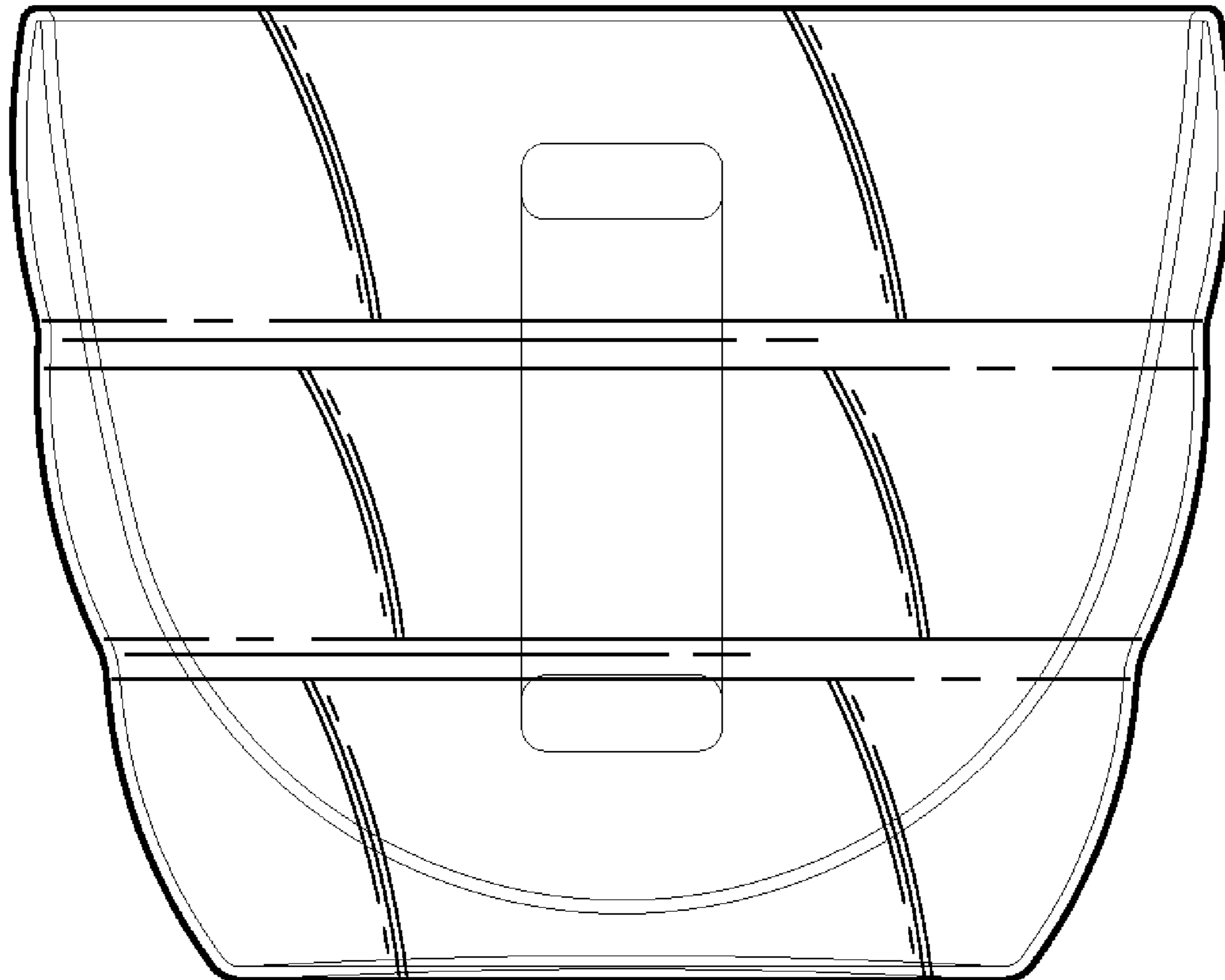


FIG. 5

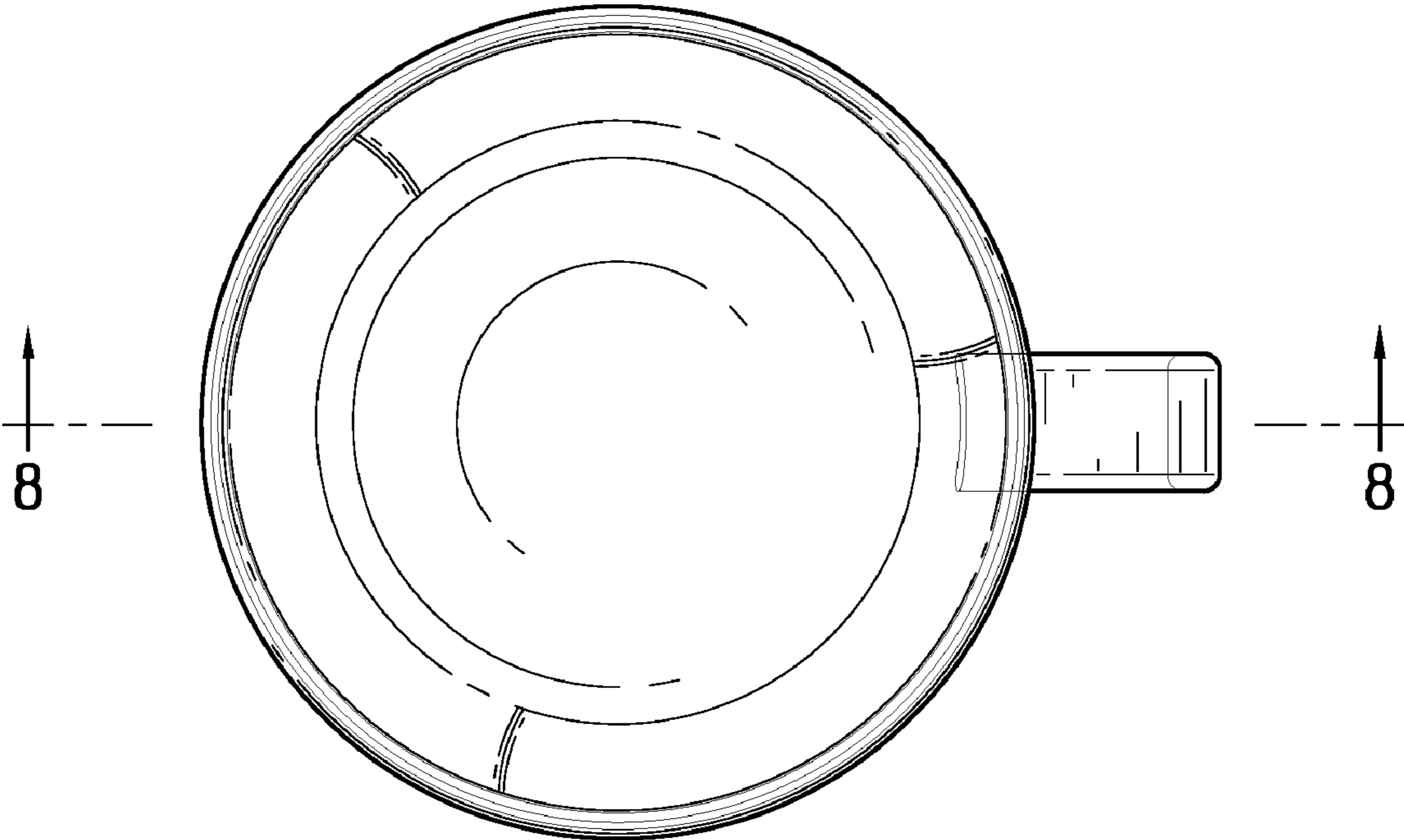


FIG. 6

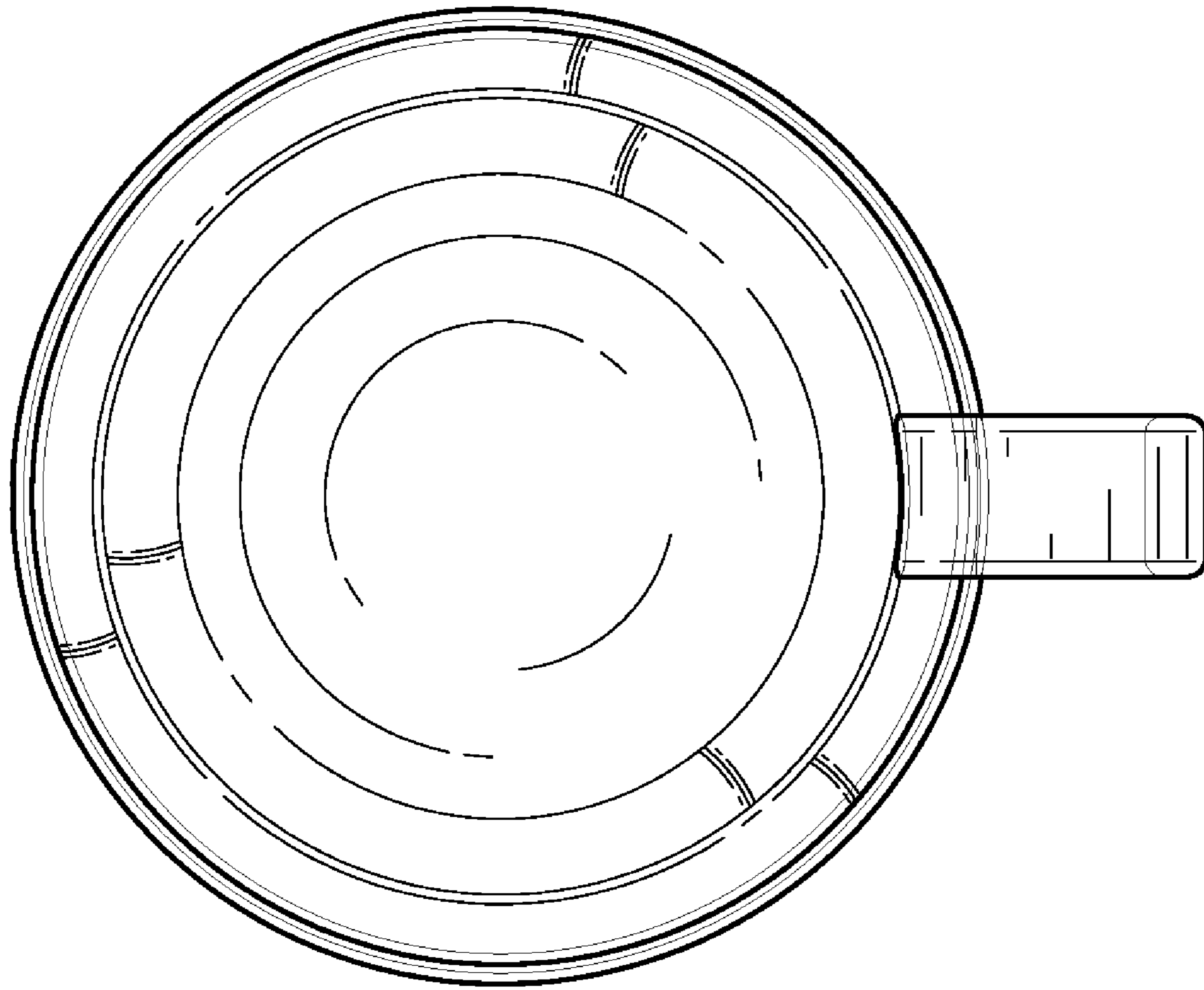


FIG. 7

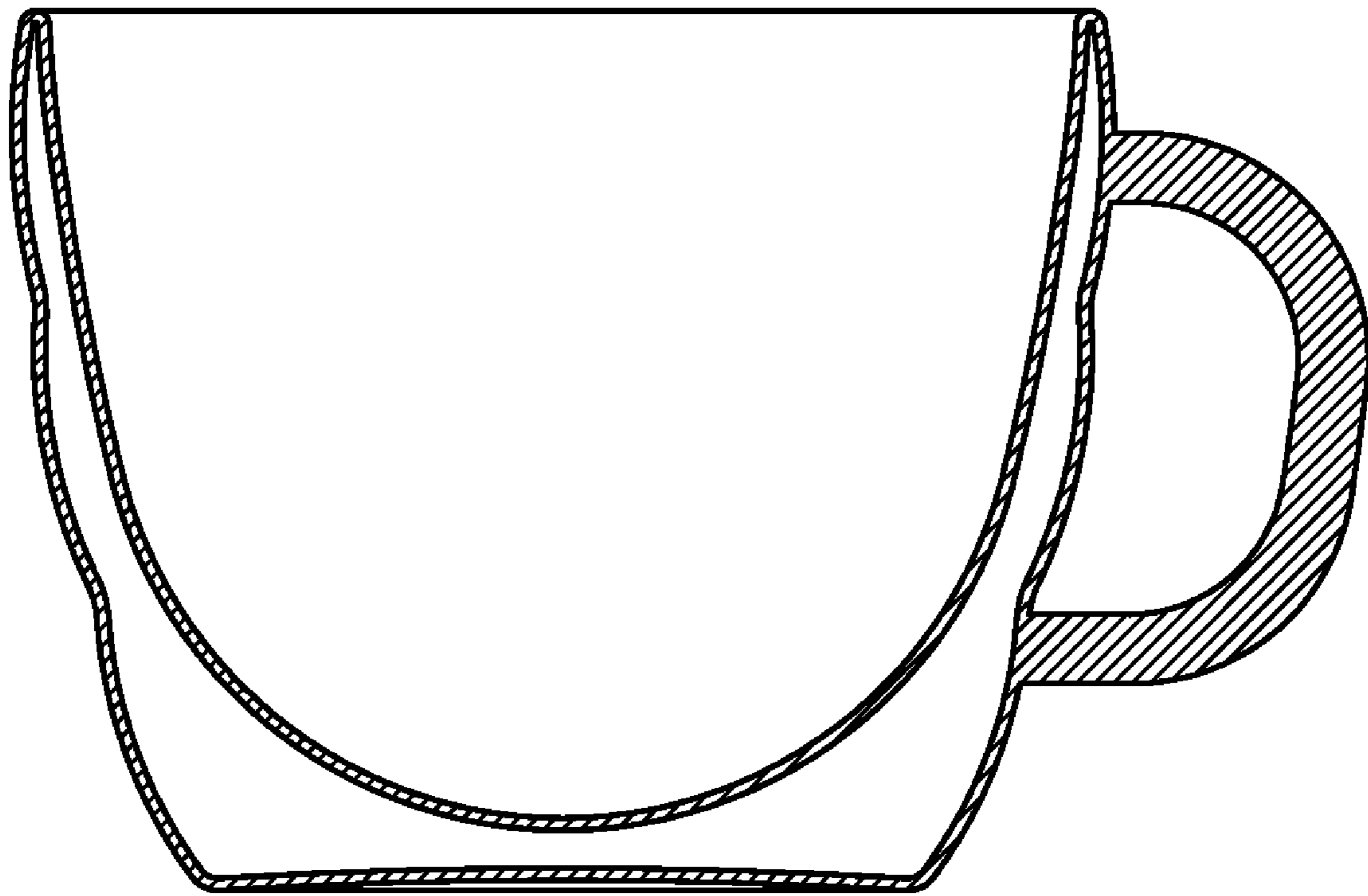


FIG. 8