



(12) **United States Design Patent**
Enger et al.

(10) **Patent No.:** **US D1,043,313 S**
(45) **Date of Patent:** **** Sep. 24, 2024**

- (54) **CABLE LOCKOUT DEVICE**
- (71) Applicant: **Brady Worldwide, Inc.**, Milwaukee, WI (US)
- (72) Inventors: **Andrew N. Enger**, Muskego, WI (US); **Gene Gladkov**, Muskego, WI (US)
- (73) Assignee: **Brady Worldwide, Inc.**, Milwaukee, WI (US)
- (**) Term: **15 Years**
- (21) Appl. No.: **29/831,349**
- (22) Filed: **Mar. 18, 2022**

7,293,438	B2	11/2007	Benda	
D557,105	S *	12/2007	Lu	D8/331
9,388,606	B2	7/2016	Garthe et al.	
10,352,068	B2	7/2019	Hollis	
D866,481	S *	11/2019	DeCosta	D13/155
2014/0283339	A1 *	9/2014	Gallagher	A63B 21/0557
				24/115 K
2022/0316240	A1 *	10/2022	Enger	F16G 11/14

- Related U.S. Application Data**
- (63) Continuation of application No. 17/696,449, filed on Mar. 16, 2022.
 - (51) **LOC (14) Cl.** **08-05**
 - (52) **U.S. Cl.**
USPC **D8/44**
 - (58) **Field of Classification Search**
USPC ... D8/44, 330-334, 339-346, 349, 354-356, D8/359, 383, 51; D13/155, 178
CPC E05B 67/383; E05B 67/003; F16G 11/14; F16G 11/106
See application file for complete search history.

- (56) **References Cited**
- U.S. PATENT DOCUMENTS
- | | | | | |
|-----------|-----|---------|--------------|-------------|
| D297,399 | S * | 8/1988 | Furutsu | D8/51 |
| 5,823,020 | A * | 10/1998 | Benda | E05B 67/003 |
| | | | | 24/132 R |
| D412,820 | S * | 8/1999 | Lee | D8/44 |
| D525,109 | S * | 7/2006 | Watson | D8/330 |
| 7,272,962 | B2 | 9/2007 | Benda et al. | |

OTHER PUBLICATIONS

Brady, posted Oct. 19, 2022 [online], [retrieved May 13, 2024]. Retrieved from internet, <https://www.youtube.com/watch?v=WmLXYXN-7hw&list=PLjYCOLFC340TbjePy-aLFilqQK6yhwlpF&index=5> (Year: 2022).*

* cited by examiner

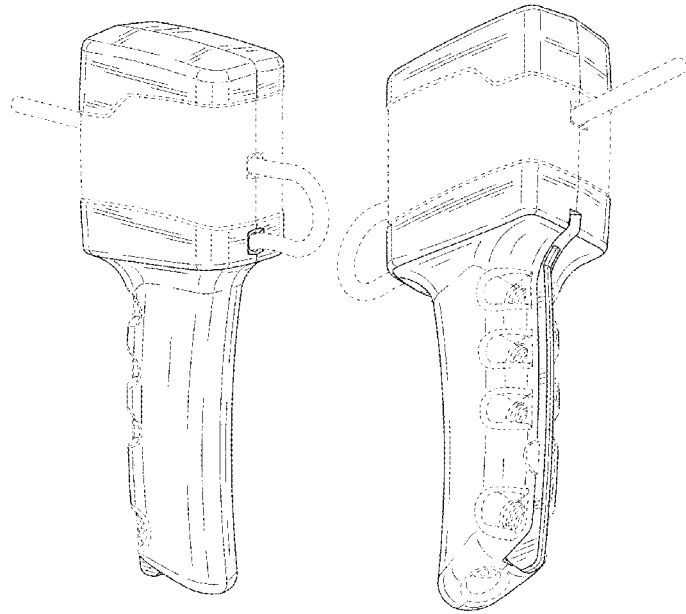
Primary Examiner — David G Muller
Assistant Examiner — Christina Gabrielle Cosden
(74) *Attorney, Agent, or Firm* — Quarles & Brady LLP

- (57) **CLAIM**
- The ornamental design for a cable lockout device, as shown and described.

DESCRIPTION

FIG. 1 is a top, front, and right side perspective view of a cable lockout device in accordance with the design; FIG. 2 is a bottom, rear, and left side perspective view thereof; FIG. 3 is a front elevational view thereof; FIG. 4 is a rear elevational view thereof; FIG. 5 is a right side elevational view thereof; FIG. 6 is a left side elevational view thereof; FIG. 7 is a top plan view thereof; and, FIG. 8 is a bottom plan view thereof. The dashed lines form no part of the claimed design.

1 Claim, 6 Drawing Sheets



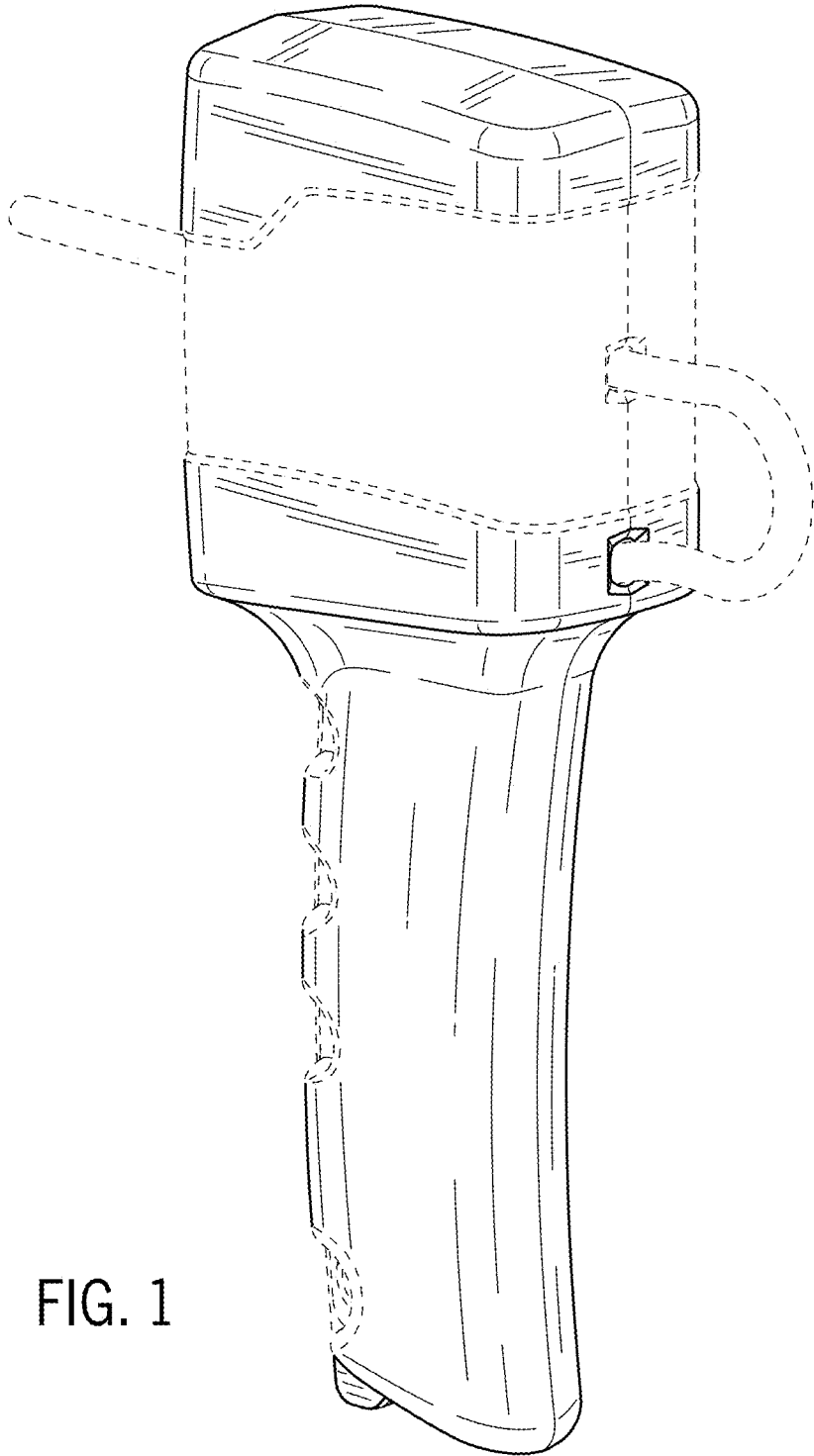


FIG. 1

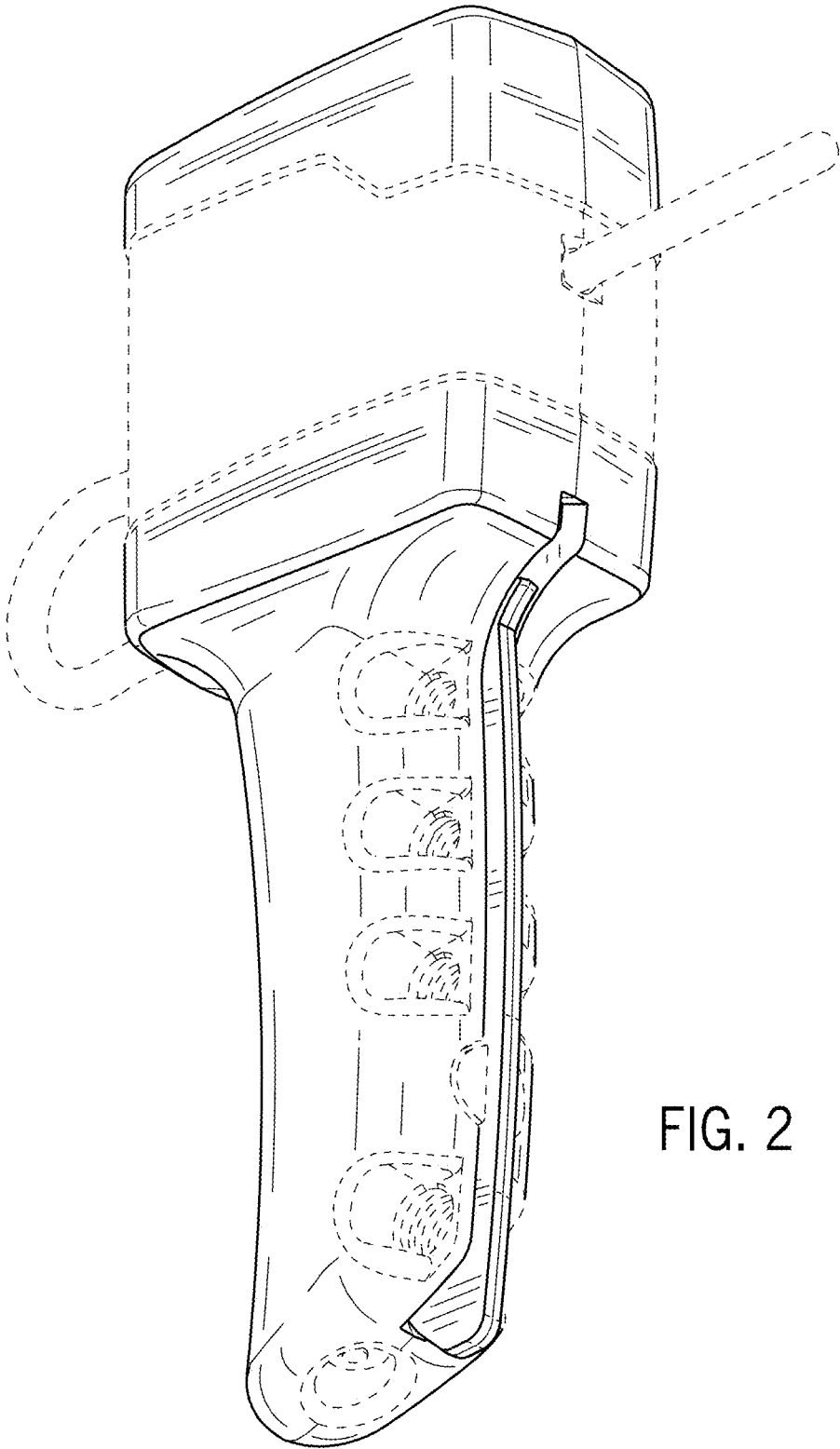


FIG. 2

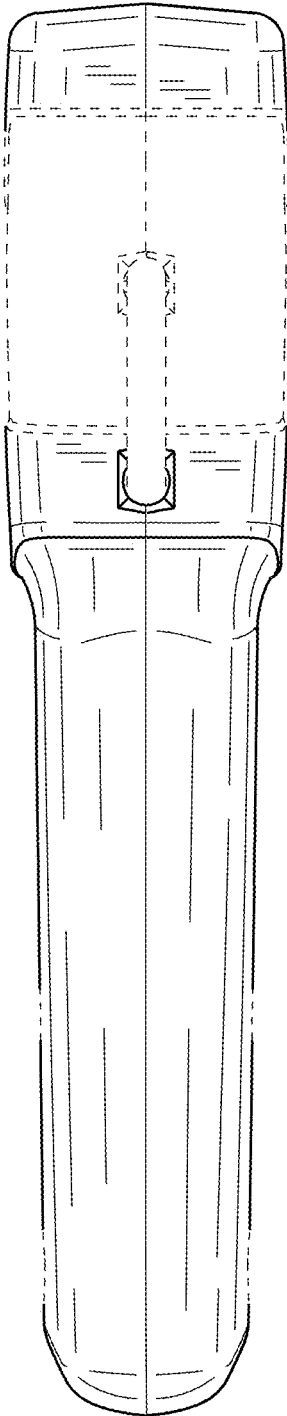


FIG. 3

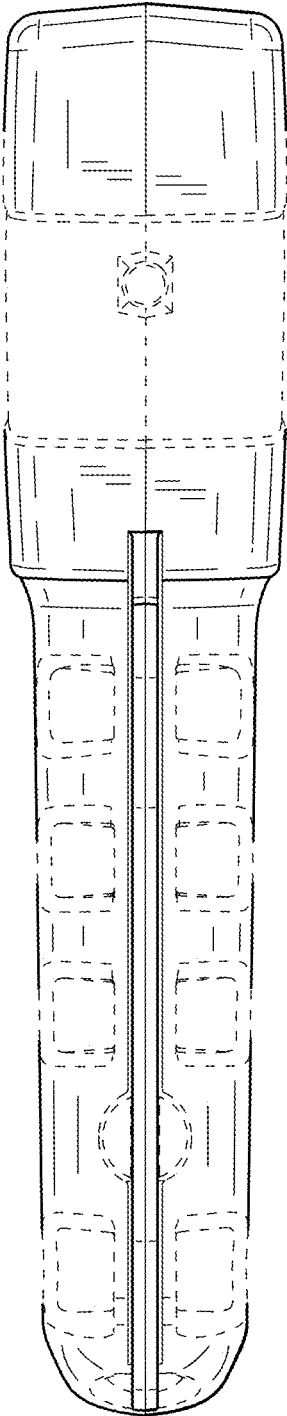


FIG. 4

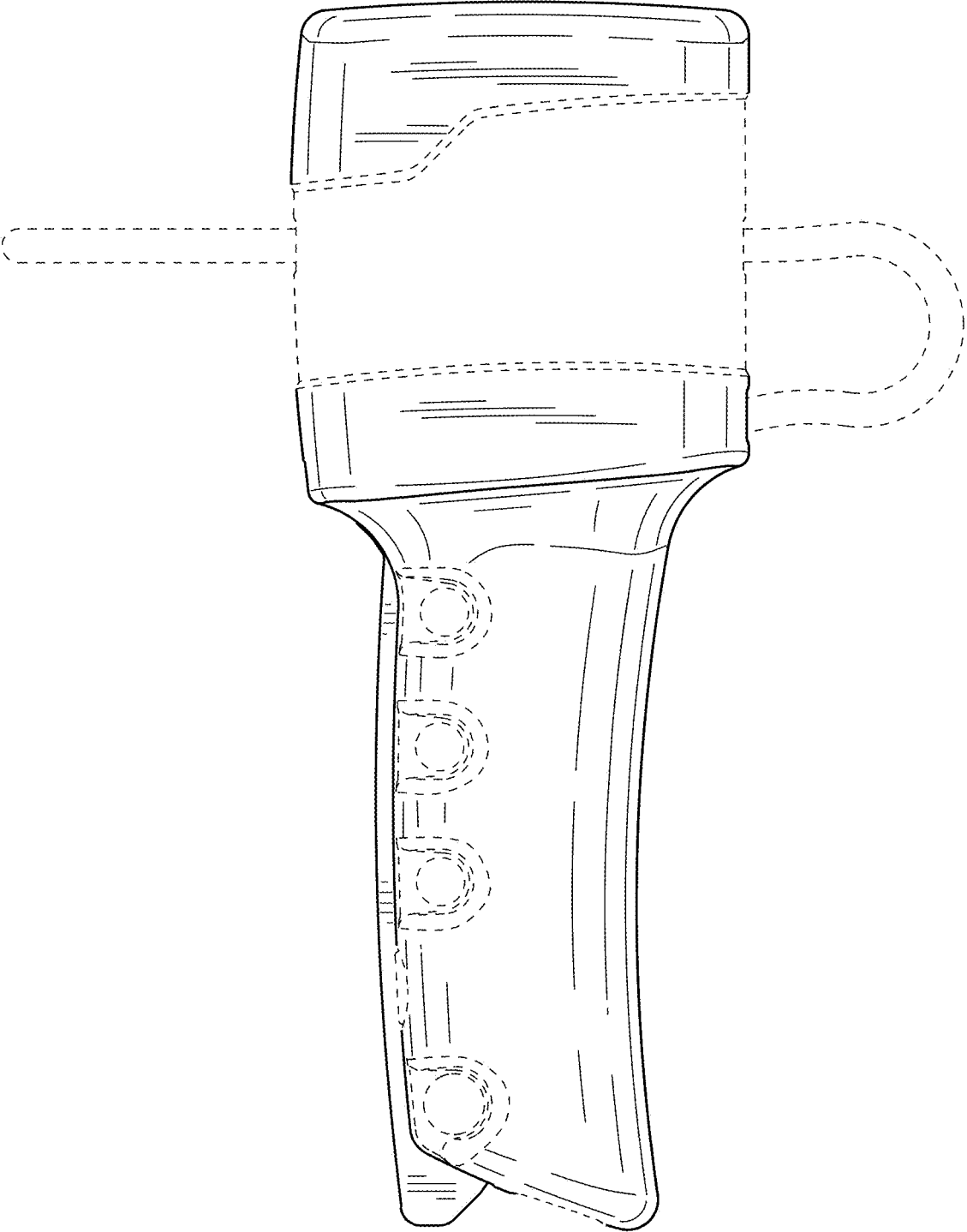


FIG. 5

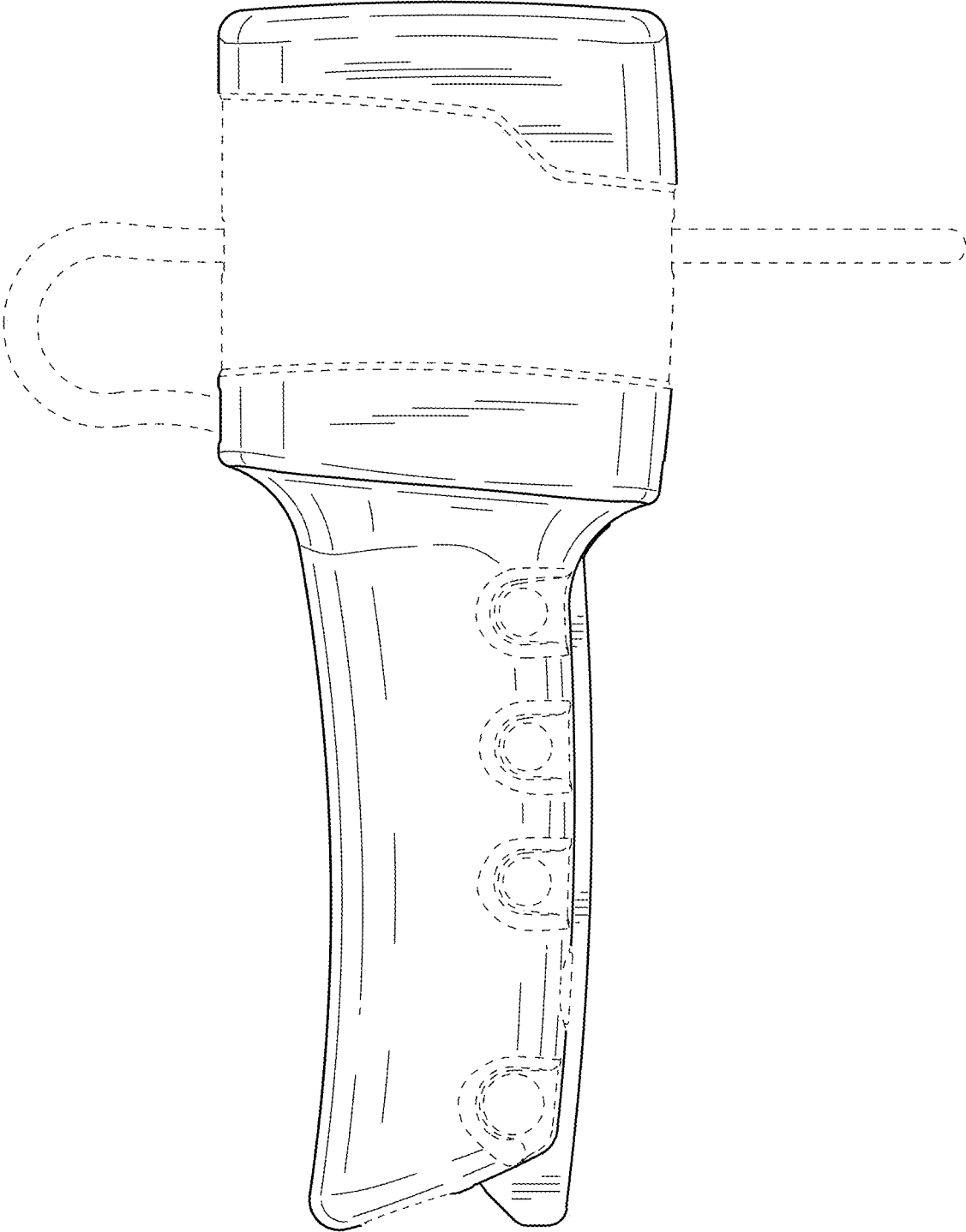


FIG. 6

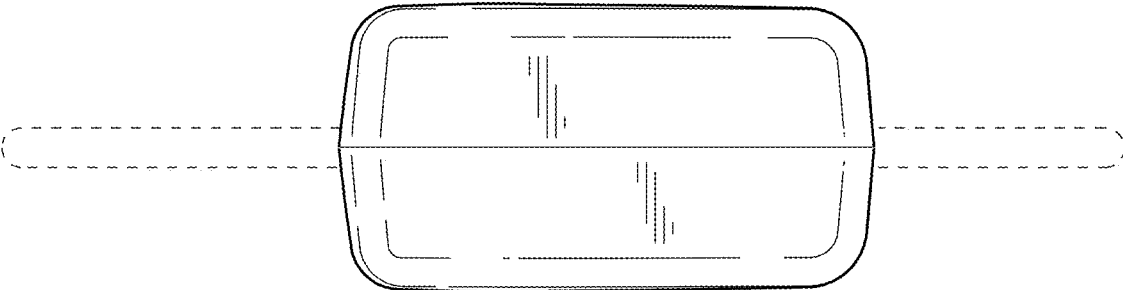


FIG. 7

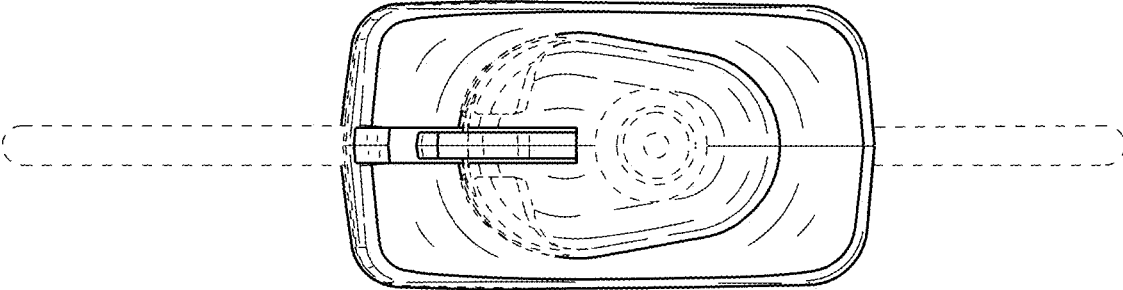


FIG. 8