



US00D834378S

(12) **United States Design Patent**  
**Neumann et al.**

(10) **Patent No.:** **US D834,378 S**

(45) **Date of Patent:** **\*\* Nov. 27, 2018**

- (54) **FOOD STORAGE BOX INSERT**
- (71) Applicant: **BOOLABOX, INC.**, Neward, DE (US)
- (72) Inventors: **Maia M. Neumann**, Cos Cob, CT (US); **Daniela Paone Devitt**, Doylestown, PA (US)
- (73) Assignee: **BOOLABOX, INC.**, Newark, DE (US)
- (\*\*) Term: **15 Years**
- (21) Appl. No.: **29/631,235**
- (22) Filed: **Dec. 28, 2017**

3,799,386	A *	3/1974	Madalin	.....	B65D 25/2897
					206/564
3,850,333	A *	11/1974	Reichert	.....	A45C 11/20
					206/545
4,013,798	A *	3/1977	Goltsos	.....	B65D 81/3453
					219/729
4,225,052	A	9/1980	Tector et al.	.....	220/22
4,346,813	A	8/1982	Cho	.....	220/22
4,545,487	A	10/1985	Asmus	.....	206/508
4,969,558	A	11/1990	Fisher	.....	206/549
5,027,972	A	7/1991	Bartholomew	.....	220/526
D318,985	S *	8/1991	Szablak	.....	D30/133
D320,909	S *	10/1991	Szablak	.....	D30/133
5,167,973	A *	12/1992	Snyder	.....	B65D 1/36
					206/222
5,295,475	A	3/1994	Kaneko	.....	126/263
5,337,913	A	8/1994	Fukuda	.....	220/326

(Continued)

**Related U.S. Application Data**

- (63) Continuation of application No. 12/946,996, filed on Nov. 16, 2010.
- (51) **LOC (11) Cl.** ..... **07-07**
- (52) **U.S. Cl.**  
USPC ..... **D7/629**
- (58) **Field of Classification Search**  
USPC ..... D7/629, 601, 602, 630, 709, 701-708;  
D3/201-203.8, 273, 274  
CPC ..... A45C 11/20; A01K 5/0014; A01K 7/00;  
B65D 1/24; B65D 1/00; B65D 1/36;  
B65D 1/34; B65D 81/3813; B65D  
81/3834; B65D 5/2047; B65D 25/2897;  
B65D 25/04; A47G 19/02; A47G 23/06;  
B47B 23/002  
See application file for complete search history.

Primary Examiner — Terry A Wallace

(74) *Attorney, Agent, or Firm* — Norton Rose Fulbright US LLP

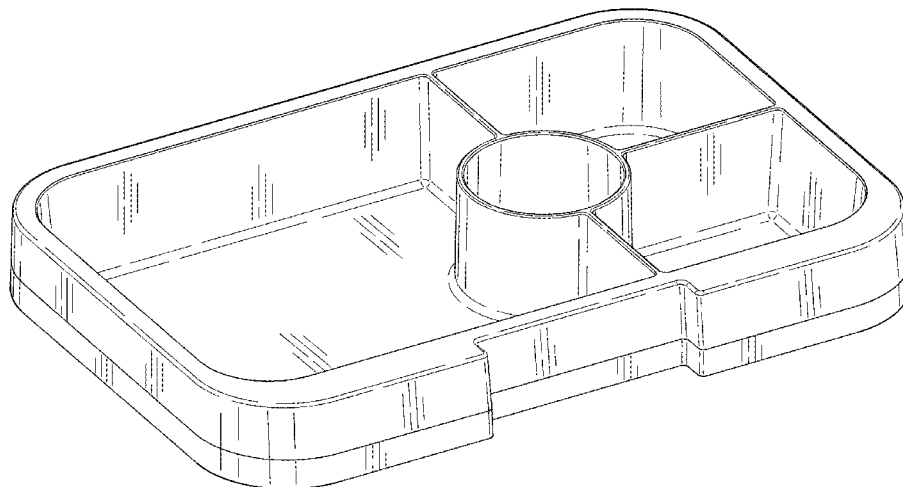
(57) **CLAIM**

The ornamental design for a food storage box insert, as shown and described.

**DESCRIPTION**

FIG. 1 is a perspective view of the food storage box insert. FIG. 2 is a right side view of the food storage box insert. FIG. 3 is a left side view of the food storage box insert. FIG. 4 is a front view of the food storage box insert. FIG. 5 is a back view of the food storage box insert. FIG. 6 is a top view of the food storage box insert. FIG. 7 is a bottom view of the food storage box insert. FIG. 8 is an alternative perspective bottom view of the food storage box insert; and, FIG. 9 is a perspective view illustrating an exemplary food storage box for use with the food storage box insert. The broken lines are for illustrative purposes only and form no part of the claimed design.

**1 Claim, 7 Drawing Sheets**



- (56) **References Cited**  
U.S. PATENT DOCUMENTS  
1,641,650 A 9/1927 Walker ..... 132/315  
2,096,825 A 10/1937 Roman ..... 226/47  
2,629,042 A 2/1953 Burleyson ..... 219/44  
3,016,129 A 1/1962 King ..... 206/4  
3,025,974 A 3/1962 Peterson ..... 213/40 R

(56)

**References Cited**

## U.S. PATENT DOCUMENTS

5,368,183	A	11/1994	Singer	220/528
D357,034	S *	4/1995	King	D19/77
5,427,265	A	6/1995	Cautereels et al.	220/318
5,501,338	A	3/1996	Preston	206/545
5,671,846	A *	9/1997	Frank	A45C 11/20 190/111
5,887,749	A *	3/1999	Schommer	A01K 5/0114 206/564
6,131,760	A	10/2000	Huang	220/526
D440,118	S *	4/2001	Claffy	D7/553.1
6,257,403	B1	7/2001	Feldmeier	206/217
6,296,488	B1	10/2001	Brenkus et al.	434/127
7,326,428	B2	2/2008	Weir	426/120
D600,504	S *	9/2009	Clark	D7/553.5
8,328,034	B2 *	12/2012	Miros	A45C 11/20 220/23.86
8,376,177	B2 *	2/2013	Castner	A45C 11/20 206/561
2003/0006156	A1 *	1/2003	McCracken	B44C 7/02 206/373
2006/0201950	A1 *	9/2006	Liu	B65D 1/24 220/526
2009/0186132	A1	7/2009	Mangino et al.	426/120
2010/0224531	A1 *	9/2010	Claffy	A47G 23/06 206/561
2011/0114526	A1	5/2011	Neumann et al.	206/459.5

\* cited by examiner

*Fig. 1*

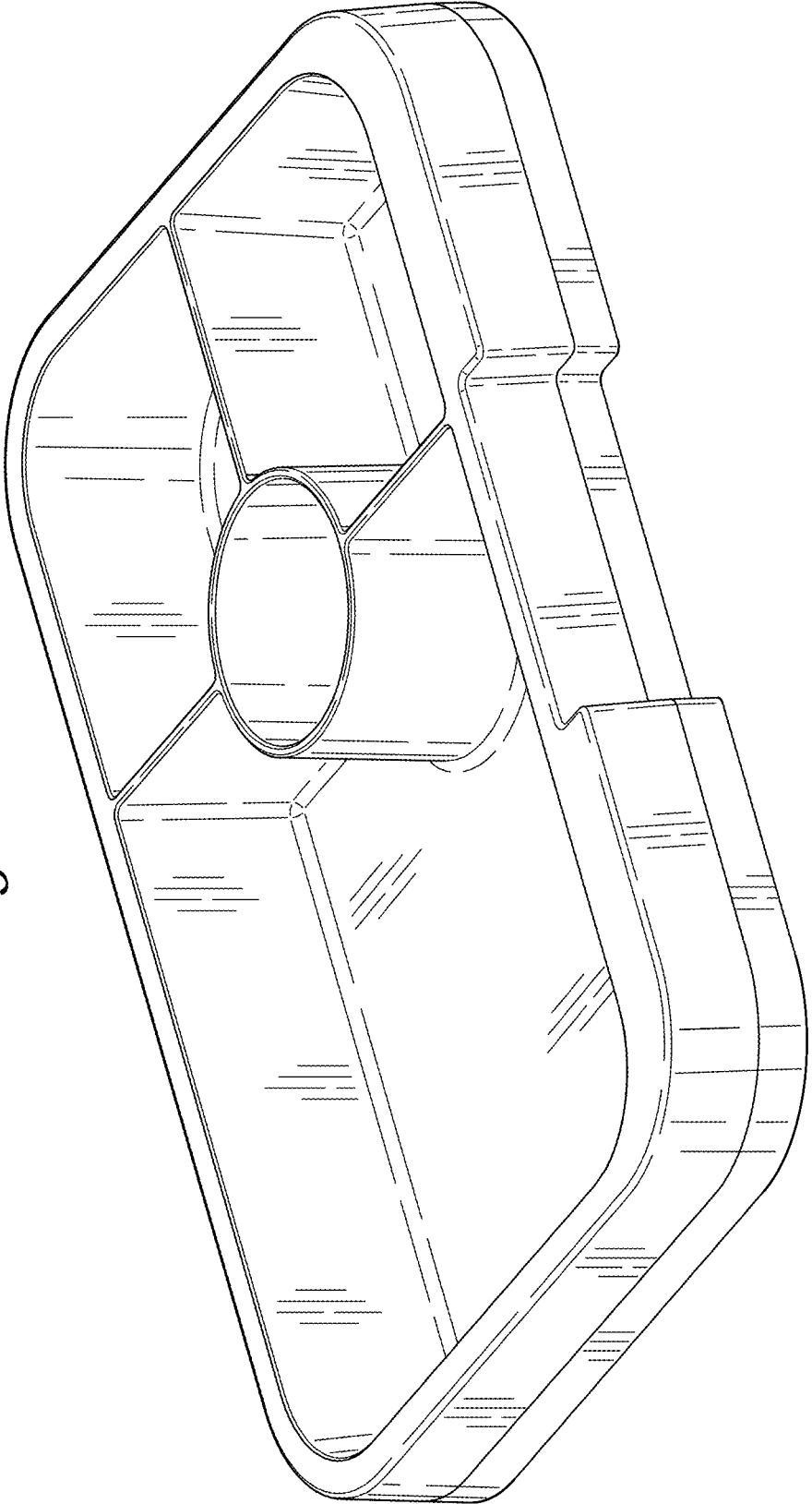


Fig. 2

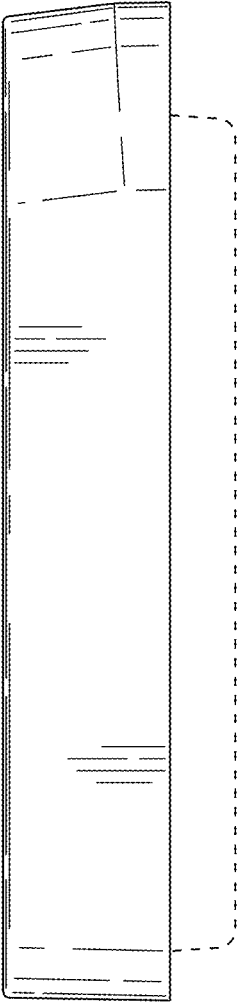


Fig. 3

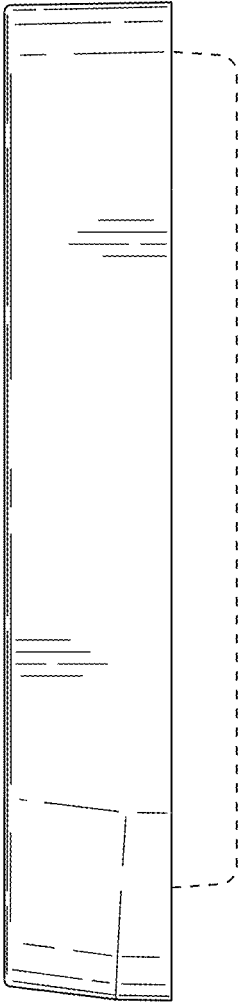


Fig. 4

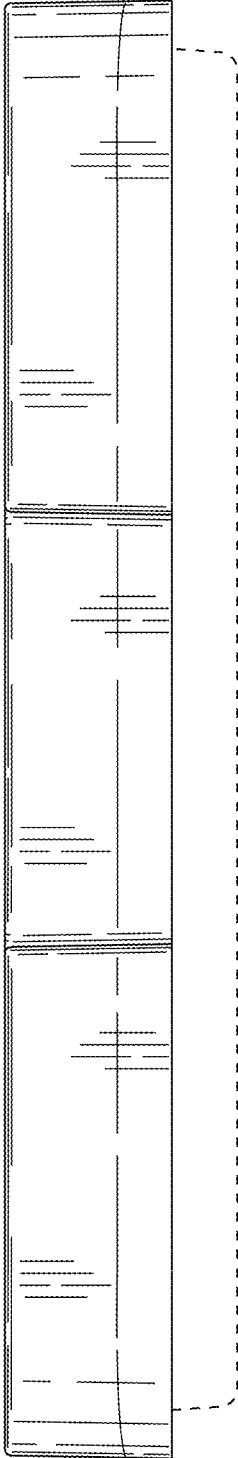


Fig. 5

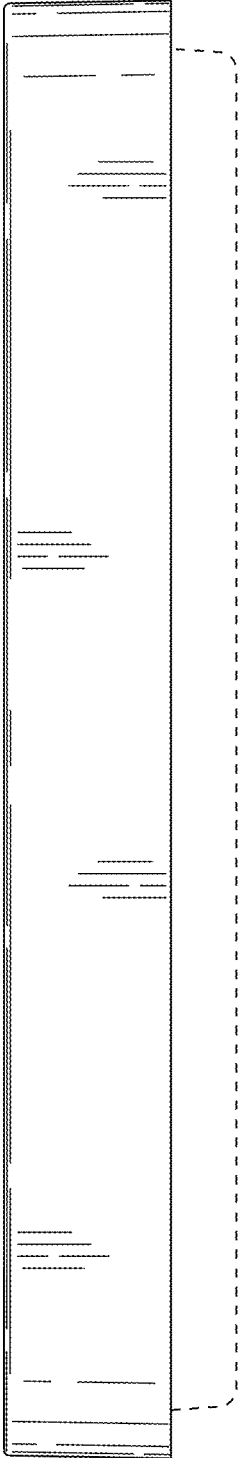
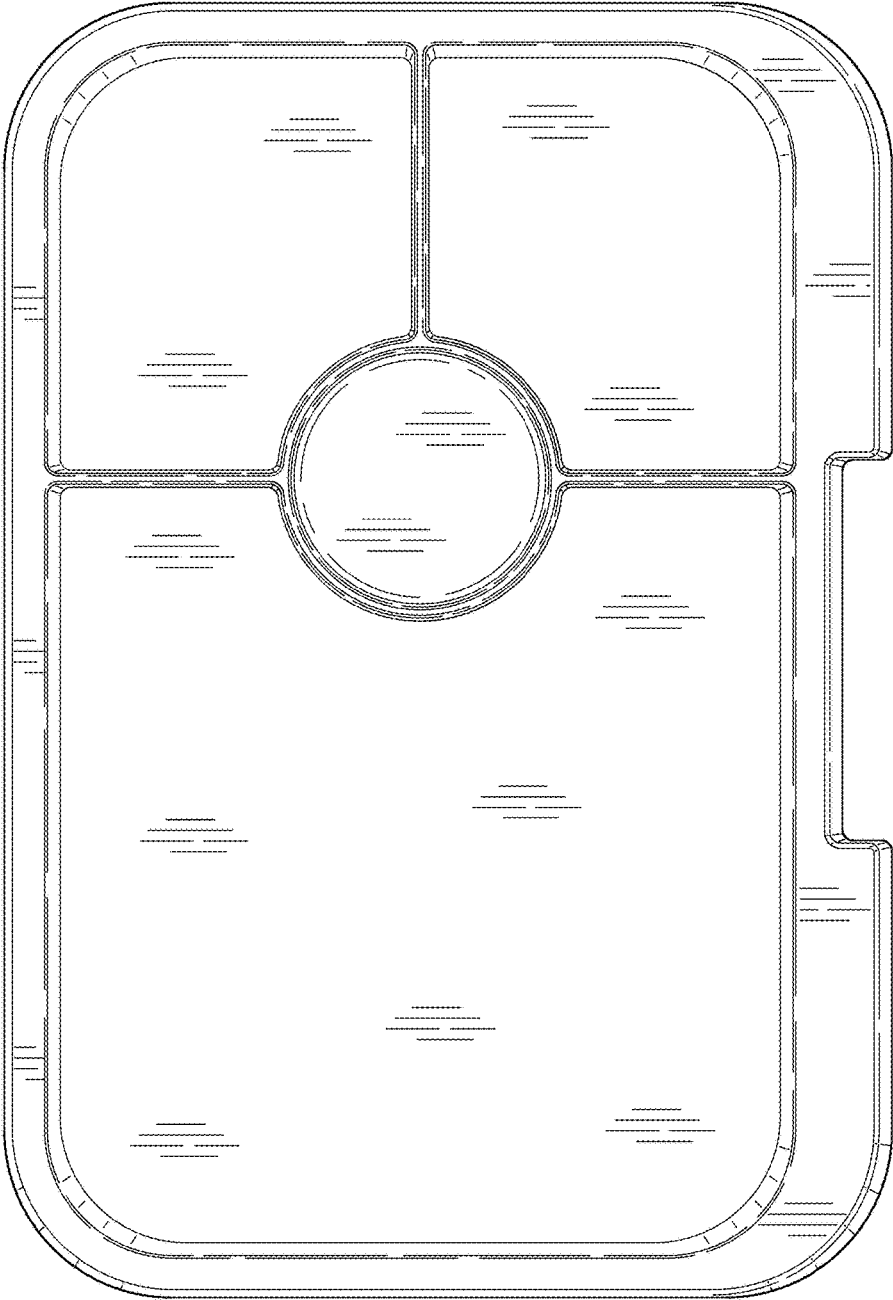


Fig. 6



*Fig. 7*

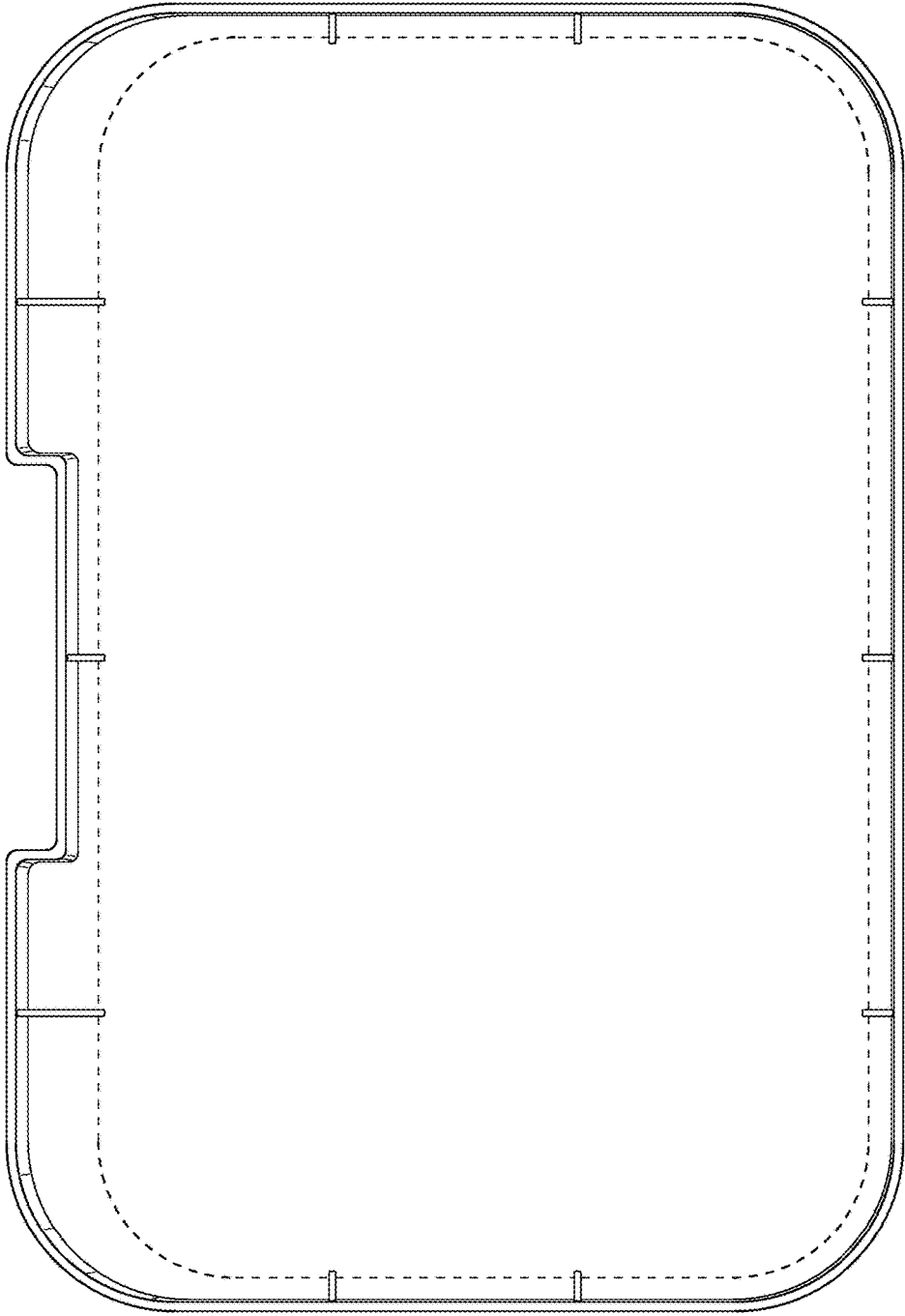


Fig. 8

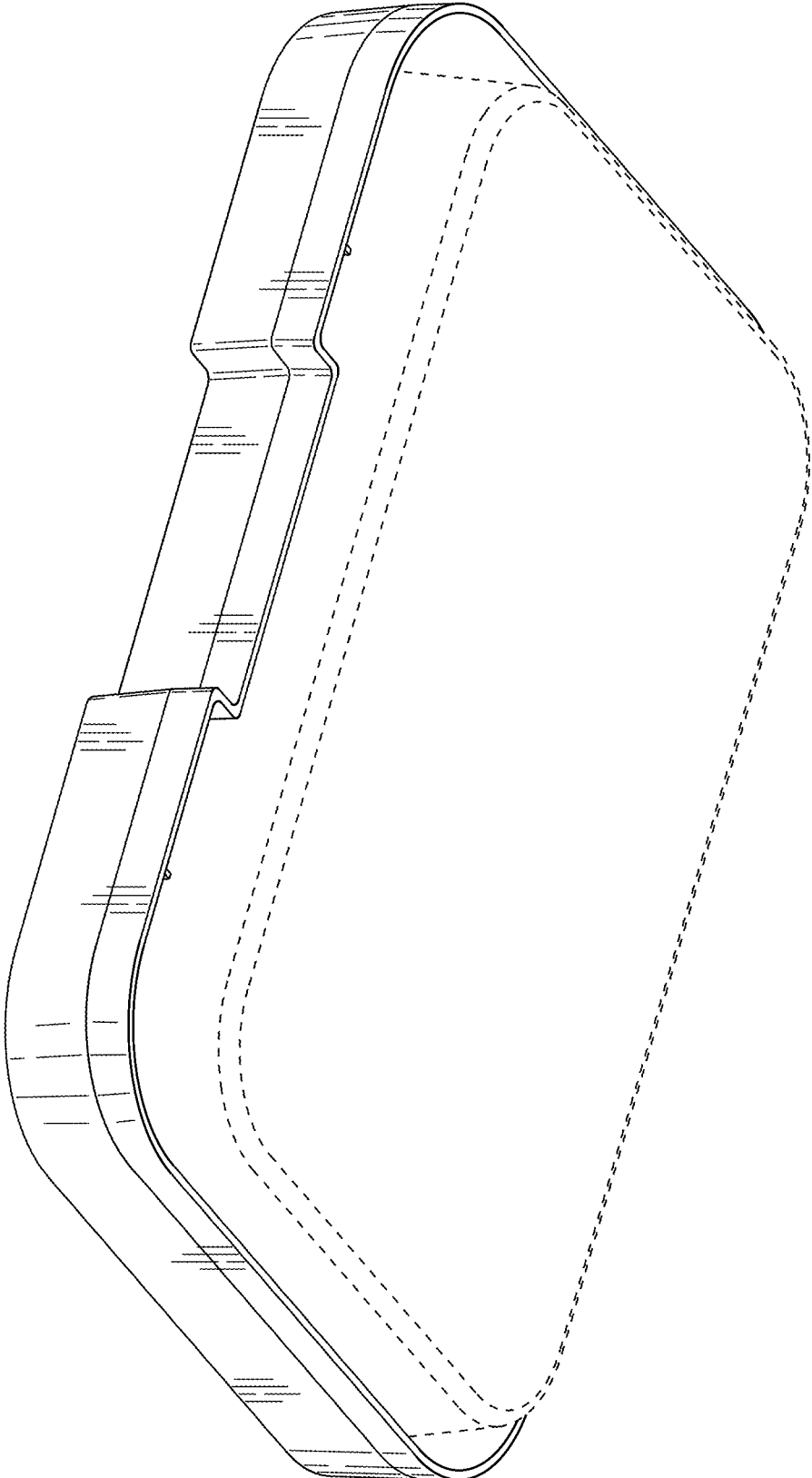




Fig. 9

