



US00D523501S

(12) **United States Design Patent**
Nicolette et al.

(10) **Patent No.:** **US D523,501 S**

(45) **Date of Patent:** **** Jun. 20, 2006**

(54) **GOLF IRON HEAD**

(75) Inventors: **Michael R. Nicolette**, Scottsdale, AZ (US); **John A. Solheim**, Phoenix, AZ (US); **Bradley D. Schweigert**, Anthem, AZ (US)

(73) Assignee: **Karsten Manufacturing Corporation**, Phoenix, AZ (US)

(**) Term: **14 Years**

(21) Appl. No.: **29/201,623**

(22) Filed: **Mar. 17, 2004**

Related U.S. Application Data

(63) Continuation-in-part of application No. 29/183,307, filed on Jun. 9, 2003.

(51) **LOC (8) Cl.** **21-02**

(52) **U.S. Cl.** **D21/749**

(58) **Field of Classification Search** D21/747-751;
473/324-331, 350

See application file for complete search history.

(56) **References Cited**

U.S. PATENT DOCUMENTS

D225,123 S	*	11/1972	Viero et al.	D21/749
D240,841 S		8/1976	Solheim		
D256,264 S		8/1980	Solheim		
D264,488 S	*	5/1982	Kobayashi	D21/749
D268,856 S	*	5/1983	Fisher	D21/749
D279,022 S	*	5/1985	Worster et al.	D21/749
D332,812 S		1/1993	Solheim		
D348,091 S	*	6/1994	Allen	D21/749
D357,293 S		4/1995	Solheim		
D359,539 S	*	6/1995	Allen	D21/749
D359,781 S	*	6/1995	Allen	D21/749
D371,182 S	*	6/1996	Stites	D21/749
D379,393 S		5/1997	Kubica		
D422,043 S		3/2000	Kubica		
D429,299 S		8/2000	Kubica		
D442,659 S		5/2001	Kubica		

D473,605 S * 4/2003 Petersen et al. D21/747
D492,376 S * 6/2004 Nicolette et al. D21/747

* cited by examiner

Primary Examiner—Mitchell Siegel
(74) *Attorney, Agent, or Firm*—Darrell F. Marquette

(57) **CLAIM**

We claim the ornamental design for a golf iron head, as shown and described.

DESCRIPTION

FIG. 1 is a perspective view of a golf iron head showing one embodiment of our new design;

FIG. 2 is a front elevational view of the golf iron head shown in FIG. 1;

FIG. 3 is a rear elevational view of the golf iron head shown in FIG. 1;

FIG. 4 is a top view of the golf iron head shown in FIG. 1; FIG. 5 is a bottom view of the golf iron head shown in FIG. 1;

FIG. 6 is a toe end view of the golf iron head shown in FIG. 1;

FIG. 7 is a heel end view of the golf iron head shown in FIG. 1;

FIG. 8 is a cross-sectional view taken along lines 8—8 in FIG. 3;

FIG. 9 is a perspective view of a golf iron head showing another embodiment of our new design;

FIG. 10 is a front elevational view of the golf iron head shown in FIG. 9;

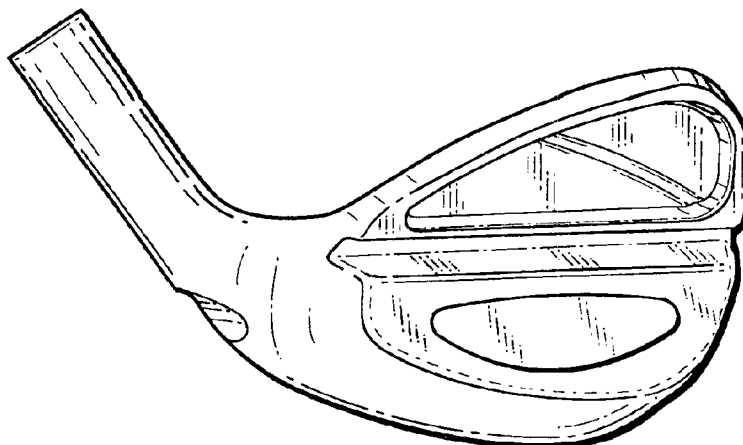
FIG. 11 is a rear elevational view of the golf iron head shown in FIG. 9;

FIG. 12 is a top view of the golf iron head shown in FIG. 9; FIG. 13 is a bottom view of the golf iron head shown in FIG. 9;

FIG. 14 is a toe end view of the golf iron head shown in FIG. 9; and,

FIG. 15 is a heel end view of the golf iron head shown in FIG. 9.

1 Claim, 5 Drawing Sheets



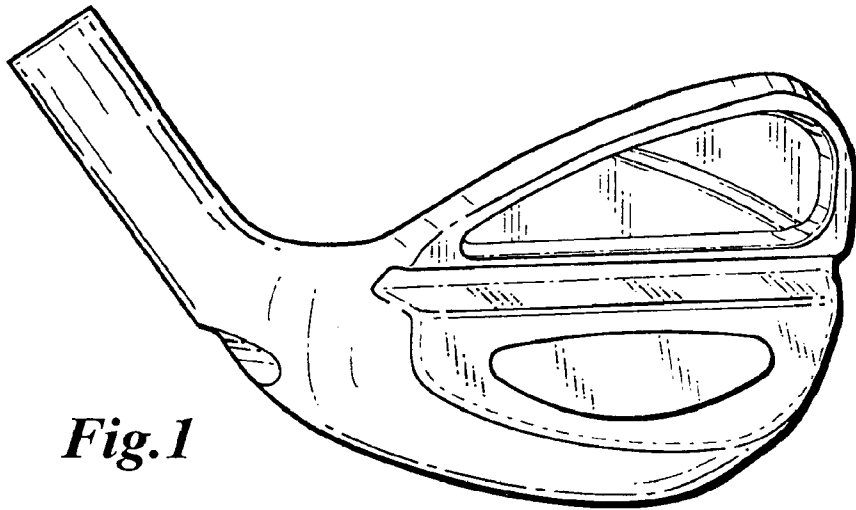


Fig.1

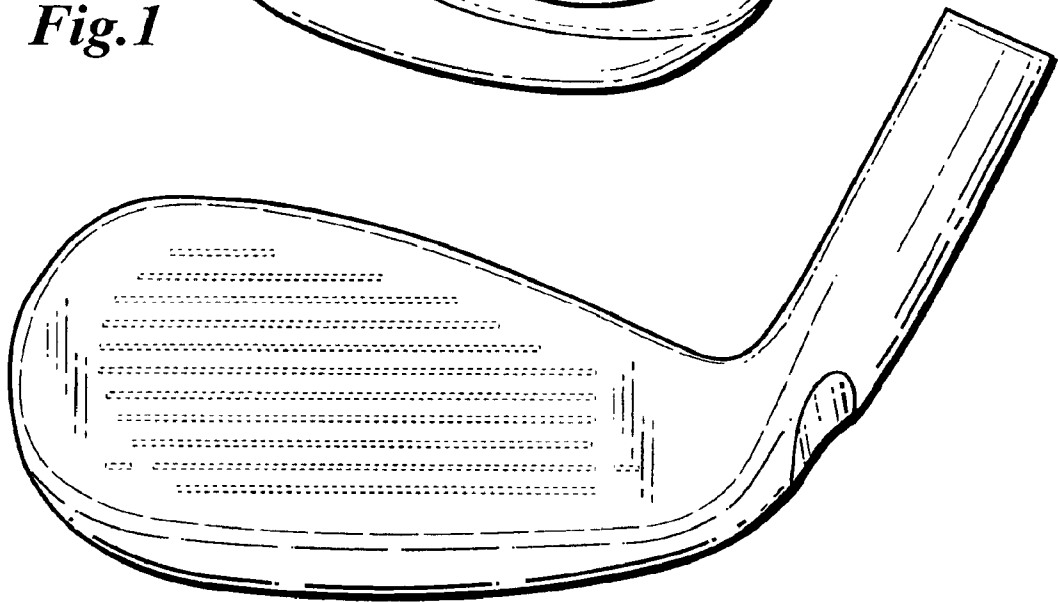


Fig.2

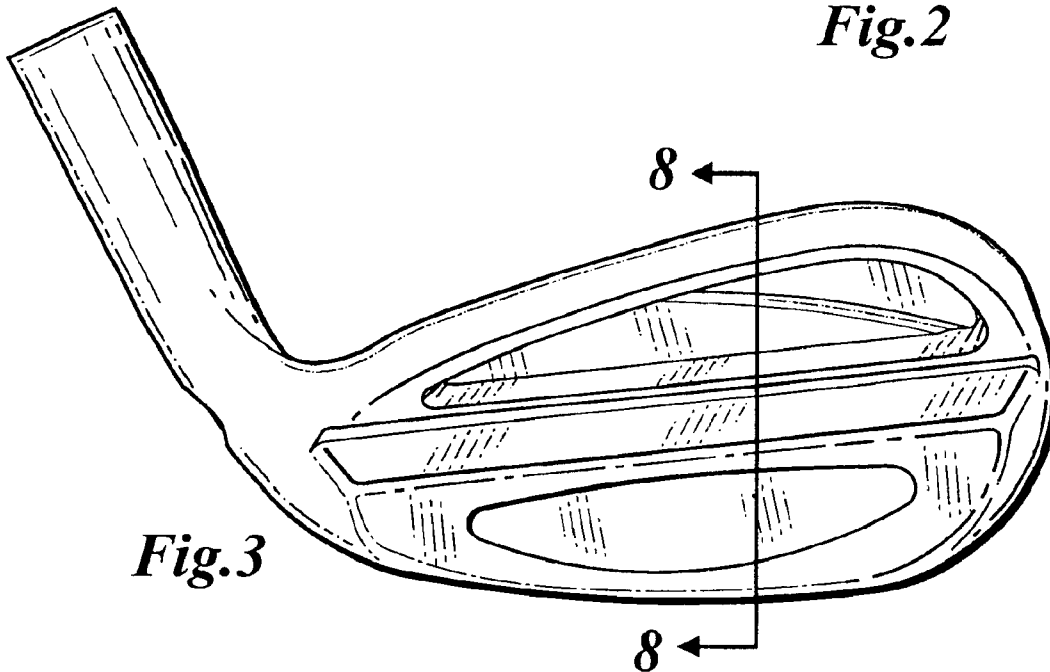


Fig.3

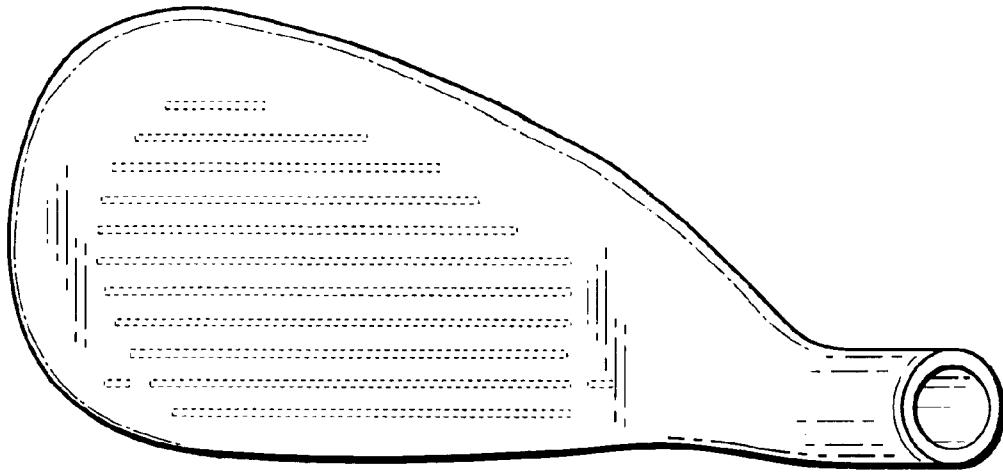


Fig. 4

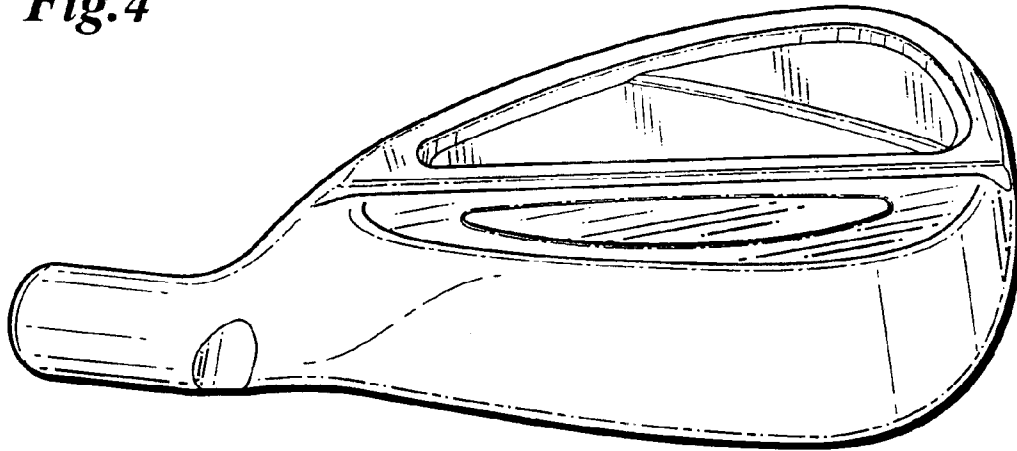


Fig. 5

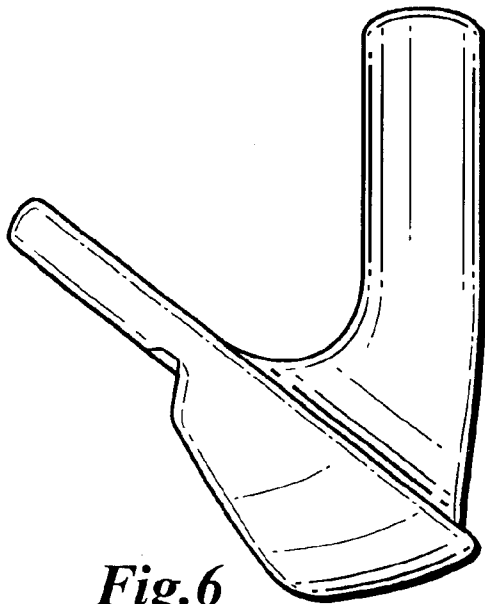


Fig. 6

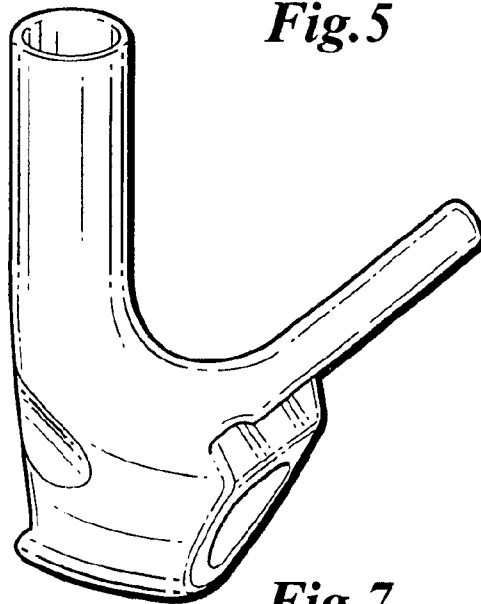


Fig. 7

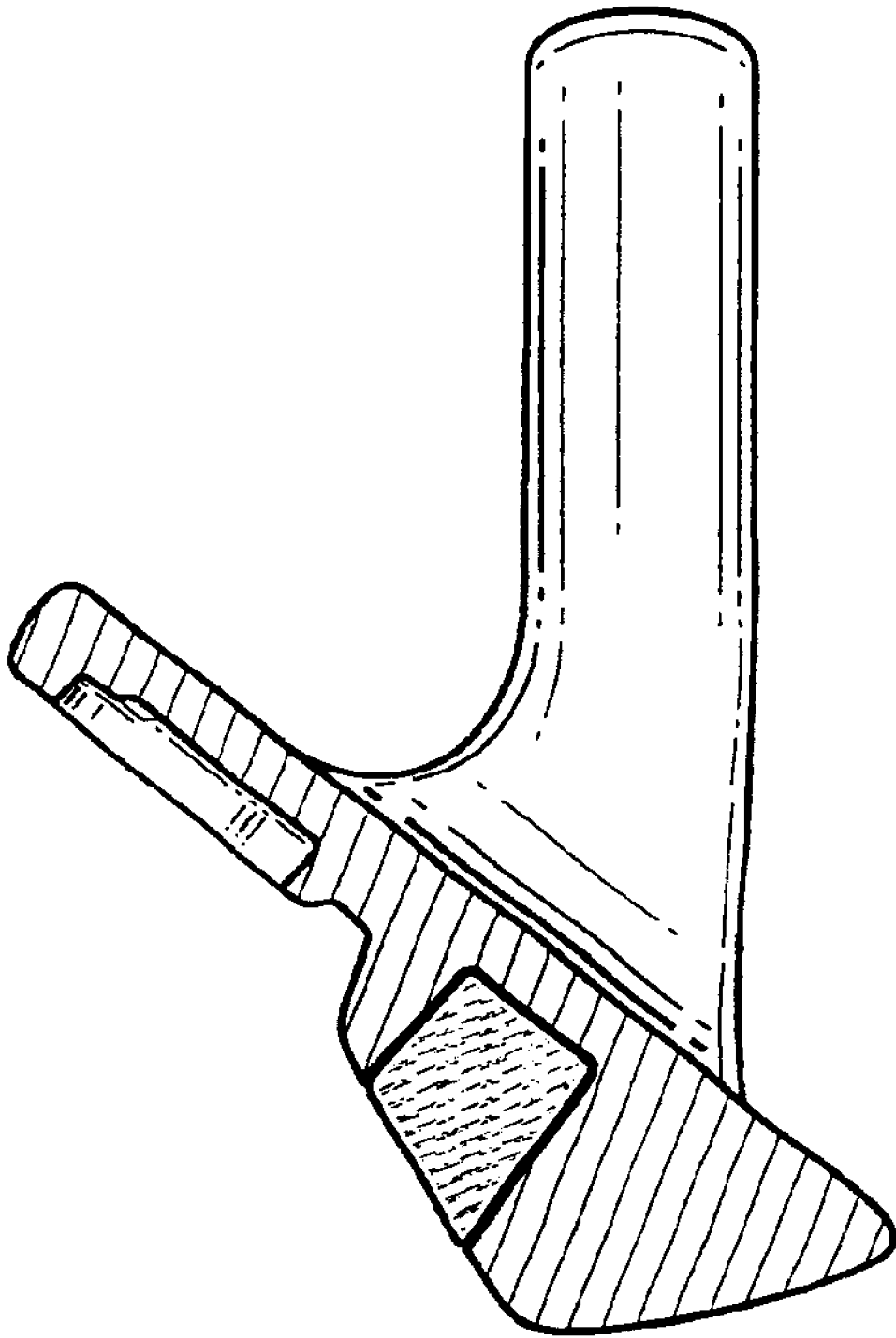


Fig. 8

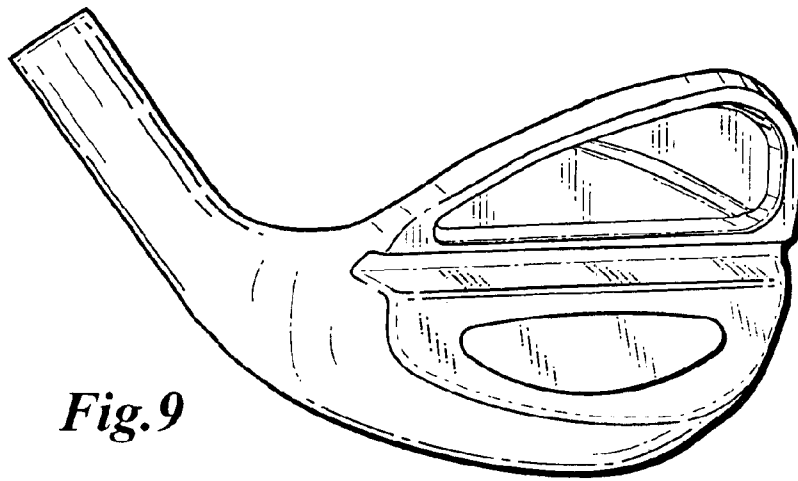


Fig. 9

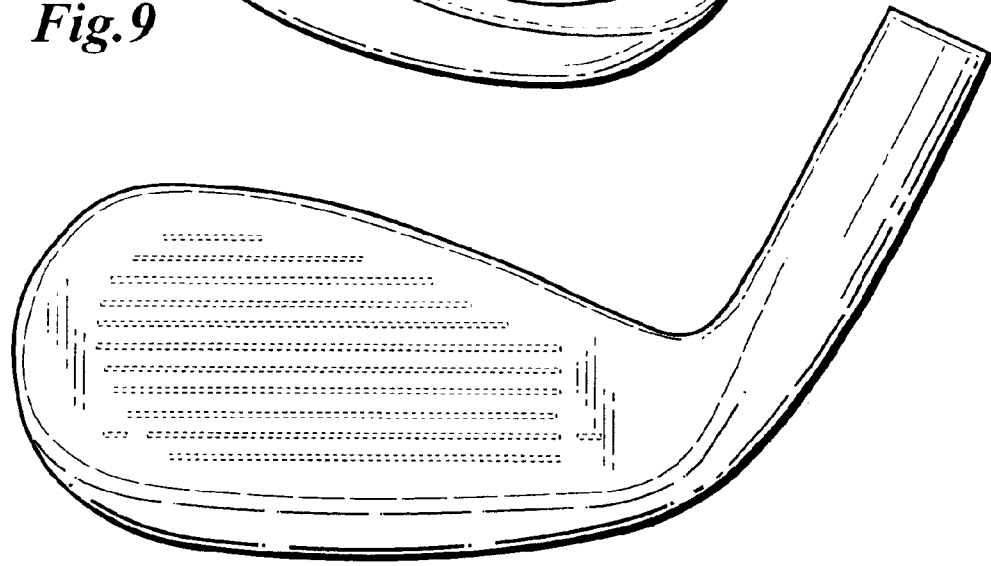


Fig. 10

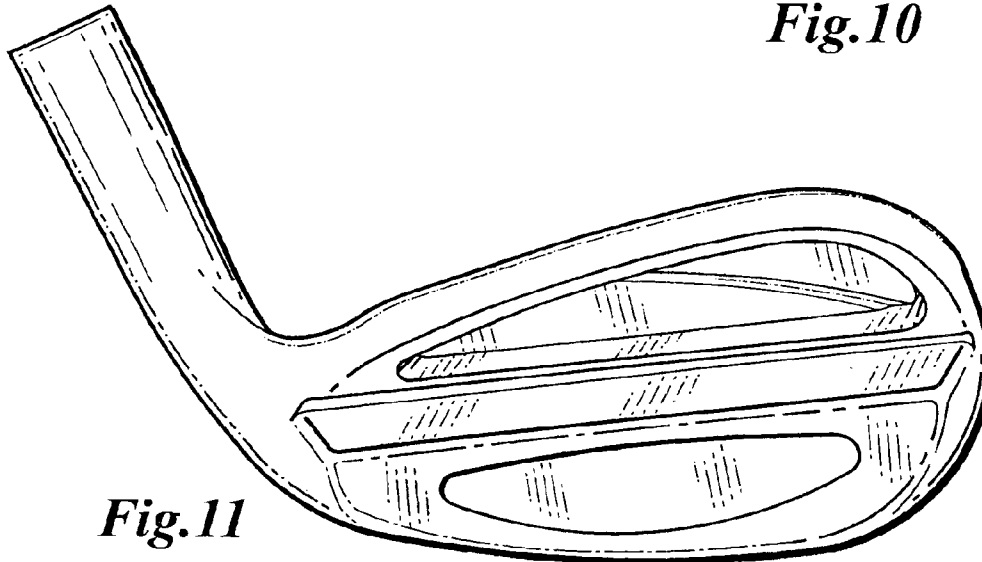


Fig. 11

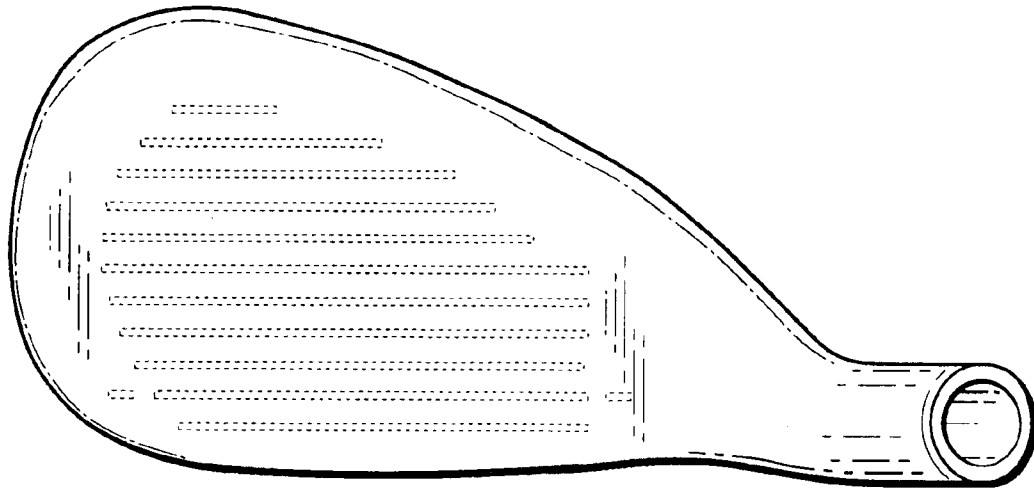


Fig.12

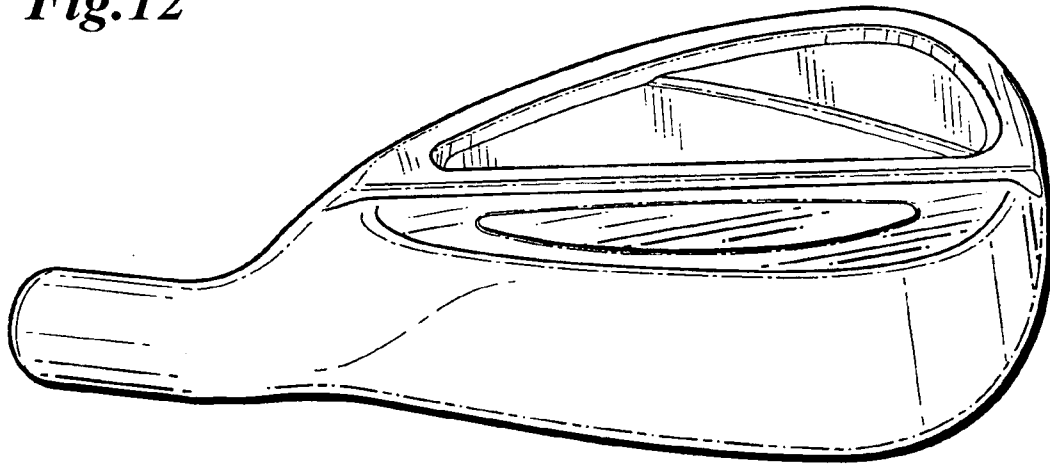


Fig.13

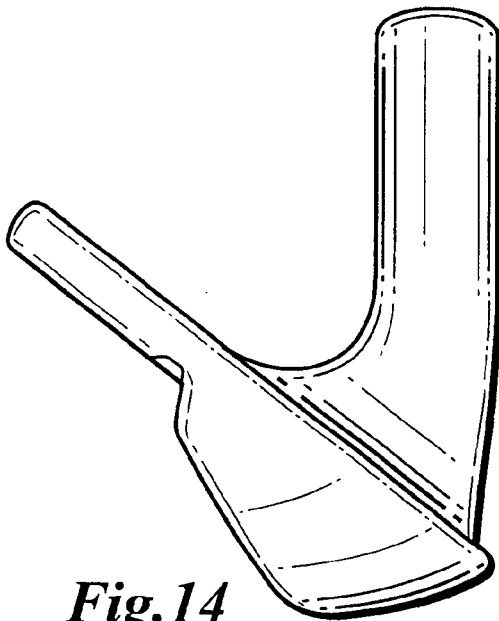


Fig.14

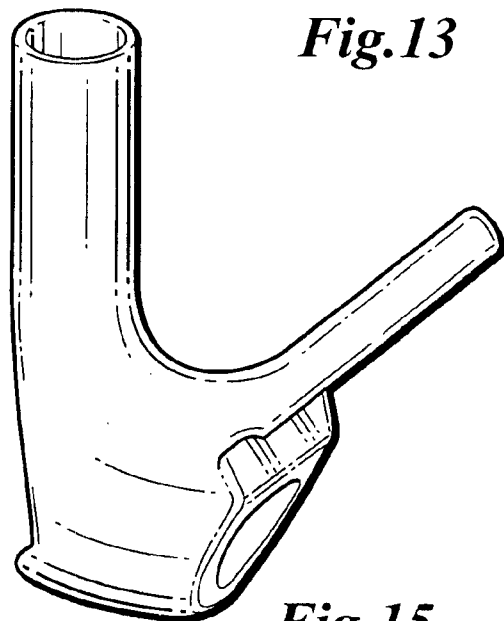


Fig.15