



US00D543821S

(12) **United States Design Patent**
Ranieri

(10) **Patent No.:** **US D543,821 S**

(45) **Date of Patent:** **** Jun. 5, 2007**

(54) **CLAMP**

(75) Inventor: **Eric Ranieri**, Becanson (FR)

(73) Assignee: **The Stanley Works**, New Britain, CT (US)

(**) Term: **14 Years**

(21) Appl. No.: **29/265,909**

(22) Filed: **Sep. 12, 2006**

(51) **LOC (8) Cl.** **08-05**

(52) **U.S. Cl.** **D8/73**

(58) **Field of Classification Search** D8/71-74,
D8/394, 59; 269/3, 6, 143, 147-149, 95,
269/240, 246, 247, 249; 81/355, 356, 353,
81/487; 29/257, 276; D15/140

See application file for complete search history.

(56) **References Cited**

U.S. PATENT DOCUMENTS

749,732 A *	1/1904	Hanson et al.	269/146
772,254 A *	10/1904	Reckweg	269/147
831,845 A *	9/1906	Brickson	269/246
1,201,461 A *	10/1916	Hargrave	269/147
4,339,113 A *	7/1982	Vosper	269/147
D286,369 S *	10/1986	Hahn	D8/72
D335,805 S *	5/1993	Ransom	D8/73
5,405,124 A *	4/1995	Mayer et al.	269/249

D382,471 S *	8/1997	Neff	D8/394
D418,033 S *	12/1999	Svedberg	D8/72
D477,979 S *	8/2003	Hermann	D8/72
D482,585 S *	11/2003	Brass et al.	D8/72
2005/0184439 A1 *	8/2005	Janson et al.	269/6

* cited by examiner

Primary Examiner—Louis Zarfes

Assistant Examiner—David Muller

(74) *Attorney, Agent, or Firm*—Pillsbury Winthrop Shaw Pittman LLP

(57) **CLAIM**

The ornamental design for a clamp, as shown and described.

DESCRIPTION

FIG. 1 is a perspective illustration, from the front and right side, of a clamp according to my design;

FIG. 2 is a right elevation view thereof;

FIG. 3 is a left elevation view thereof;

FIG. 4 is a top plan view thereof;

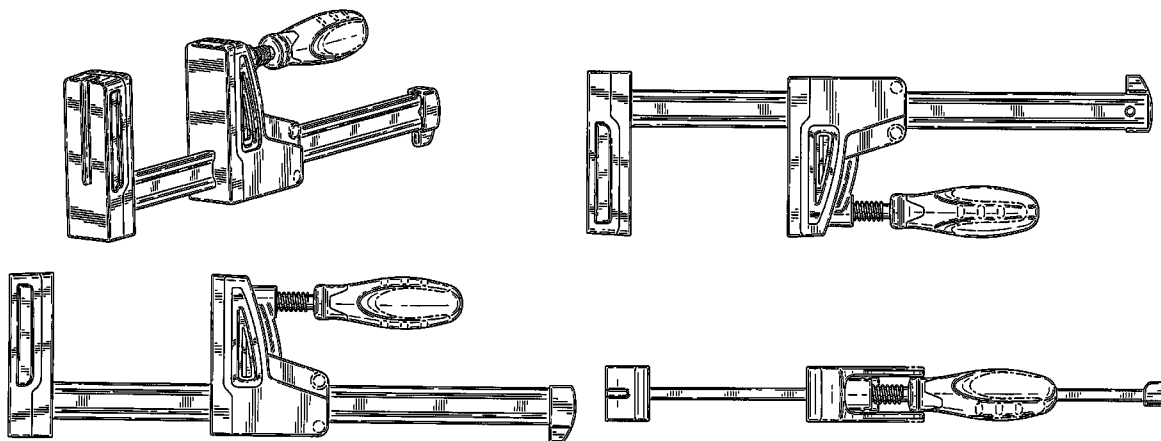
FIG. 5 is a bottom plan view thereof;

FIG. 6 is a front elevation view thereof; and,

FIG. 7 is a rear elevation view thereof.

In FIGS. 1-7, broken lines showing structure are for illustrative purposes only and form no part of the claimed design.

1 Claim, 5 Drawing Sheets



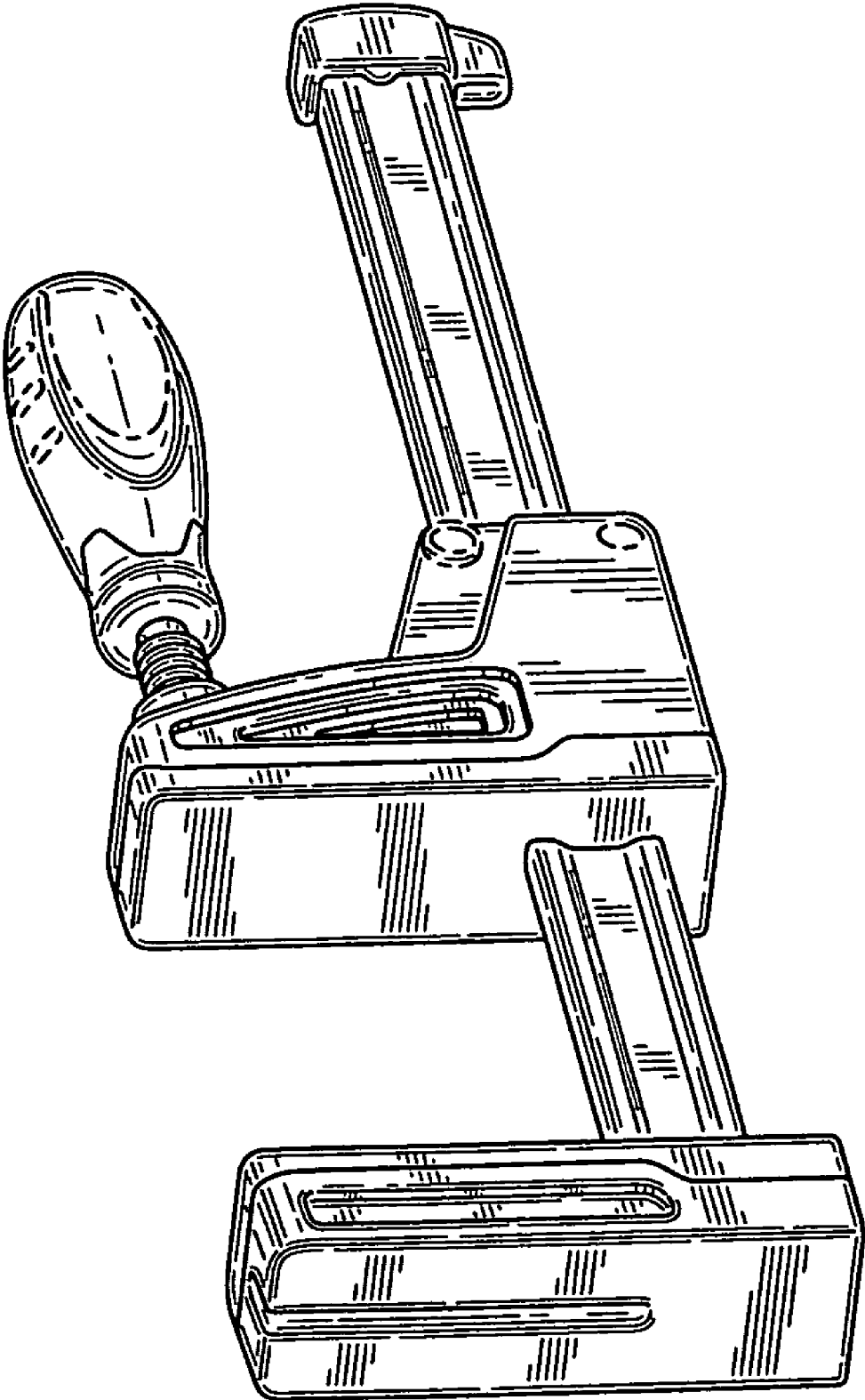


FIG. 1

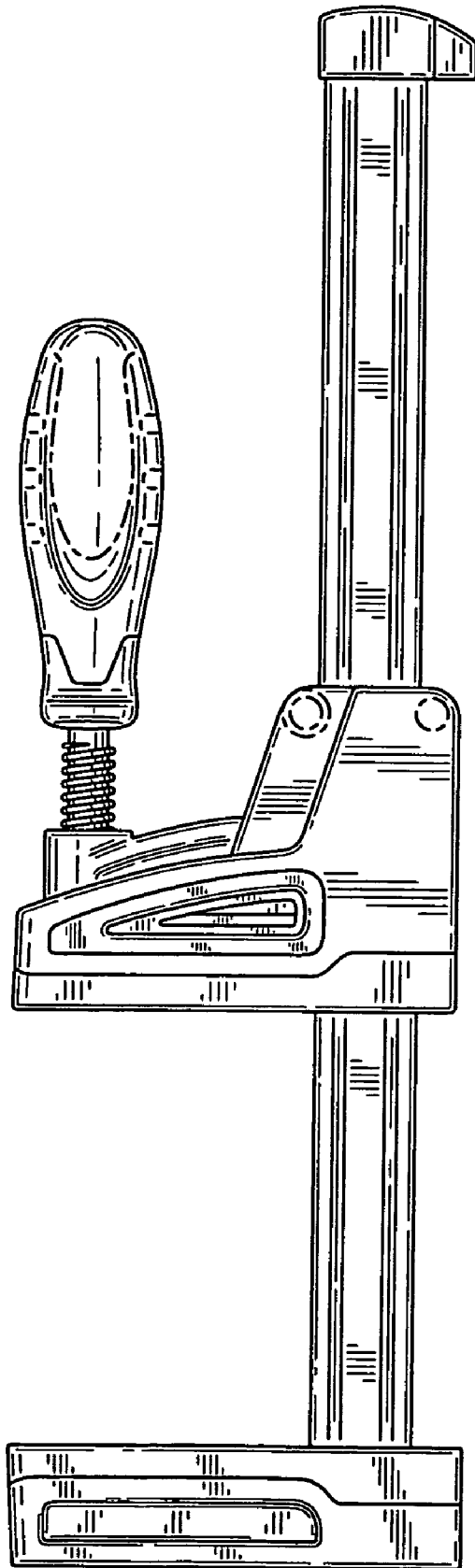


FIG. 2

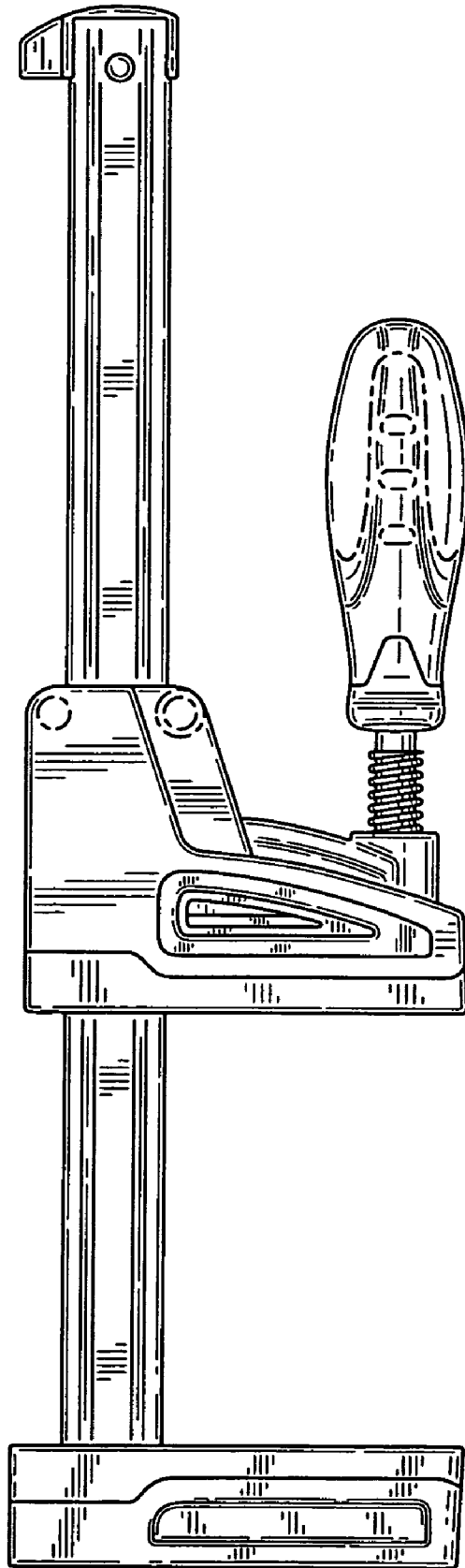


FIG. 3

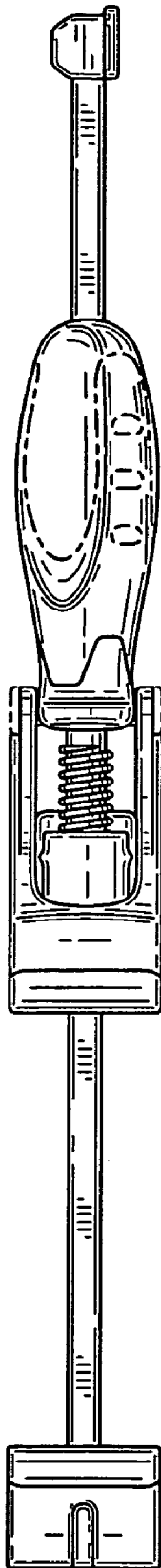


FIG. 4

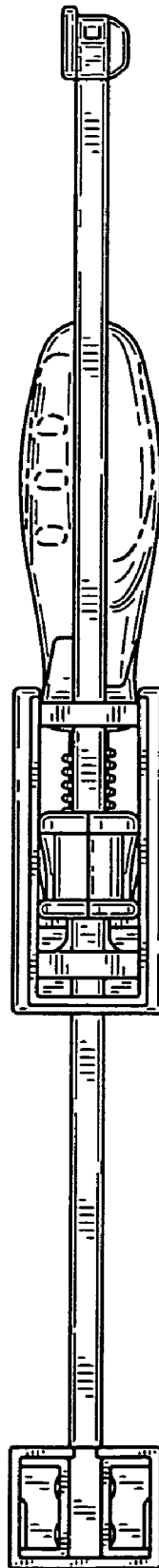


FIG. 5

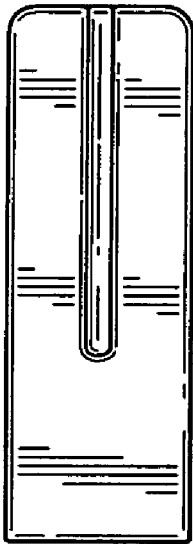


FIG. 6

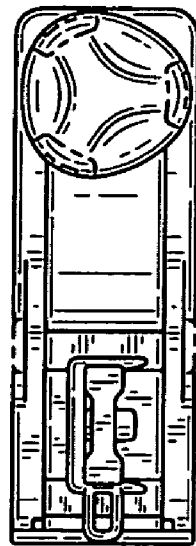


FIG. 7