



US00D613248S

(12) **United States Design Patent**
Wu

(10) **Patent No.:** **US D613,248 S**

(45) **Date of Patent:** **** Apr. 6, 2010**

(54) **POWER CORD WITH SOCKET**

(75) Inventor: **Jui-Hsiung Wu**, Taipei (TW)

(73) Assignee: **Well Shin Technology Co., Ltd.**, Taipei (TW)

(**) Term: **14 Years**

(21) Appl. No.: **29/339,910**

(22) Filed: **Jul. 10, 2009**

(51) **LOC (9) Cl.** **13-03**

(52) **U.S. Cl.** **D13/137.4; D13/110**

(58) **Field of Classification Search** .. D13/137.1–137.4,
D13/138.1, 138.2, 139.1–139.8, 107–108,
D13/110, 133, 146, 147, 54, 184, 199; D14/433;
174/53–58, 66; 439/105–107, 535, 650–655,
439/638, 692, 502, 505; 337/189, 198
See application file for complete search history.

(56) **References Cited**

U.S. PATENT DOCUMENTS

D264,330	S	*	5/1982	Dumoulin	D13/137.4
D307,579	S	*	5/1990	Layne et al.	D13/137.3
D319,609	S	*	9/1991	Brown	D13/137.4
D324,670	S	*	3/1992	Ferraro	D13/137.4
5,234,360	A	*	8/1993	Kramer, Jr.	439/505
5,236,374	A	*	8/1993	Leonard et al.	439/505
D367,261	S	*	2/1996	Hansen	D13/138.1
D408,354	S	*	4/1999	Whitcomb	D13/137.4
5,902,148	A	*	5/1999	O'Rourke	439/505

D445,090	S	*	7/2001	Payne et al.	D13/139.7
D466,867	S	*	12/2002	Krobusek	D13/137.4
D467,545	S	*	12/2002	Wang	D13/138.1
D479,826	S	*	9/2003	Verfueth et al.	D13/146
D520,950	S	*	5/2006	Mahoney	D13/139.8
7,210,960	B2	*	5/2007	Mak	439/505
D575,228	S	*	8/2008	So	D13/110
D592,597	S	*	5/2009	van der Lande	D13/139.8
D595,228	S	*	6/2009	Huang	D13/133

* cited by examiner

Primary Examiner—Rosemary K Tarcza

(57) **CLAIM**

The ornamental design for a power cord with socket, as shown and described.

DESCRIPTION

FIG. 1 is a perspective view of a power cord with socket showing my new design;

FIG. 2 is a front elevational view thereof;

FIG. 3 is a rear elevational view thereof;

FIG. 4 is a left side elevational view thereof;

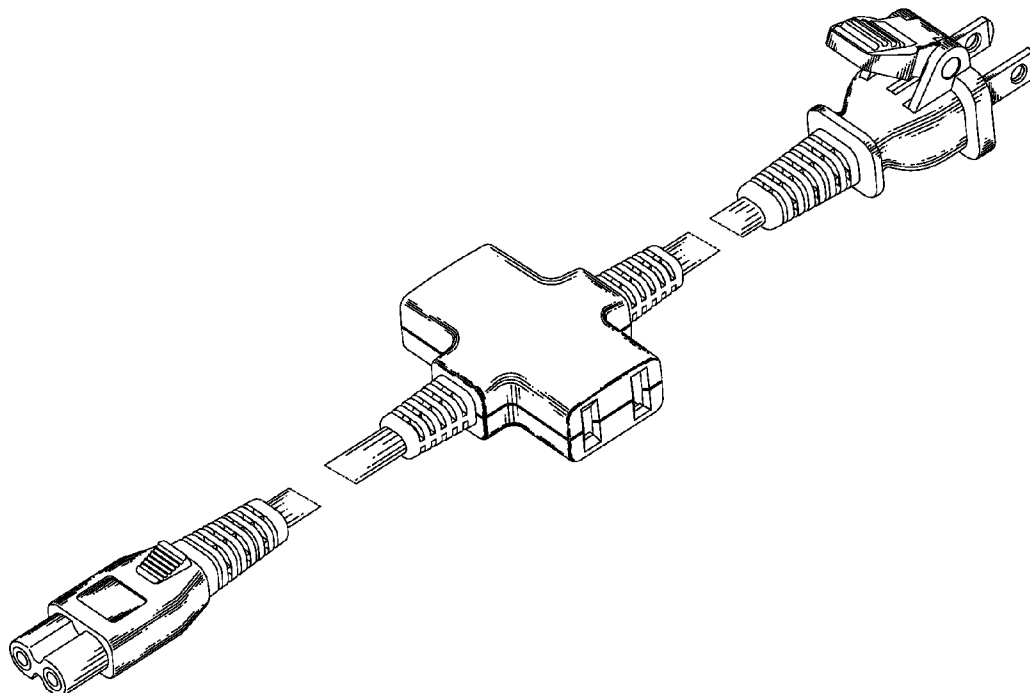
FIG. 5 is a right side elevational view thereof;

FIG. 6 is a top plan view thereof; and,

FIG. 7 is a bottom plan view thereof.

The broken lines in the Figures are for illustrative purposes and form no part of the claimed designs

1 Claim, 7 Drawing Sheets



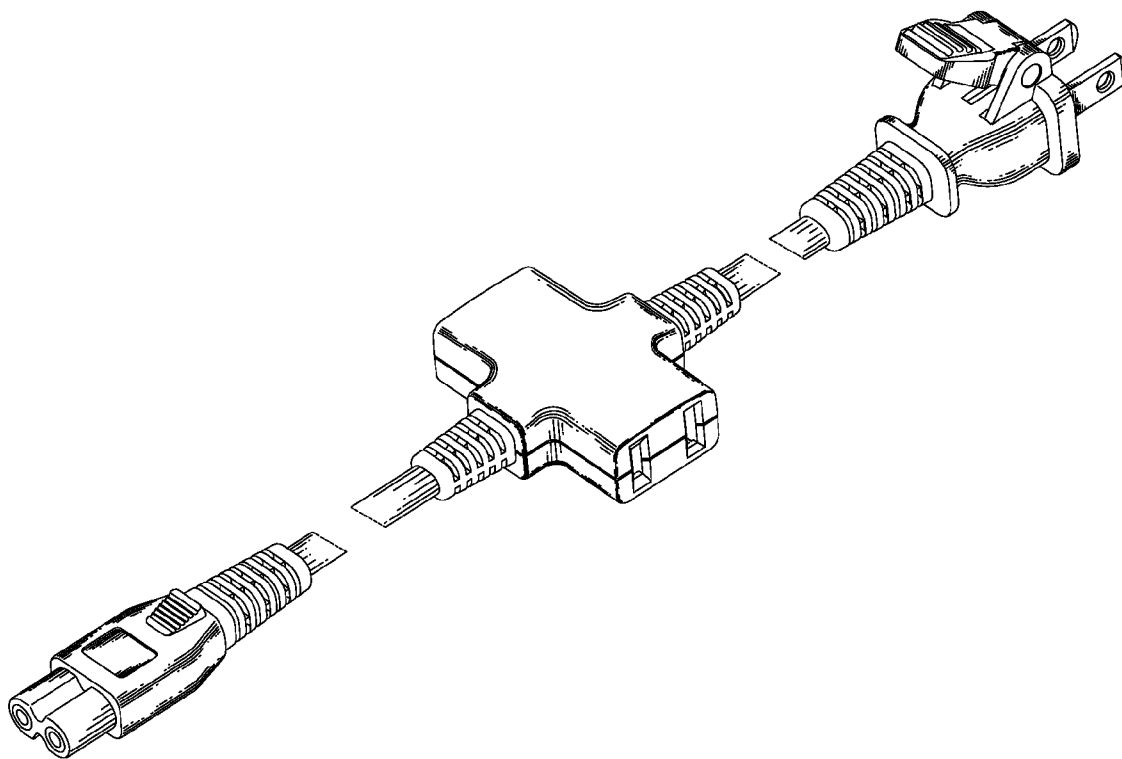


FIG. 1

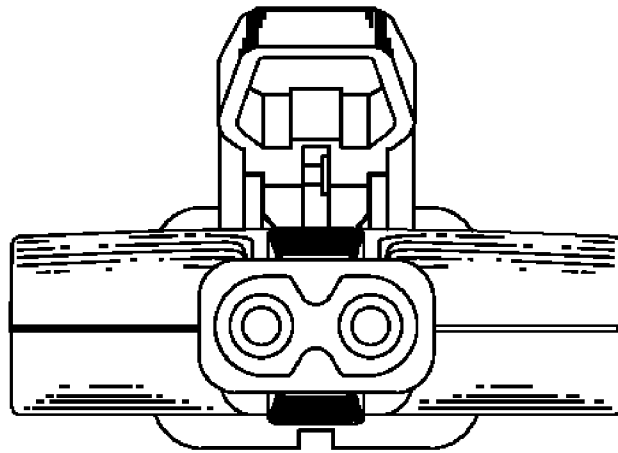


FIG. 2

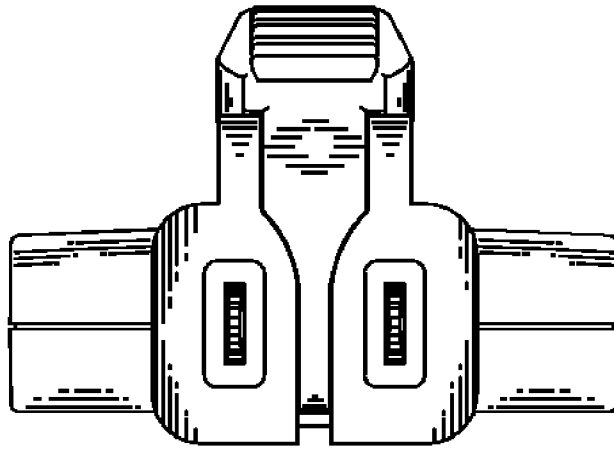


FIG. 3

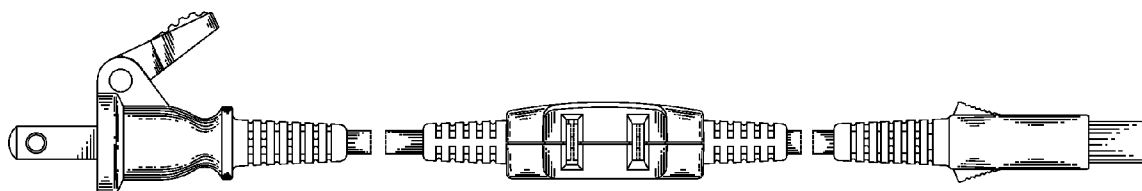


FIG. 4

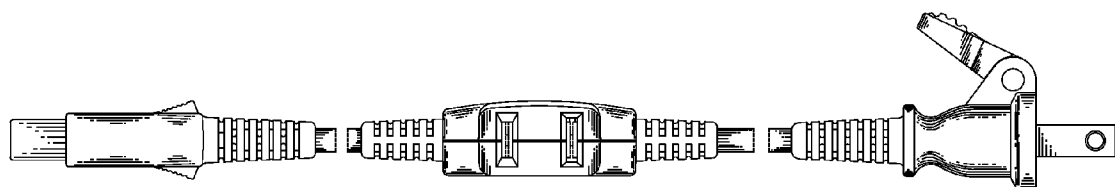


FIG. 5

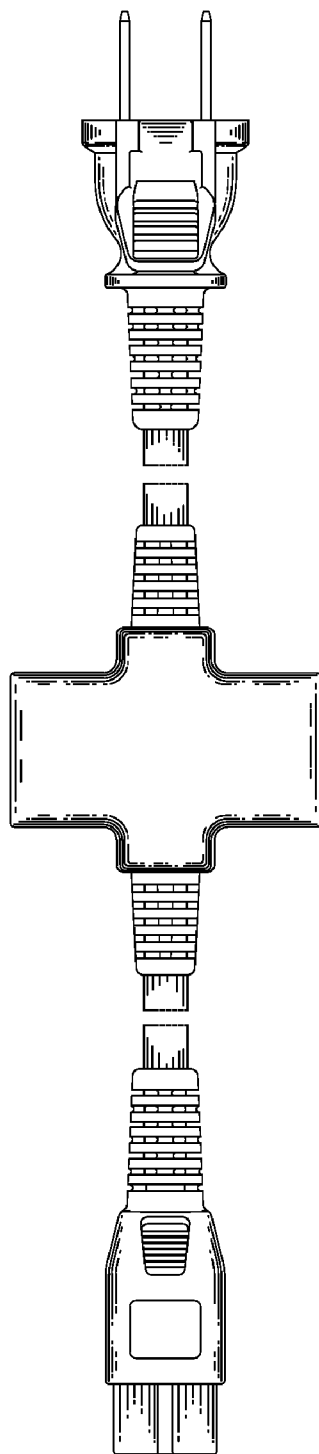


FIG. 6

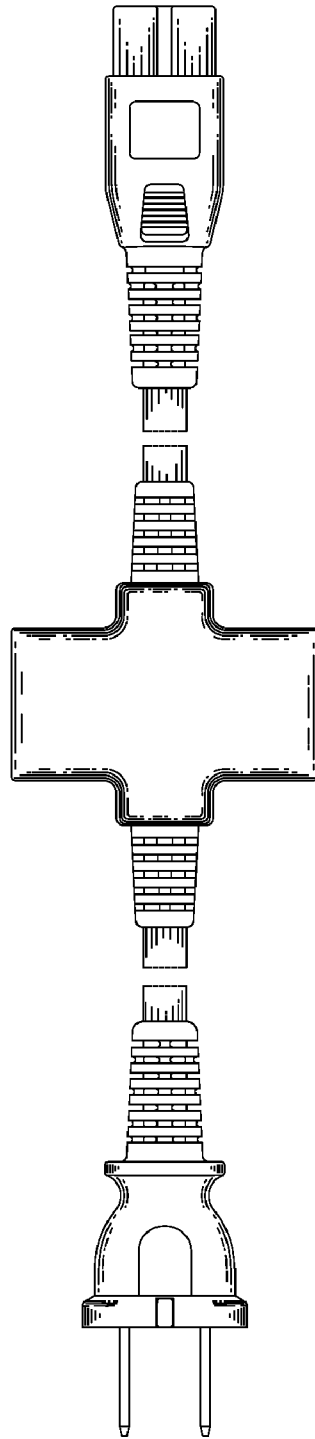


FIG. 7