



US00D712350S

(12) **United States Design Patent**
Smith et al.

(10) **Patent No.:** **US D712,350 S**

(45) **Date of Patent:** **** Sep. 2, 2014**

(54) **DOCKING STATION FOR AN ELECTRONIC DEVICE**

(71) Applicant: **Research In Motion Limited**, Waterloo (CA)

(72) Inventors: **Dustin Jonathan Smith**, Chicago, IL (US); **Anders Fahrendorff**, Ottawa (CA); **Ryan James Rutter**, Kitchener (CA); **Leonardo Aldana**, Waterloo (CA); **Todd Andrew Wood**, Toronto (CA)

(73) Assignee: **BlackBerry Limited**, Waterloo, Ontario (CA)

(**) Term: **14 Years**

(21) Appl. No.: **29/445,467**

(22) Filed: **Feb. 12, 2013**

(51) **LOC (10) Cl.** **13-02**

(52) **U.S. Cl.**
USPC **D13/108; D14/434**

(58) **Field of Classification Search**
USPC D14/447, 432, 433, 434, 439, 440, 448, D14/451, 253, 238.1; D13/107-110, D13/118-119, 184; 320/107, 108, 109-115
See application file for complete search history.

(56) **References Cited**

U.S. PATENT DOCUMENTS

D487,897 S *	3/2004	Huang et al.	D14/434
D540,802 S *	4/2007	Hussaini et al.	D14/434
D577,665 S *	9/2008	Kim et al.	D13/107
D603,333 S *	11/2009	Fahrendorff et al.	D13/107
D610,985 S *	3/2010	Fahrendorff	D13/108
D623,132 S *	9/2010	Yano	D13/108
D630,579 S *	1/2011	Fahrendorff et al.	D13/108

D631,007 S *	1/2011	Smith et al.	D13/108
D633,038 S *	2/2011	Fahrendorff et al.	D13/108
D637,194 S *	5/2011	Kuroda et al.	D14/447
D648,707 S *	11/2011	Akana et al.	D14/217
D649,932 S *	12/2011	Symons	D13/108
D656,930 S *	4/2012	Son	D14/253
D657,741 S *	4/2012	Fahrendorff et al.	D13/108
D660,794 S *	5/2012	Fahrendorff et al.	D13/108
D662,470 S *	6/2012	Smith et al.	D13/108

(Continued)

OTHER PUBLICATIONS

BlackBerryED, Leaked image of the Z10 docking station!, Feb. 12, 2013, BlackBerry10, BlackBerryNews, online, <<http://www.blackberryed.com/sneak-peek-of-the-z10-docking-station/>>.*

Primary Examiner — Deanna L Pratt

Assistant Examiner — Harold Blackwell, II

(57) **CLAIM**

The ornamental design for a docking station for an electronic device, as shown and described.

DESCRIPTION

FIG. 1 is a perspective view of the docking station for an electronic device showing a front and top of the Applicant's new design;

FIG. 2 is another perspective view showing a rear and bottom thereof;

FIG. 3 is an elevation view showing a front thereof;

FIG. 4 is another elevation view showing a rear thereof;

FIG. 5 is another elevation view showing a right side thereof;

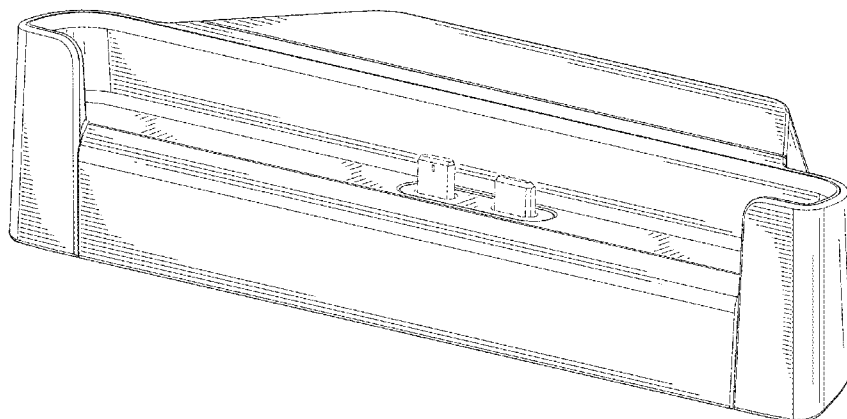
FIG. 6 is another elevation view showing a left side thereof;

FIG. 7 is a plan view showing a top thereof; and,

FIG. 8 is another plan view showing a bottom thereof.

The broken lines in the FIGS. 1-4 and 7 illustrate portions of the base for an electronic docking station which form no part of the claimed design.

1 Claim, 6 Drawing Sheets



(56)

References Cited

U.S. PATENT DOCUMENTS

D669,460	S	*	10/2012	Wikel	D14/253	D675,155	S	*	1/2013	Smith et al.	D13/108
D669,851	S	*	10/2012	Ikegame	D13/108	D685,321	S	*	7/2013	Smith et al.	D13/108
D670,283	S	*	11/2012	Wikel	D14/253	D685,322	S	*	7/2013	Szymanski et al.	D13/108
D671,543	S	*	11/2012	Sogabe	D14/447	D685,796	S	*	7/2013	Paschke et al.	D14/434
D674,392	S	*	1/2013	Cheng et al.	D14/434	D688,623	S	*	8/2013	Carreon et al.	D13/107
							D691,985	S	*	10/2013	Andre et al.	D14/217
							8,545,247	B2	*	10/2013	Aldana et al.	439/248

* cited by examiner

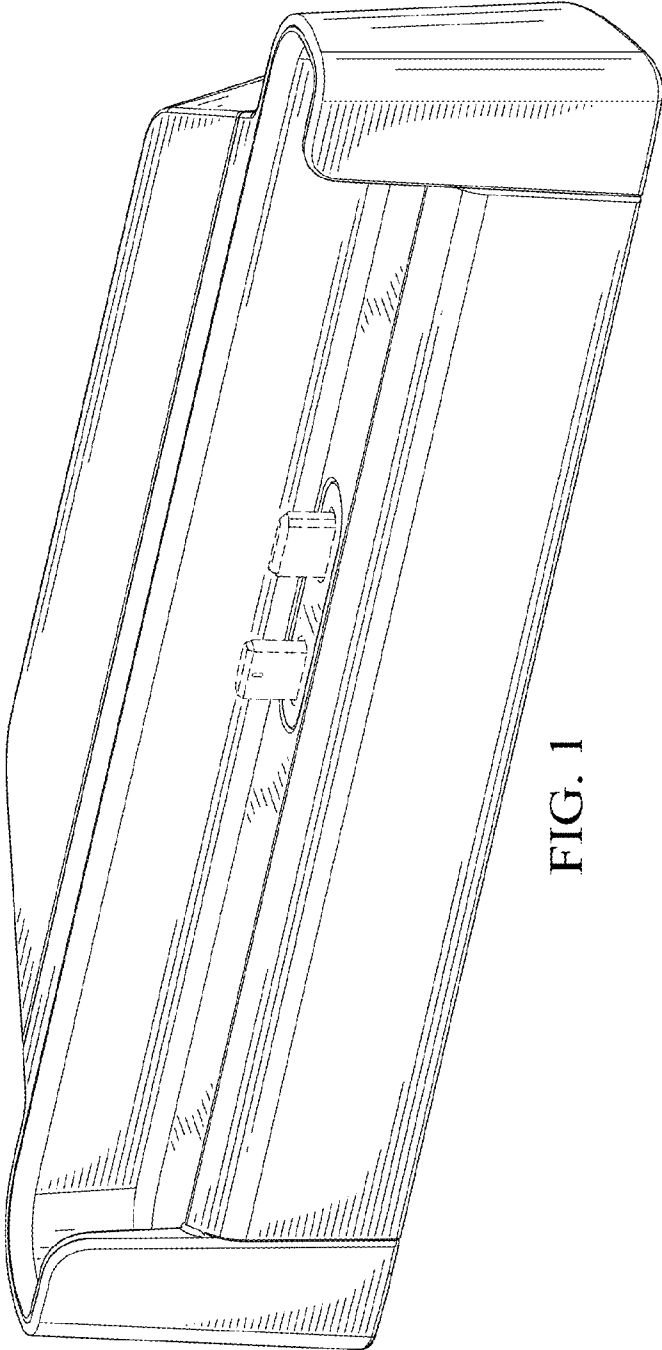


FIG. 1

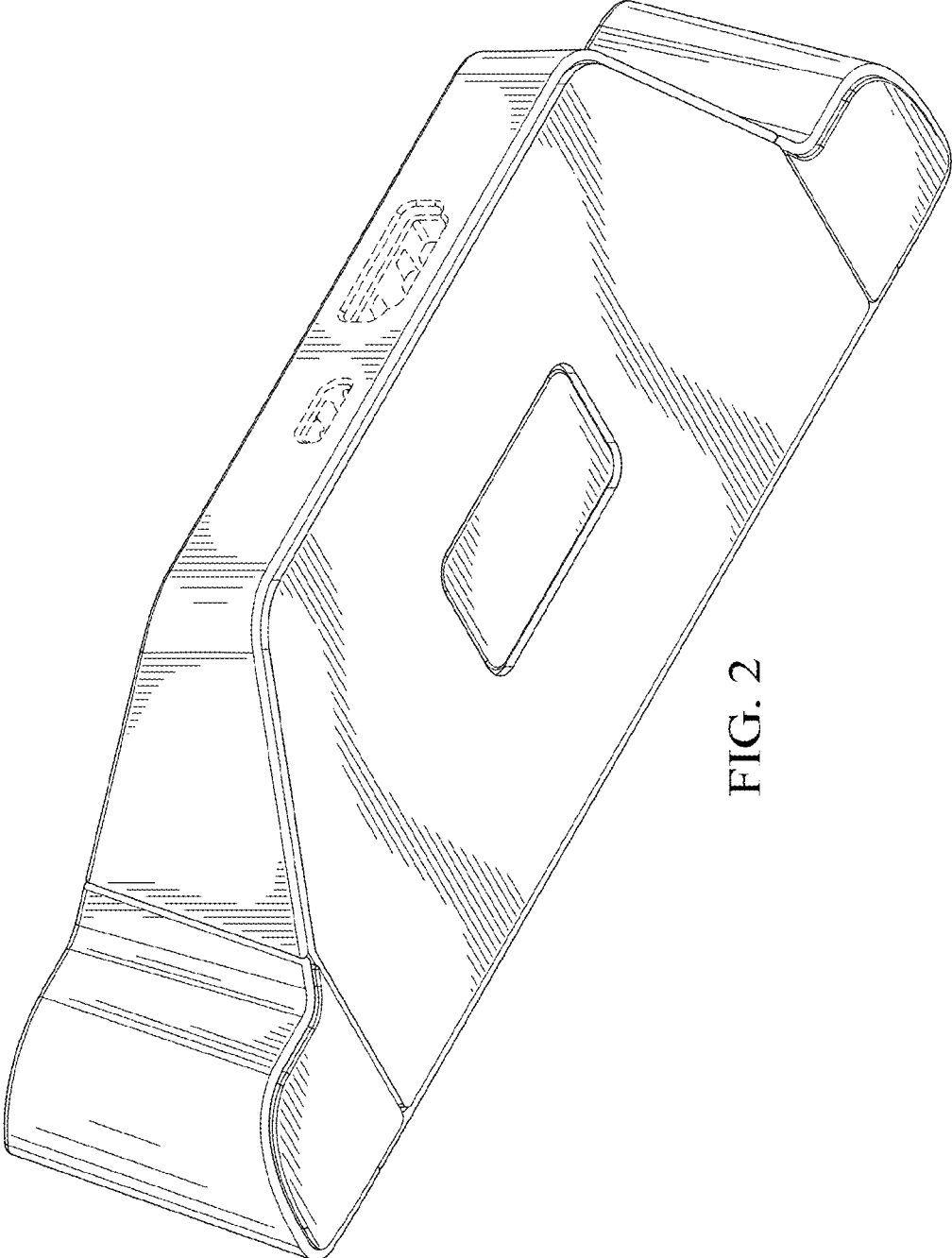


FIG. 2

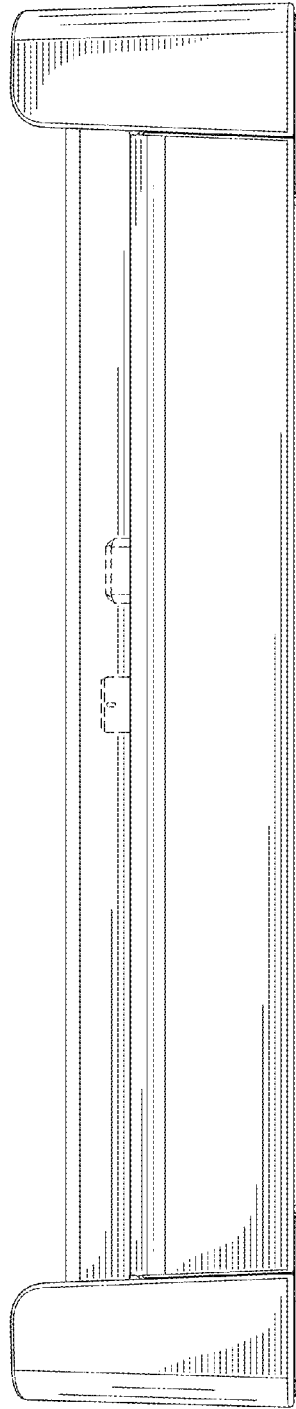


FIG. 3

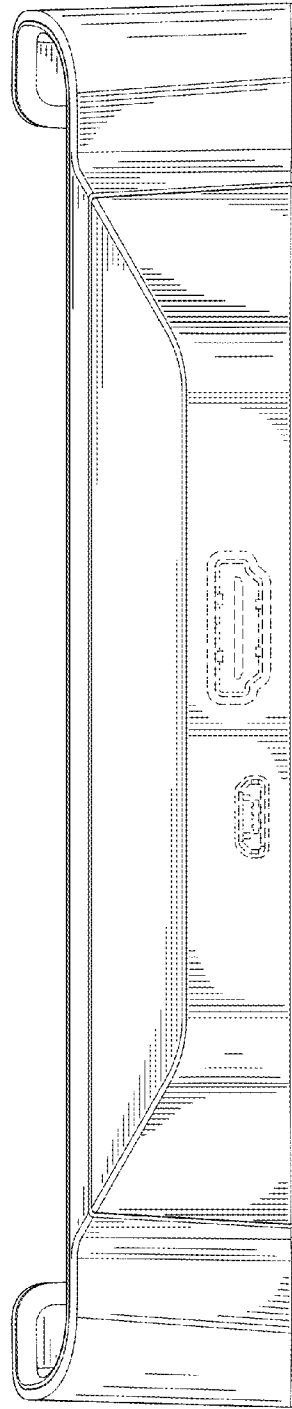


FIG. 4

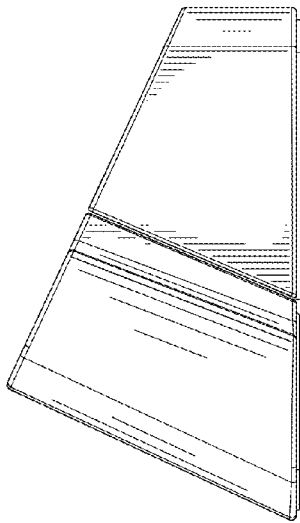


FIG. 5

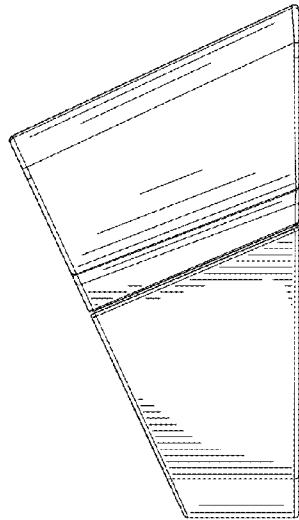


FIG. 6

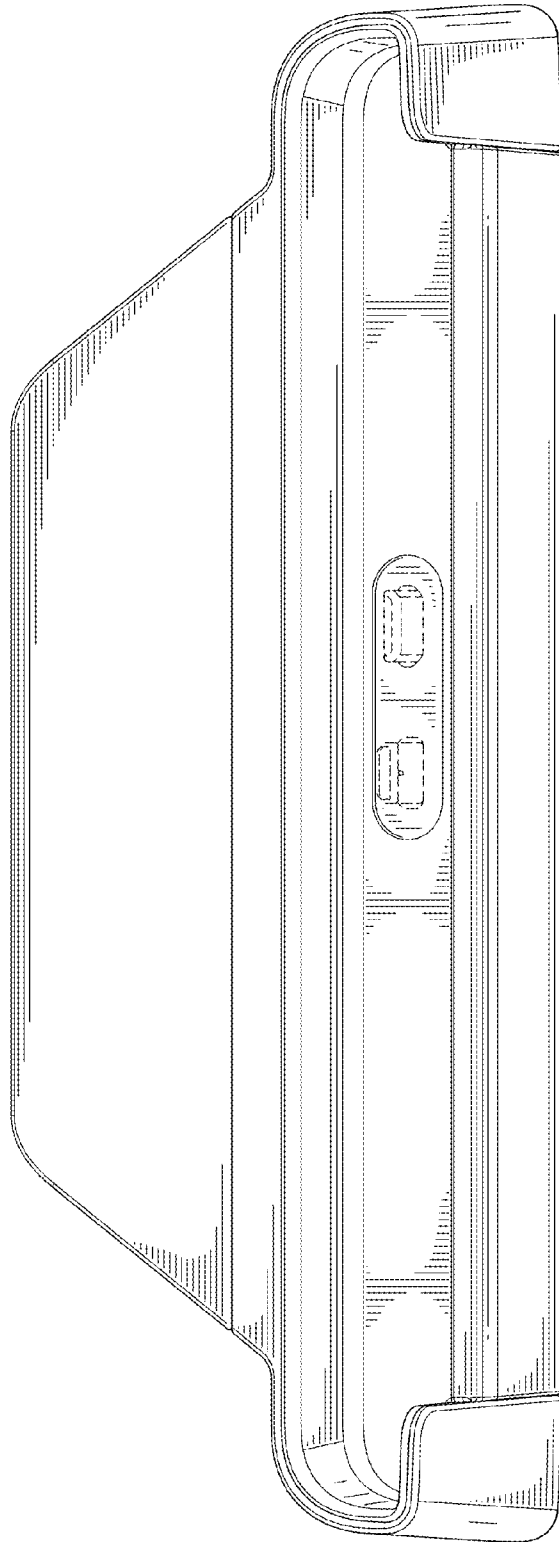


FIG. 7

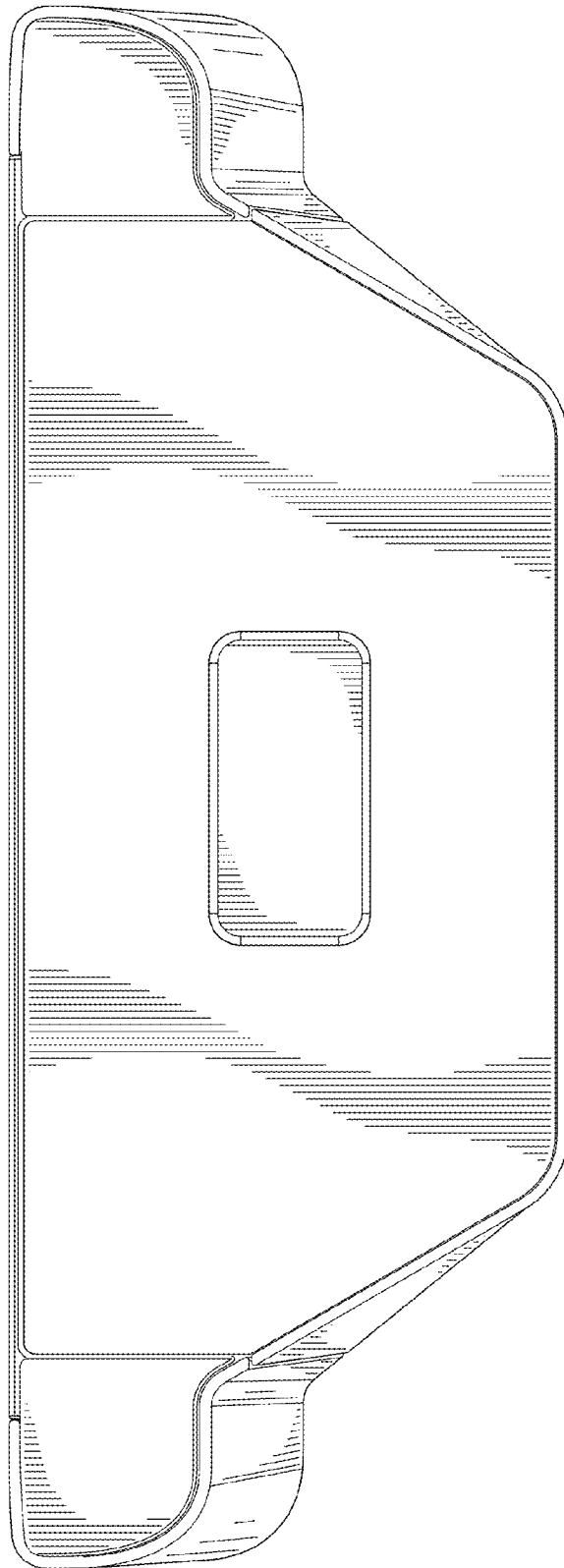


FIG. 8