



US00D945877S

(12) **United States Design Patent**
Smith et al.

(10) **Patent No.:** **US D945,877 S**

(45) **Date of Patent:** **** Mar. 15, 2022**

(54) **CONTAINER**

(71) Applicants: **William Thomas Smith**, Fair Oaks, CA (US); **Cheryl Ann Smith**, Fair Oaks, CA (US)

(72) Inventors: **William Thomas Smith**, Fair Oaks, CA (US); **Cheryl Ann Smith**, Fair Oaks, CA (US)

(73) Assignee: **ALL PLASTIC, INC.**, Rancho Cordova, CA (US)

(**) Term: **15 Years**

(21) Appl. No.: **29/691,120**

(22) Filed: **May 14, 2019**

(51) **LOC (13) Cl.** **09-03**

(52) **U.S. Cl.**
USPC **D9/418**

(58) **Field of Classification Search**
USPC D9/414-418, 422, 560, 564, 544; D3/203.1, 203.2; D7/265, 542, 614; D28/83; D20/10; D4/130; D21/499
CPC B65D 21/0204; B65D 21/0231
See application file for complete search history.

D494,476 S * 8/2004 Cwynar-Laska D9/560
D498,502 S * 11/2004 Duke D20/10
D531,514 S * 11/2006 Harris D9/560
D550,967 S * 9/2007 Huang D4/130
D555,983 S * 11/2007 Tucker D7/542
D572,086 S * 7/2008 Matsumoto D7/614
D616,044 S * 5/2010 Tervo D21/499
D624,704 S * 9/2010 Baker D28/83
D635,031 S * 3/2011 Themann D9/544
8,393,485 B2 * 3/2013 Gold B65D 21/0204
220/23.4
D741,058 S * 10/2015 Wiederman D3/203.2
D761,008 S * 7/2016 Lande D3/203.2
D800,845 S * 10/2017 Sprague D21/499
D892,231 S * 8/2020 Jung D21/499
D926,465 S * 8/2021 Schaepers D3/203.1
2020/0361661 A1 * 11/2020 Smith et al. B65D 25/38

* cited by examiner

Primary Examiner — Rhea Shields

(57) **CLAIM**

The ornamental design for a container, as shown and described.

DESCRIPTION

FIG. 1 is a perspective view of a container showing our new Design in accordance with said Design;
FIG. 2 is a right-side view of the container shown in FIG. 1;
FIG. 3 is a left-side view of the container shown in FIG. 1;
FIG. 4 is a front view of the container shown in FIG. 1;
FIG. 5 is a rear view of the container shown in FIG. 1;
FIG. 6 is a top plan view of the container shown in FIG. 1; and,
FIG. 7 is a bottom plan view of the container shown in FIG. 1.

In the drawings, the broken lines are for the purpose of illustrating portions of the container that forms no part of the claimed design.

1 Claim, 4 Drawing Sheets

(56) **References Cited**

U.S. PATENT DOCUMENTS

D322,938 S * 1/1992 Baroi D9/564
5,782,358 A * 7/1998 Walker B65D 21/0231
206/509
D412,646 S * 8/1999 Credle, Jr. D7/625
D431,190 S * 9/2000 Adachi D9/560
D447,944 S * 9/2001 Justice D21/499
D455,073 S * 4/2002 Mizrahi D9/418
D463,979 S * 10/2002 Rustioni D9/422
D468,636 S * 1/2003 Weinstein D9/418
D479,461 S * 9/2003 Raymond D9/415

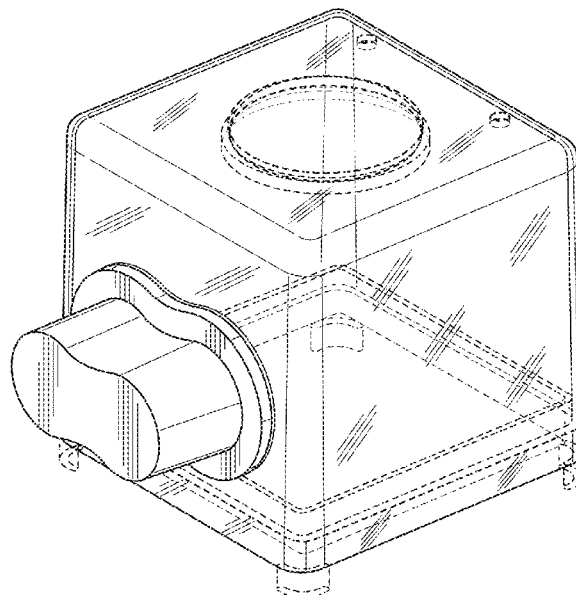


Fig. 1

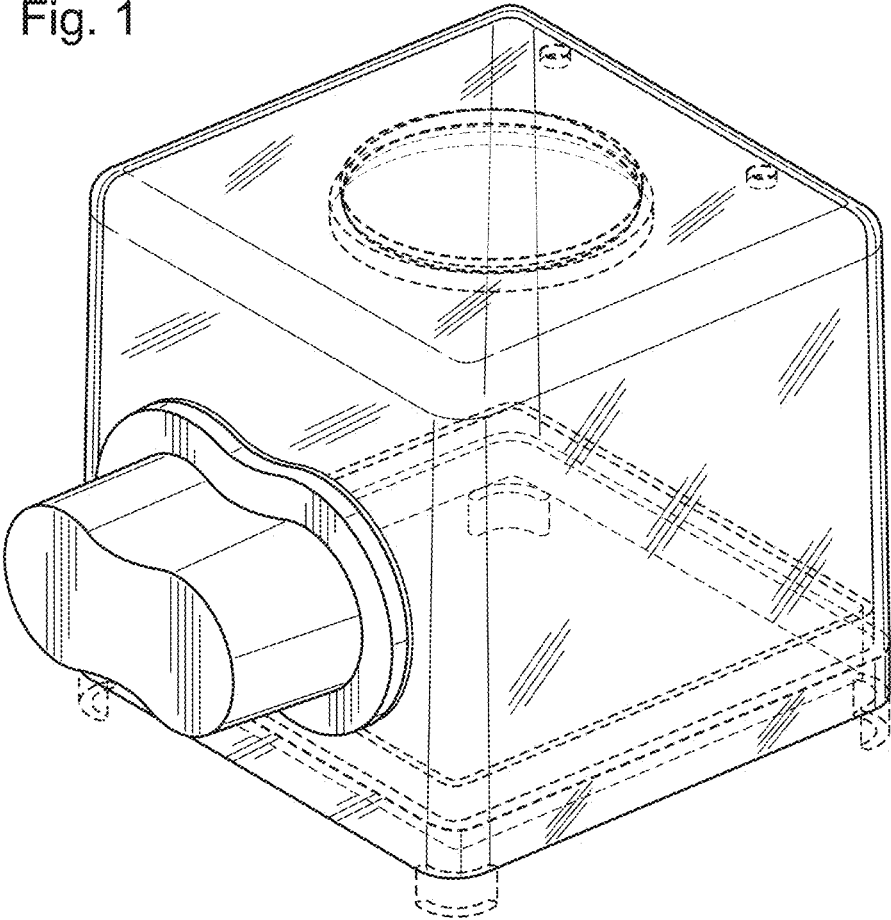


Fig. 2

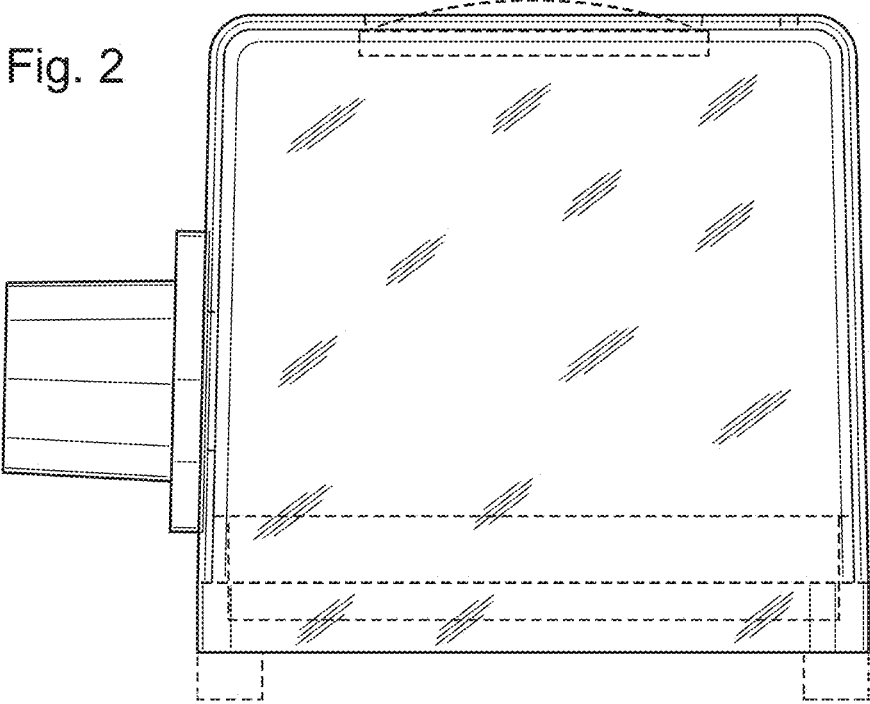


Fig. 3

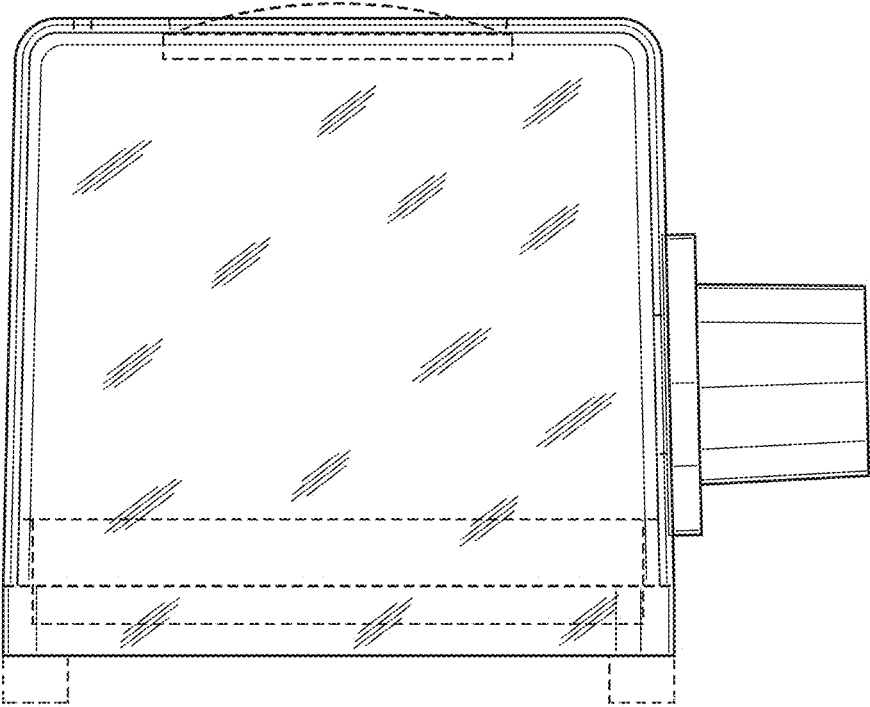


Fig. 4

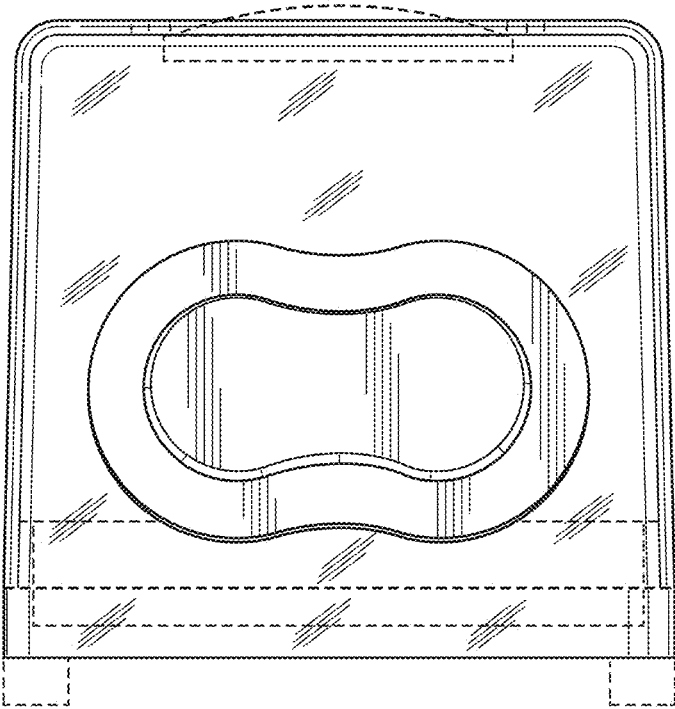


Fig. 5

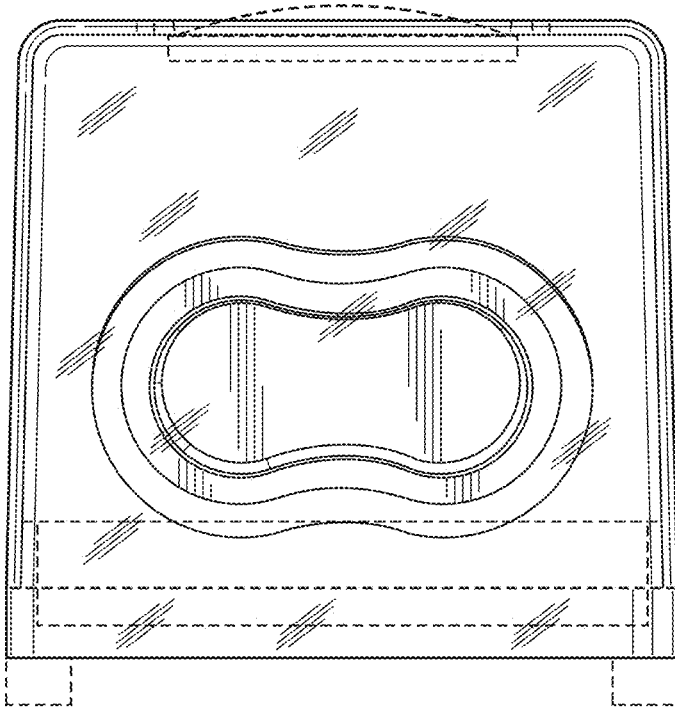


Fig. 6

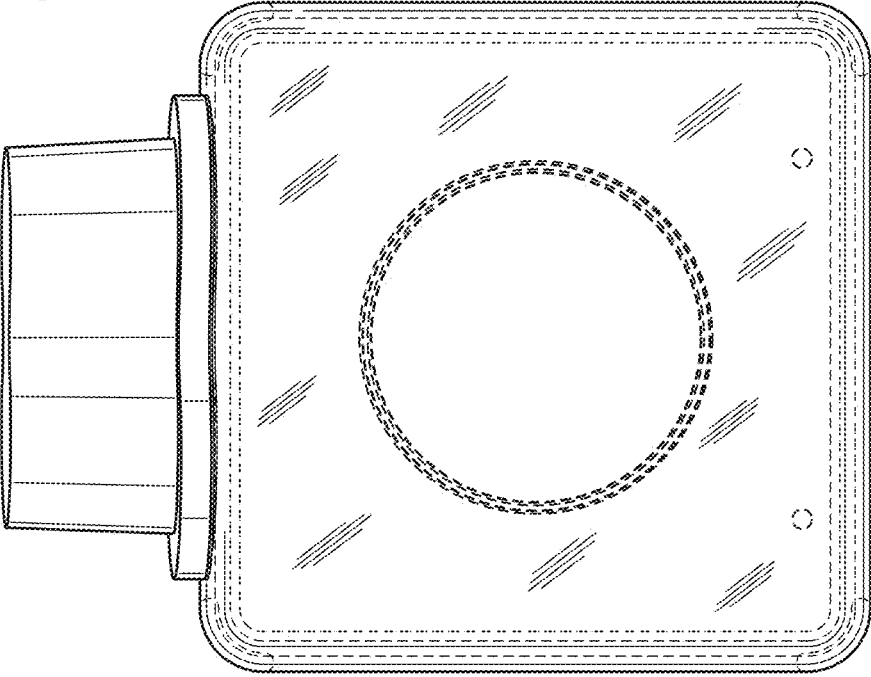


Fig. 7

