



US00D589602S

(12) **United States Design Patent**  
**Horiguchi**

(10) **Patent No.:** **US D589,602 S**

(45) **Date of Patent:** **\*\* Mar. 31, 2009**

(54) **EXHAUST CLEANER FOR AIR PRESSURE  
DEVICE**

(75) Inventor: **Hiroyuki Horiguchi**, Tsukubamirai (JP)

(73) Assignee: **SMC Corporation**, Chiyoda-ku, Tokyo  
(JP)

(\*\*) Term: **14 Years**

(21) Appl. No.: **29/308,083**

(22) Filed: **May 27, 2008**

(30) **Foreign Application Priority Data**

Nov. 28, 2007 (JP) ..... 2007-032600

(51) **LOC (9) Cl.** ..... **23-04**

(52) **U.S. Cl.** ..... **D23/365**

(58) **Field of Classification Search** ..... D23/365,  
D23/363, 358, 386, 354, 341, 364, 209; 55/385.3,  
55/502, 497, 498, 506, 505, 521, 495, 422,  
55/493, DIG. 30; 210/497.01, DIG. 17; D12/194;  
D15/5, 9; 138/37-39, 114; 181/227, 223;  
D9/549, 558, 559, 560; D22/108; D19/41  
See application file for complete search history.

(56) **References Cited**

**U.S. PATENT DOCUMENTS**

1,487,312	A	*	3/1924	Bull	.....	181/223
1,953,120	A	*	4/1934	Miller	.....	D12/194
D205,001	S	*	6/1966	Englesberg	.....	D23/209
D263,496	S	*	3/1982	Kimball et al.	.....	D23/365
D285,331	S	*	8/1986	Cellini	.....	D22/108
D308,334	S	*	6/1990	Gormley et al.	.....	D9/549
H1157	H	*	4/1993	Yanou et al.	.....	D23/209

D426,161	S	*	6/2000	Hestehave et al.	.....	D9/560
D432,622	S	*	10/2000	Thompson et al.	.....	D23/209
D455,782	S	*	4/2002	Singh et al.	.....	D19/41
D465,181	S	*	11/2002	Wang	.....	D12/194
D491,066	S	*	6/2004	Le Goff	.....	D9/549
D540,349	S	*	4/2007	Waki	.....	D15/9

\* cited by examiner

*Primary Examiner*—T. Chase Nelson

*Assistant Examiner*—David G Muller

(74) *Attorney, Agent, or Firm*—Yokoi & Co., U.S.A. Inc.;  
Peter Ganjian

(57) **CLAIM**

The ornamental design for an exhaust cleaner for air pressure device, as shown and described.

**DESCRIPTION**

FIG. 1 shows a front view of an exhaust cleaner for air pressure device showing my new design;

FIG. 2 shows a rear view thereof;

FIG. 3 shows a top view thereof;

FIG. 4 shows a bottom view thereof;

FIG. 5 shows a left side view thereof;

FIG. 6 shows a right side view thereof;

FIG. 7 shows a top, front and left side perspective view thereof;

FIG. 8 shows a top, rear and right side perspective view thereof; and,

FIG. 9 shows an enlarged cross-sectional view thereof, taken along line 9—9 in FIG. 1.

**1 Claim, 3 Drawing Sheets**

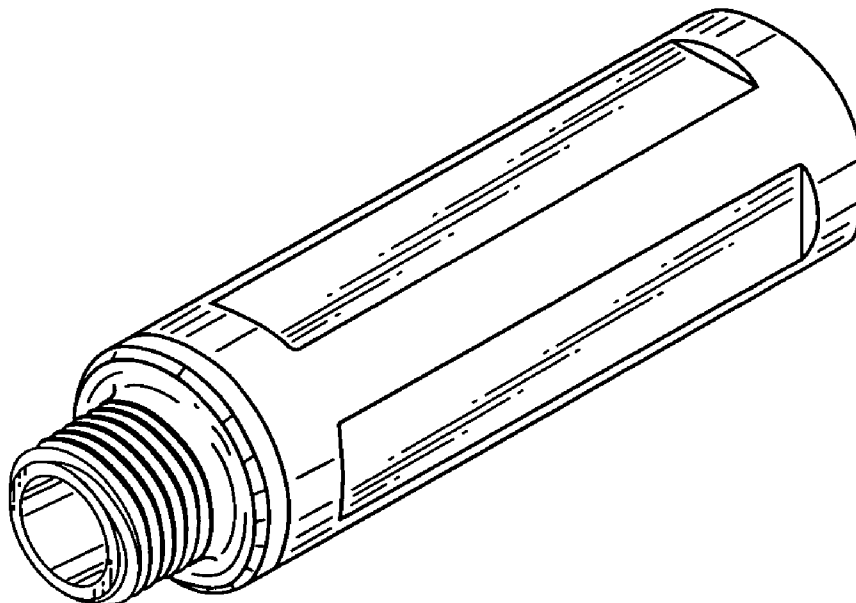


FIG. 1

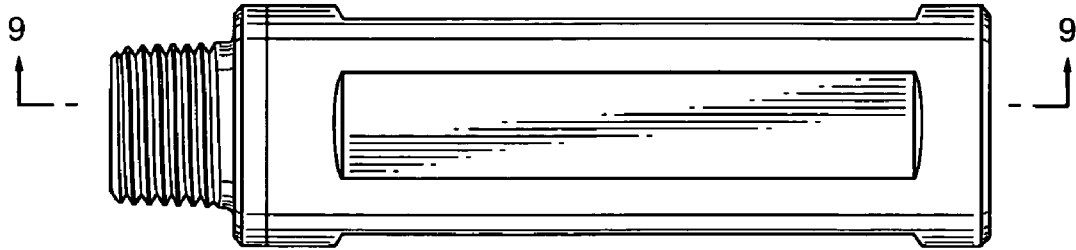


FIG. 2

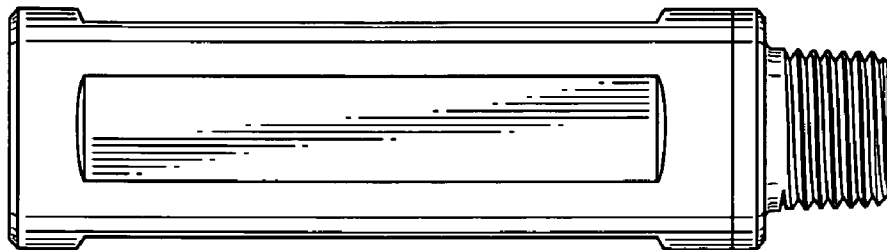


FIG. 3

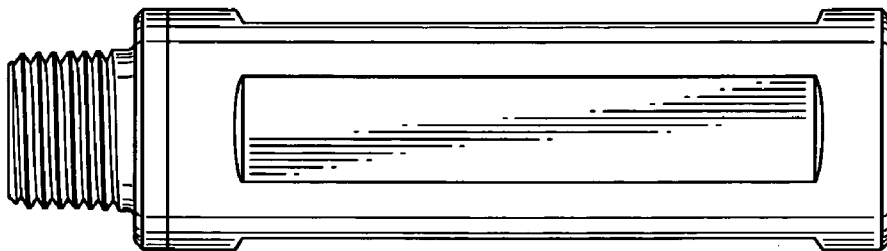


FIG. 4

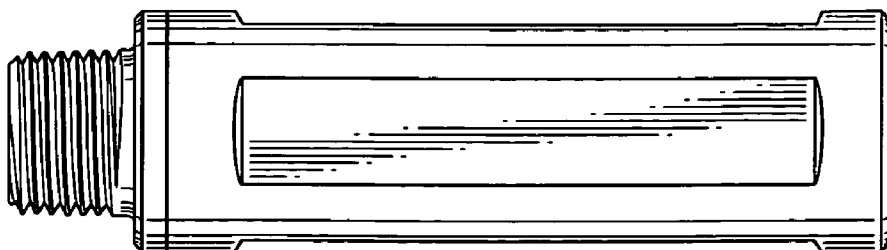


FIG. 5

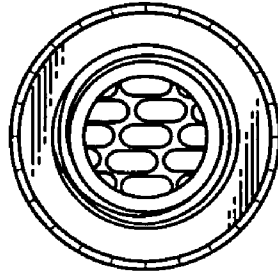


FIG. 6

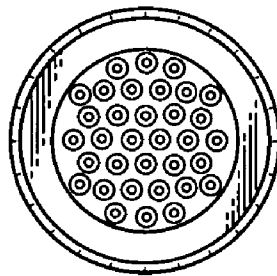


FIG. 7

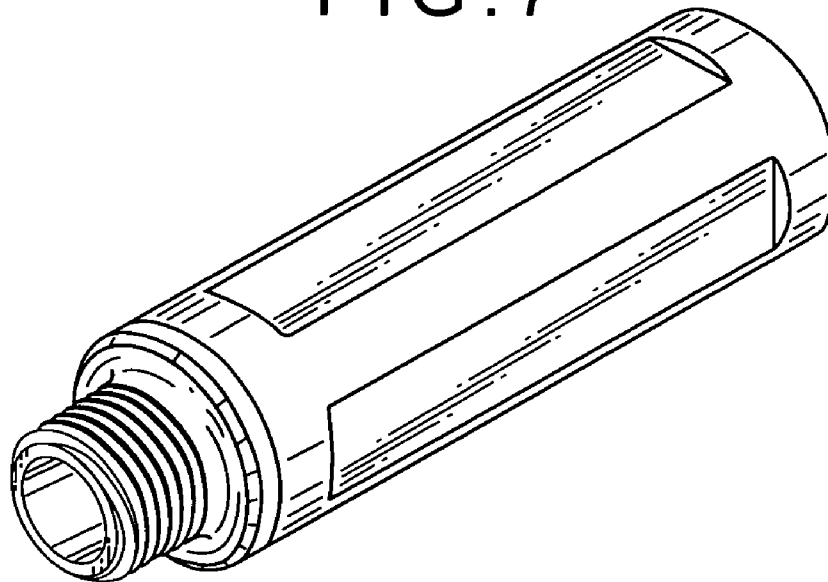


FIG. 8

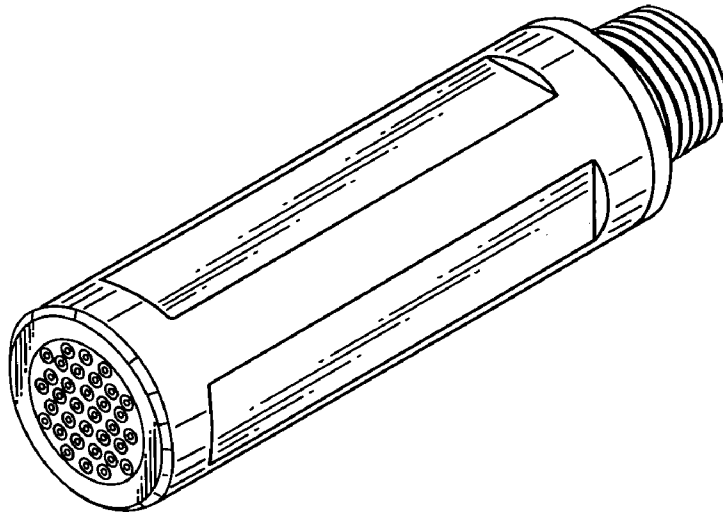


FIG. 9

