



US00D910094S

(12) **United States Design Patent**
Zeiner et al.

(10) **Patent No.:** **US D910,094 S**

(45) **Date of Patent:** **** Feb. 9, 2021**

(54) **CUTTING TOOL**

FOREIGN PATENT DOCUMENTS

(71) Applicant: **SUMITOMO ELECTRIC**
HARDMETAL CORP., Itami (JP)

KR 3010345740001 * 11/2019
KR 3010345740004 * 11/2019

(Continued)

(72) Inventors: **Christoph Zeiner**, Willich (DE);
Makoto Abe, Willich (DE); **Andreas**
Widmann, Willich (DE)

OTHER PUBLICATIONS

(73) Assignee: **SUMITOMO ELECTRIC**
HARDMETAL CORP., Itami (JP)

Sumiboron Binderless NCB100 _ Products _ Sumitomo Electric
Hardmetal, Earliest Available Date Oct. 31, 2018 [Online], [Site
Visited Sep. 15, 2020] Available From Internet, URL: <https://www.
sumitool.com/en/products/cutting-tools/cbn-pcd/ncb100.html> (Year:
2018).*

(**) Term: **15 Years**

Primary Examiner — Sandra Snapp

(21) Appl. No.: **29/682,820**

Assistant Examiner — Donald B Rose, Jr.

(22) Filed: **Mar. 8, 2019**

(74) *Attorney, Agent, or Firm* — Faegre Drinker Biddle &
Reath LLP

(30) **Foreign Application Priority Data**

(57) **CLAIM**

Sep. 11, 2018 (JP) 2018-019806
Sep. 11, 2018 (JP) 2018-019807

The ornamental design for a cutting tool, as shown and
described.

(Continued)

DESCRIPTION

(51) **LOC (13) Cl.** **15-09**

(52) **U.S. Cl.**
USPC **D15/139**; D15/77; D15/133; D15/138

(58) **Field of Classification Search**
USPC D15/77, 133, 138, 139, 127; D8/66, 20,
D8/64, 65, 70; 144/176, 218, 231, 235,
144/241, 294; 83/840; 241/194, 294
(Continued)

FIG. 1 is a front view of a cutting tool of the present design;
FIG. 2 is a rear view thereof;
FIG. 3 is a right side view thereof;
FIG. 4 is a left side view thereof;
FIG. 5 is a top view thereof;
FIG. 6 is a bottom view thereof;
FIG. 7 is a first perspective view thereof;
FIG. 8 is a second perspective view thereof;
FIG. 9 is a third perspective view thereof;
FIG. 10 is a first referential view showing the state in use
thereof; and,
FIG. 11 is a second referential view showing the state in use
thereof.

(56) **References Cited**

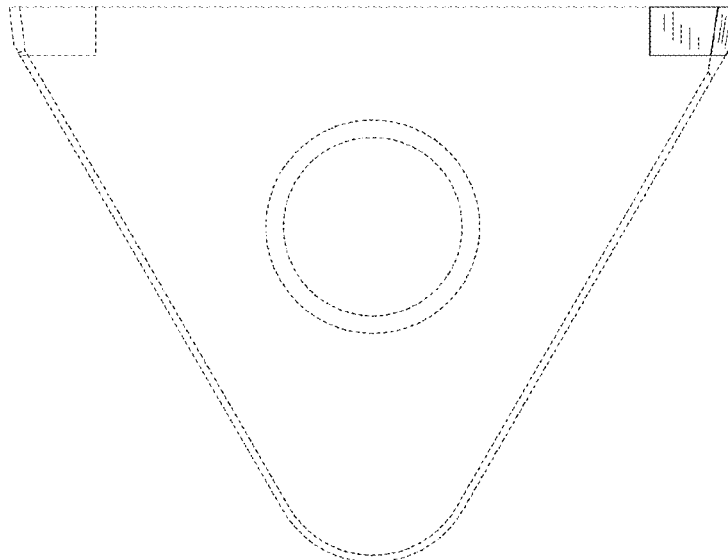
U.S. PATENT DOCUMENTS

861,768 A * 7/1907 Remsberg B23B 27/16
407/80
5,707,185 A * 1/1998 Mizutani B23C 5/06
407/42

The broken lines shown in the drawings represent portions
of the cutting tool that form no part of the claimed design.

(Continued)

1 Claim, 6 Drawing Sheets



(30) **Foreign Application Priority Data**

Sep. 11, 2018 (JP) 2018-019808
 Sep. 11, 2018 (JP) 2018-019809
 Sep. 11, 2018 (JP) 2018-019810

(58) **Field of Classification Search**

CPC A01G 23/067; B02C 4/305; B02C 7/12;
 B02C 18/18; B02C 13/28; B02C 13/2804;
 B27G 13/00; B27G 13/10; B27L 11/00;
 B23B 35/00; B23B 35/109; B23B 35/207;
 B23B 27/16; B23C 5/00; B23C 5/109;
 B23C 5/207

See application file for complete search history.

(56) **References Cited**

U.S. PATENT DOCUMENTS

5,712,030 A * 1/1998 Goto B23B 27/145
 407/119
 D485,852 S * 1/2004 Arvidsson D15/139
 6,712,105 B1 * 3/2004 Cannon B27G 13/005
 144/218
 D538,127 S * 3/2007 Watanabe D15/139
 D628,218 S * 11/2010 Tommassini D15/138
 D654,101 S * 2/2012 Dale D15/127
 D664,168 S * 7/2012 Okamura D15/139
 D755,266 S * 5/2016 Tomoda D15/139
 D772,316 S * 11/2016 Johnson D15/139
 D779,297 S * 2/2017 Scimone D8/20
 D796,923 S * 9/2017 Scimone D8/20
 D799,572 S * 10/2017 Kanada D15/139

D799,573 S * 10/2017 Tomoda D15/139
 D809,031 S * 1/2018 Burton E21C 35/183
 D15/139
 D820,329 S * 6/2018 Kanada D15/139
 10,010,940 B2 * 7/2018 Hirano B22F 7/062
 D841,704 S * 2/2019 Maeda D15/139
 D850,503 S * 6/2019 Kukino D15/139
 D854,592 S * 7/2019 Matsuda D15/139
 D857,771 S * 8/2019 Maeda D15/139
 D861,755 S * 10/2019 Maeda D15/139
 D862,540 S * 10/2019 Maeda D15/139
 D862,541 S * 10/2019 Maeda D15/139
 D862,542 S * 10/2019 Maeda D15/139
 D862,543 S * 10/2019 Maeda D15/139
 D879,848 S * 3/2020 Kinoshita D15/139
 10,632,542 B2 * 4/2020 Harada B23C 5/165
 D894,982 S * 9/2020 Nagafuchi D15/139
 2015/0125223 A1 * 5/2015 Morrison B23B 27/16
 407/5
 2019/0151964 A1 * 5/2019 Men B23C 5/207
 2019/0262907 A1 * 8/2019 Kusuda B23B 27/22
 2019/0351492 A1 * 11/2019 Shiroma B23C 5/207
 2020/0122242 A1 * 4/2020 Honey B23B 47/287
 2020/0206827 A1 * 7/2020 Zhang B23C 5/109
 2020/0269325 A1 * 8/2020 Zhao B23C 5/109
 2020/0282466 A1 * 9/2020 Ikeda B23B 27/1603
 2020/0282467 A1 * 9/2020 Jiang B23B 27/1611

FOREIGN PATENT DOCUMENTS

KR 3010345740005 * 11/2019
 KR 3010345740003 * 12/2019
 KR 3010345740002 * 2/2020

* cited by examiner

FIG.1

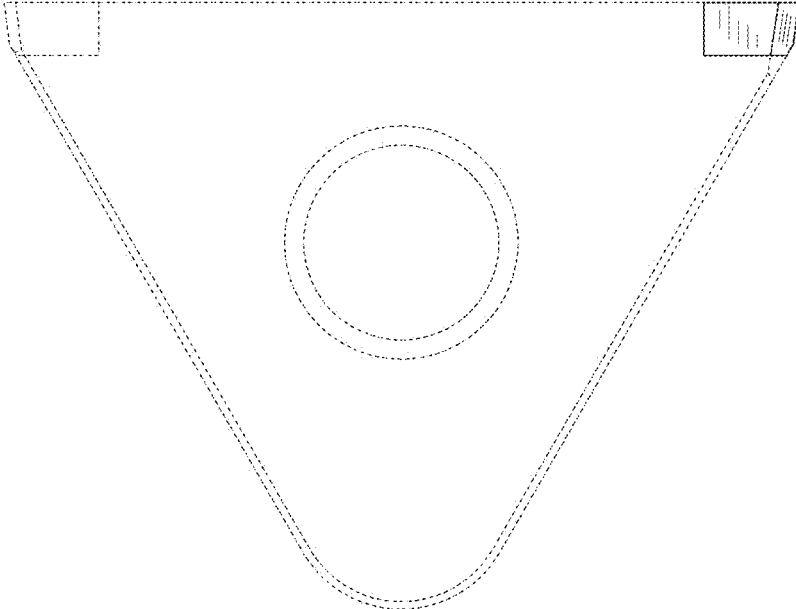


FIG.2

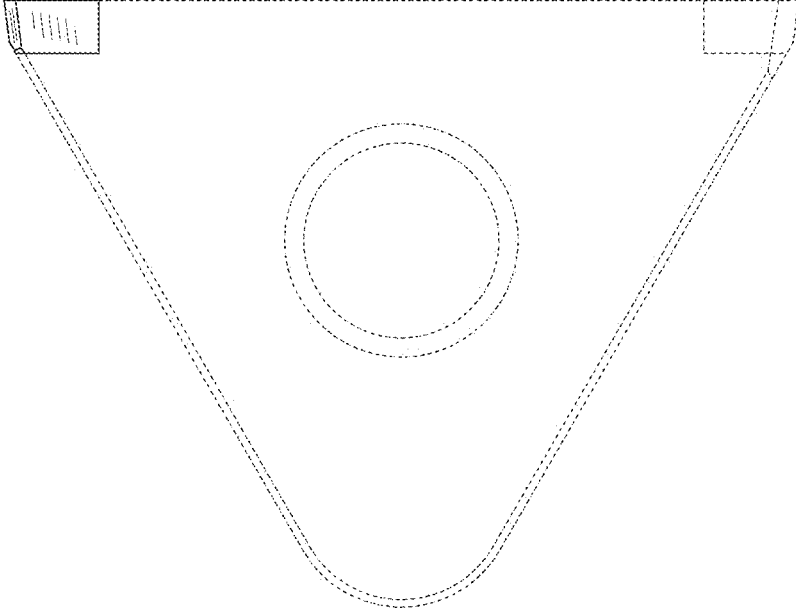


FIG.3

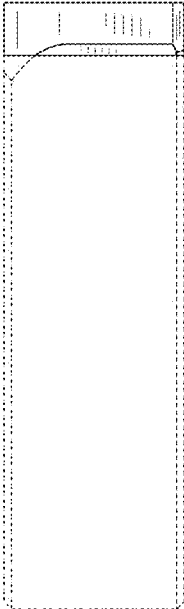


FIG.4



FIG.5



FIG.6



FIG.7

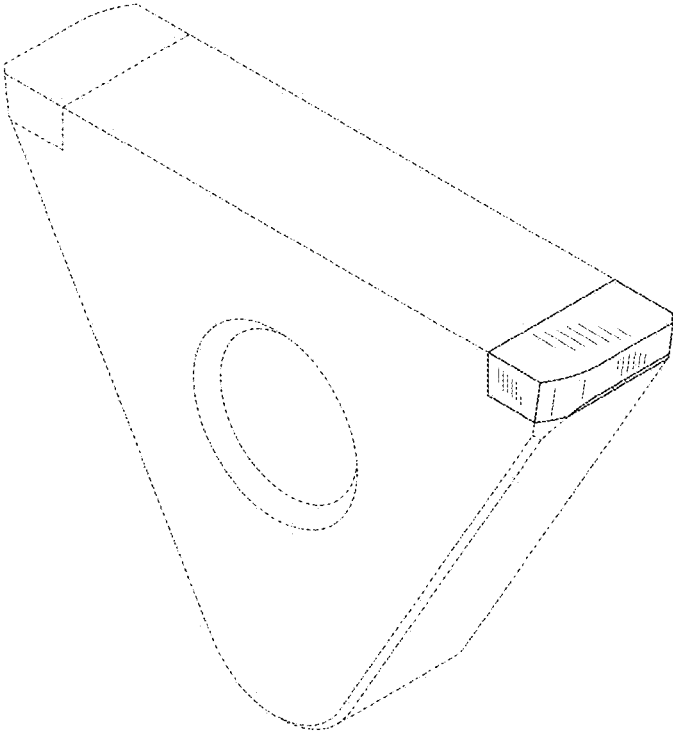


FIG.8

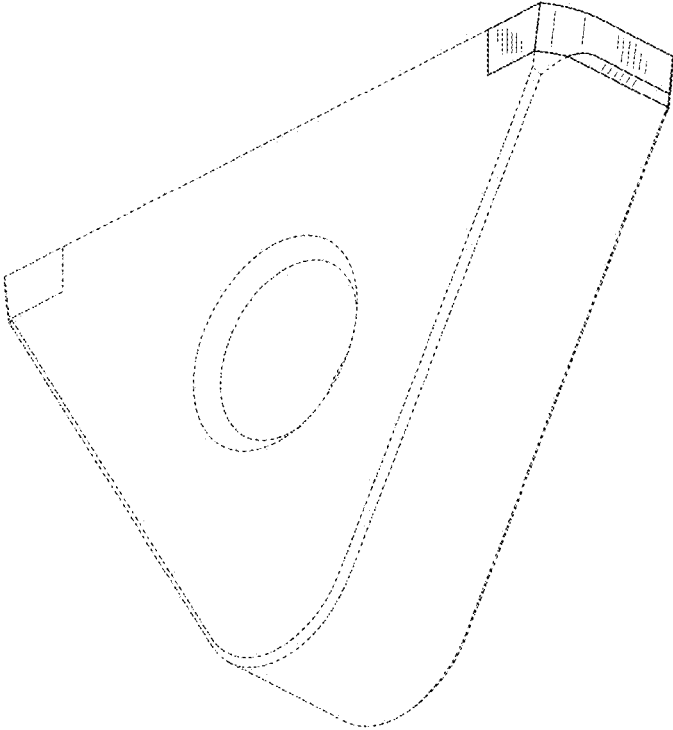


FIG.9

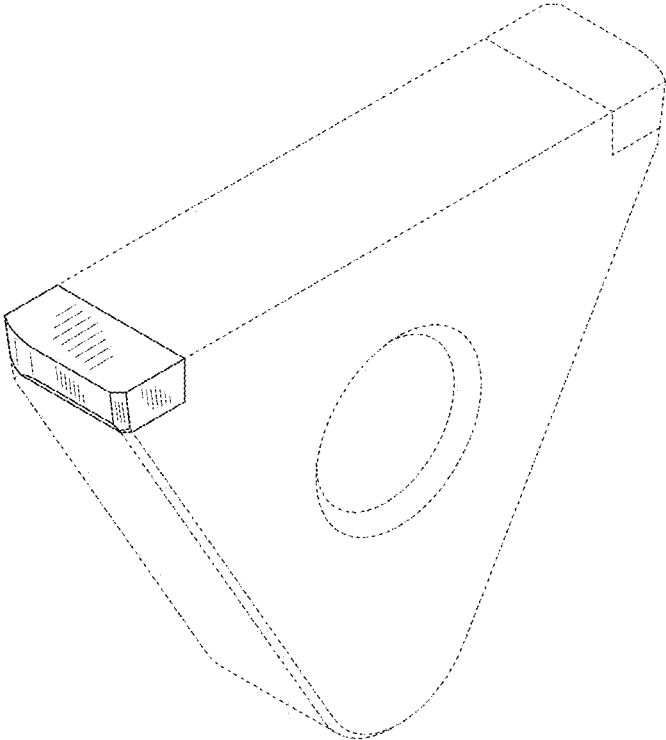


FIG.10

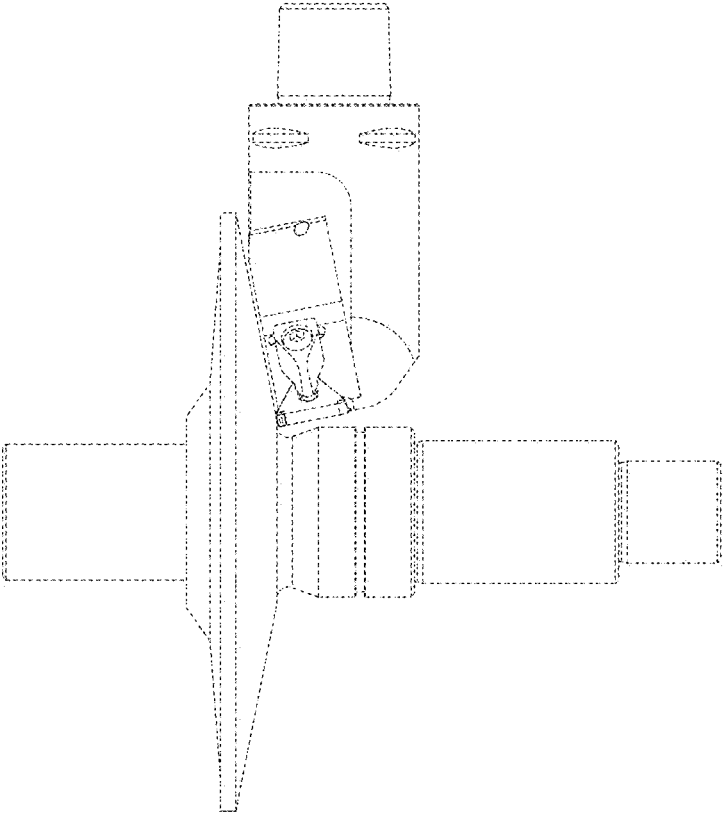


FIG.11

