

(19) World Intellectual Property Organization
International Bureau



(43) International Publication Date
7 February 2008 (07.02.2008)

PCT

(10) International Publication Number
WO 2008/016238 A3

- (51) International Patent Classification:
F03D 3/04 (2006.01) F03G 7/10 (2006.01)
- (21) International Application Number:
PCT/KR2007/003616
- (22) International Filing Date: 27 July 2007 (27.07.2007)
- (25) Filing Language: English
- (26) Publication Language: English
- (30) Priority Data:
10-2006-0072271 31 July 2006 (31.07.2006) KR
- (71) Applicant and
(72) Inventor: SHIN, Deok-Ho [KR/KR]; Greenvil 705ho,
#1601-2 Seocho-dong, Seocho-gu, Seoul 137-070 (KR).
- (74) Agents: KIM, Seok-Yun et al.; RM.202 Hwain B/D,
#824-29, Yoksam-dong, Kangnam-ku, Seoul 135-080
(KR).
- (81) Designated States (unless otherwise indicated, for every
kind of national protection available): AE, AG, AL, AM,

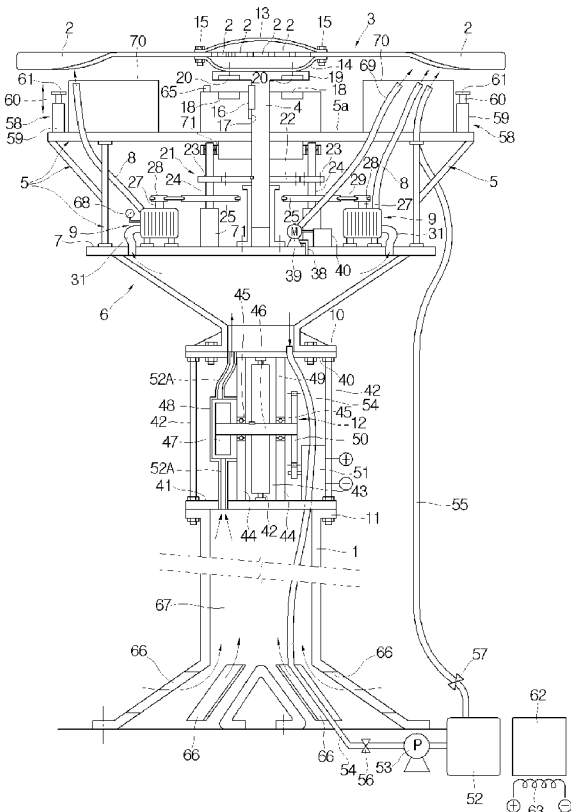
AT, AU, AZ, BA, BB, BG, BH, BR, BW, BY, BZ, CA, CH, CN, CO, CR, CU, CZ, DE, DK, DM, DO, DZ, EC, EE, EG, ES, FI, GB, GD, GE, GH, GM, GT, HN, HR, HU, ID, IL, IN, IS, JP, KE, KG, KM, KN, KP, KZ, LA, LC, LK, LR, LS, LT, LU, LY, MA, MD, ME, MG, MK, MN, MW, MX, MY, MZ, NA, NG, NI, NO, NZ, OM, PG, PH, PL, PT, RO, RS, RU, SC, SD, SE, SG, SK, SL, SM, SV, SY, TJ, TM, TN, TR, TT, TZ, UA, UG, US, UZ, VC, VN, ZA, ZM, ZW.

(84) Designated States (unless otherwise indicated, for every kind of regional protection available): ARIPO (BW, GH, GM, KE, LS, MW, MZ, NA, SD, SL, SZ, TZ, UG, ZM, ZW), Eurasian (AM, AZ, BY, KG, KZ, MD, RU, TJ, TM), European (AT, BE, BG, CH, CY, CZ, DE, DK, EE, ES, FI, FR, GB, GR, HU, IE, IS, IT, LT, LU, LV, MC, MT, NL, PL, PT, RO, SE, SI, SK, TR), OAPI (BF, BJ, CF, CG, CI, CM, GA, GN, GQ, GW, ML, MR, NE, SN, TD, TG).

Published:
— with international search report

(88) Date of publication of the international search report:
19 June 2008

(54) Title: ARTIFICIAL ATMOSPHERE DIFFERENCE INDUCTION TYPE WIND POWER GENERATOR



(57) Abstract: An artificial atmosphere difference induction type wind power generator is disclosed, which is able to generate a good quality of power and much power by driving a turbine (47) with an artificially generated wind in such a manner that an artificial pressure difference is made between the upper and lower sides irrespective of wind force and wind direction for thereby inducing the flow of air. The large size and heavy windmill blade-unit (3) can easily rotate with even less wind speed energy, so that an artificial pressure difference is induced for thereby generating large power. Blade-unit (3) is driven by natural wind as well as artificially created wind. Blowers (9) mounted on frame-like structure (5) on top of Venturi-tube (52a, 6) create an artificial vertical air-flow, which drives blade-unit (3) additionally to natural wind. Moreover, artificial air-flow drives turbine (47) and consequently generator (51) mounted in the narrow section of Venturi-tube (52a, 6). Vertical shaft (4) of blade-unit (3), on the other hand, is supposed to drive blowers (9), which is supposed to create an even stronger artificial wind acting on blade-unit. For this purpose shaft (4) and blowers (9) are connected by gear (21). During the start-up phase of the device shaft (4) is driven by motor (32) acting on driving gear (22) of shaft (4).

WO 2008/016238 A3

INTERNATIONAL SEARCH REPORT

International application No.
PCT/KR 2007/003616

A. CLASSIFICATION OF SUBJECT MATTER IPC ⁸ : F03D 3/04 (2006.01); F03G 7/10 (2006.01) According to International Patent Classification (IPC) or to both national classification and IPC		
B. FIELDS SEARCHED		
Minimum documentation searched (classification system followed by classification symbols) IPC ⁸ : F03D, F03G		
Documentation searched other than minimum documentation to the extent that such documents are included in the fields searched		
Electronic data base consulted during the international search (name of data base and, where practicable, search terms used) EPODOC, WPI		
C. DOCUMENTS CONSIDERED TO BE RELEVANT		
Category*	Citation of document, with indication, where appropriate, of the relevant passages	Relevant to claim No.
Y	KR 2006 - 046 853 A (SHIN) 18 May 2006 (18.05.2006) <i>Fig. 1, 5, description of figures - English translation retrieved online on 2008-03-10 from the Korean Patent Information Online Network (http://kposd.kipo.go.kr:8088/up/kpion/)</i>	1
	--	
Y	JP 2001 - 099 046 A (SUGIYAMA MINORU) 10 April 2001 (10.04.2001) <i>Fig. 1, 9, EPODOC-Abstract - retrieved online on 2008-03-10 via Epoque from the EPODOC Database</i>	1

<input type="checkbox"/> Further documents are listed in the continuation of Box C. <input checked="" type="checkbox"/> See patent family annex.		
* Special categories of cited documents: "A" document defining the general state of the art which is not considered to be of particular relevance "E" earlier application or patent but published on or after the international filing date "L" document which may throw doubts on priority claim(s) or which is cited to establish the publication date of another citation or other special reason (as specified) "O" document referring to an oral disclosure, use, exhibition or other means "P" document published prior to the international filing date but later than the priority date claimed "T" later document published after the international filing date or priority date and not in conflict with the application but cited to understand the principle or theory underlying the invention "X" document of particular relevance; the claimed invention cannot be considered novel or cannot be considered to involve an inventive step when the document is taken alone "Y" document of particular relevance; the claimed invention cannot be considered to involve an inventive step when the document is combined with one or more other such documents, such combination being obvious to a person skilled in the art "&" document member of the same patent family		
Date of the actual completion of the international search 10 March 2008 (10.03.2008)		Date of mailing of the international search report 19 March 2008 (19.03.2008)
Name and mailing address of the ISA/ AT Austrian Patent Office Dresdner Straße 87, A-1200 Vienna Facsimile No. +43 / 1 / 534 24 / 535		Authorized officer EHRENDORFER K. Telephone No. +43 / 1 / 534 24 / 367

INTERNATIONAL SEARCH REPORT

Information on patent family members

International application No.

PCT/KR2007/003616

Patent document cited in search report			Patent family member(s)			
Publication date			Publication date			
KR	A	20060046853	KR	A	20060046853	2006-05-18
JP	A	2001099046	JP	A	2001099046	2001-04-10