



US00D384782S

United States Patent [19]

[11] Patent Number: Des. 384,782

Gefter

[45] Date of Patent: **Oct. 7, 1997

[54] SWIMMING POOL CLEANER HOUSING

4,776,953 10/1988 Frentzel .

5,105,496 4/1992 Gray, Jr. et al. .

[75] Inventor: Alexander A. Gefter, San Francisco, Calif.

5,351,355 10/1994 Chiniara D32/21

5,412,826 5/1995 Raubenheimer .

[73] Assignee: H-Tech, Inc., Wilmington, Del.

Primary Examiner—Ruth McInroy
Attorney, Agent, or Firm—Selitto & Associates

[**] Term: 14 Years

[57] CLAIM

[21] Appl. No.: 46,744

The ornamental design for a swimming pool cleaner housing, as shown and described.

[22] Filed: Oct. 31, 1995

DESCRIPTION

[51] LOC (6) Cl. 15-05

[52] U.S. Cl. D32/21; D32/1

[58] Field of Search D32/1, 25, 21;
210/169, 416.2, 167 R; 134/167 R

FIG. 1 is a rear perspective view of a swimming pool cleaner housing showing my new design;

FIG. 2 is a rear elevational view thereof;

FIG. 3 is a top plan view thereof;

FIG. 4 is a front elevational view thereof;

FIG. 5 is a left side elevational view, the right side being a mirror image of FIG. 5; and

FIG. 6 is a bottom plan view thereof.

[56] References Cited

U.S. PATENT DOCUMENTS

D. 304,505 11/1989 Maier et al. D32/1

D. 325,452 4/1992 Gefter D32/21

D. 361,178 8/1995 Piret D32/21

D. 376,450 12/1996 Campbell et al. D32/1

1 Claim, 3 Drawing Sheets

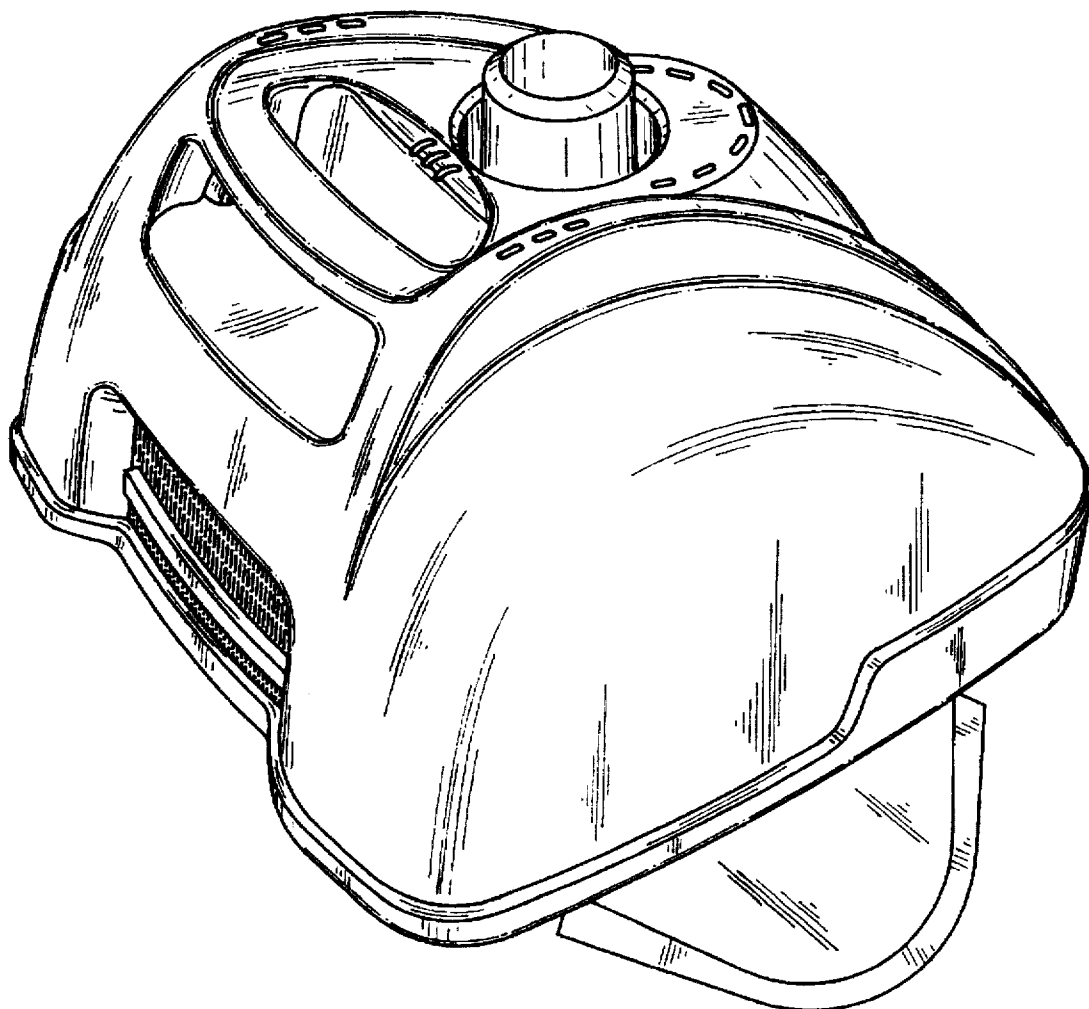


FIG. 1

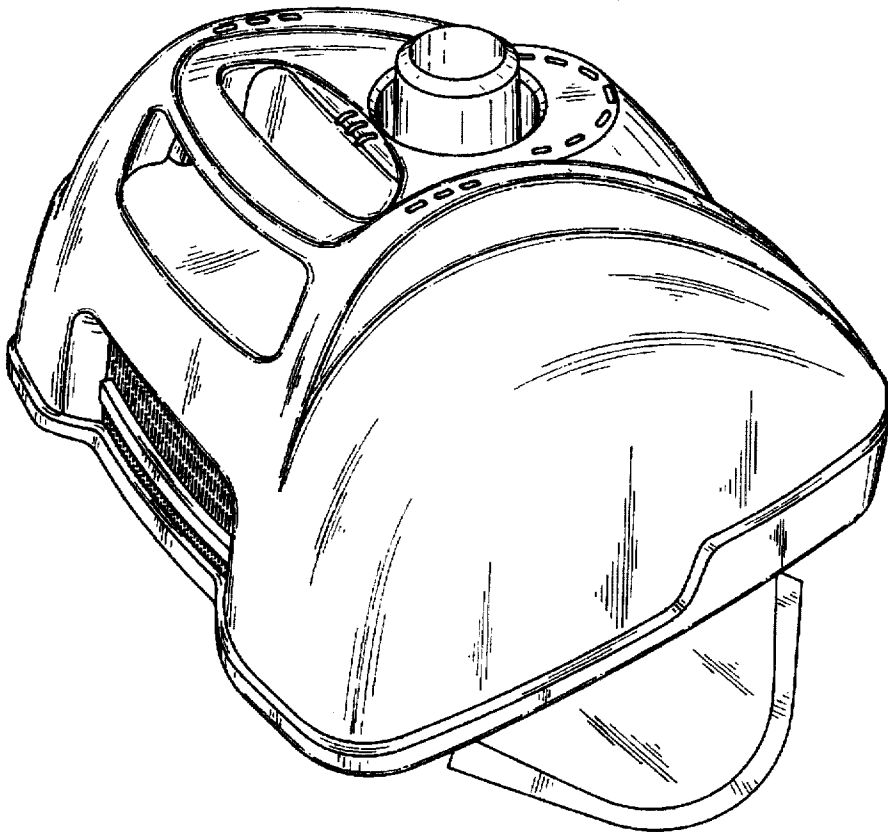


FIG. 2

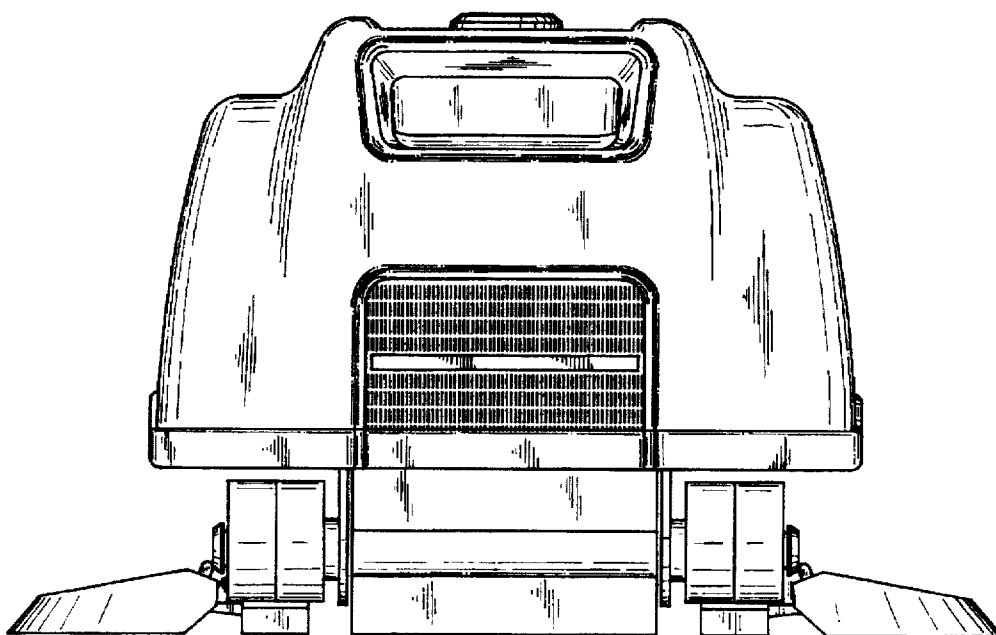


FIG. 3

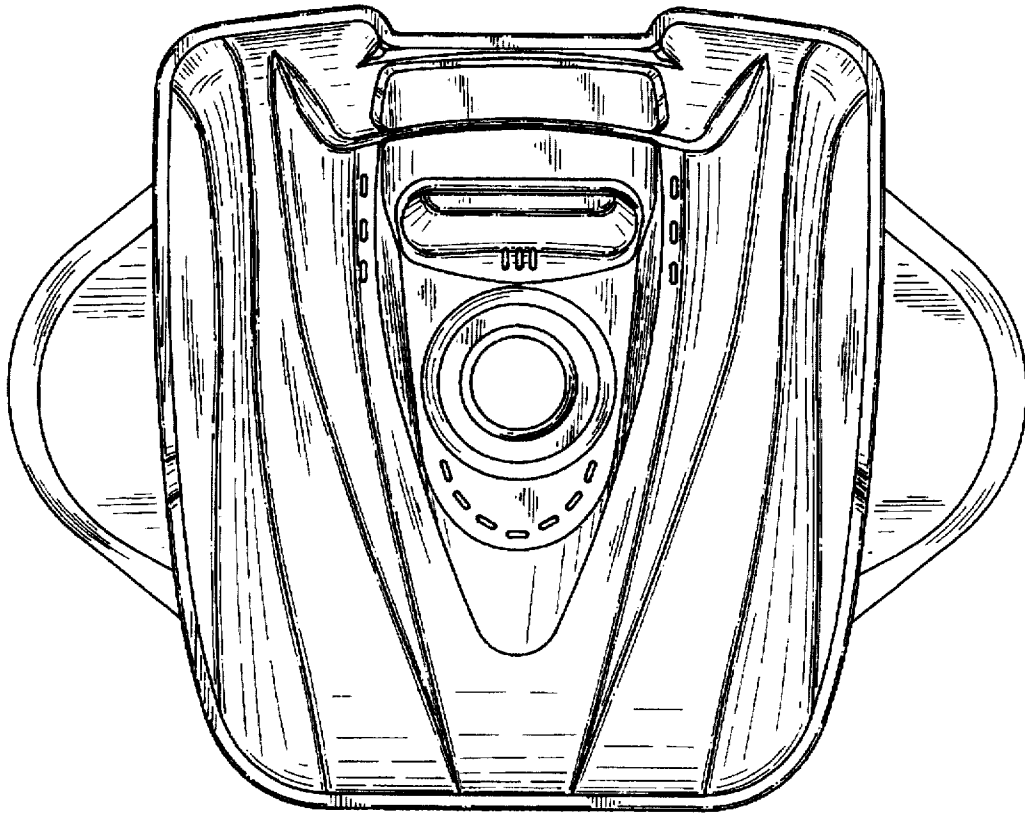


FIG. 4

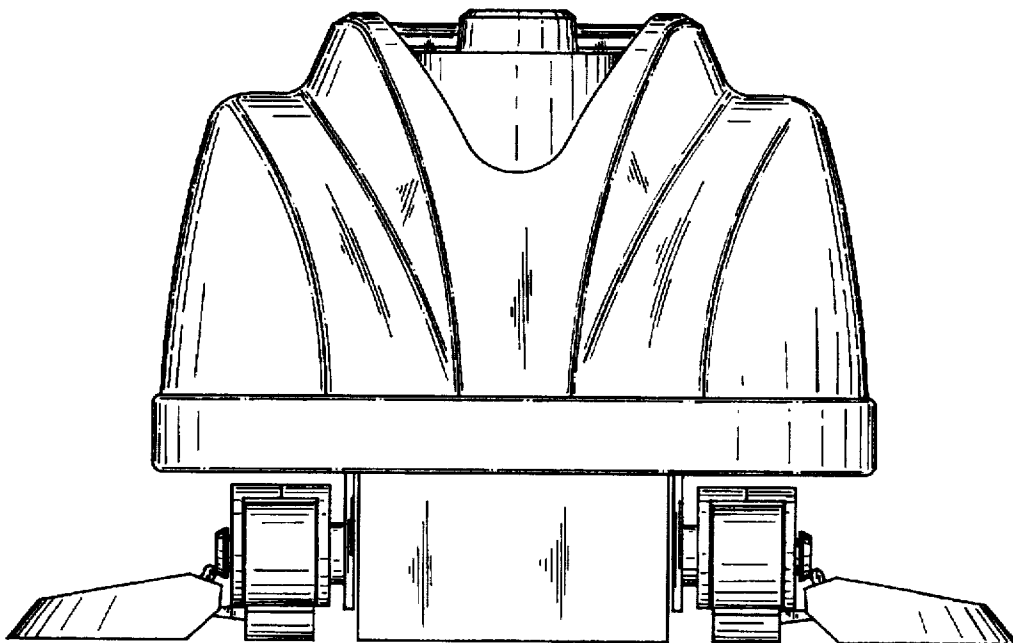


FIG. 5

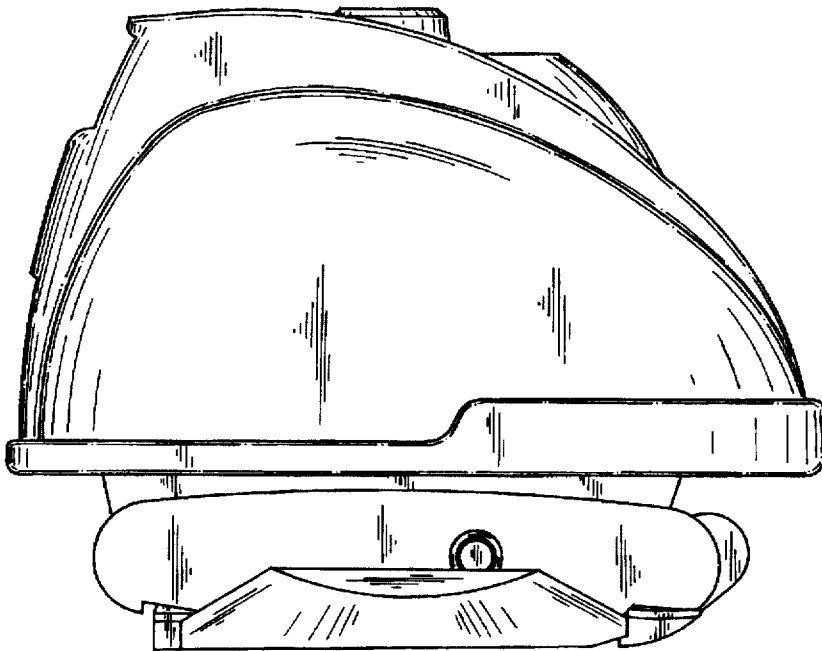


FIG. 6

