



US0D1036610S

(12) **United States Design Patent**  
**Tolczyk et al.**

(10) **Patent No.:** **US D1,036,610 S**

(45) **Date of Patent:** **\*\* \*Jul. 23, 2024**

(54) **GUN SIGHT**

(71) Applicant: **Dariusz Tolczyk**, Bialystok (PL)

(72) Inventors: **Dariusz Tolczyk**, Bialystok (PL); **Piotr Tolczyk**, Bialystok (PL)

(73) Assignee: **Dariusz Tolczyk**, Bialystok (PL)

(\* ) Notice: This patent is subject to a terminal disclaimer.

(\*\*) Term: **15 Years**

(21) Appl. No.: **29/804,905**

(22) Filed: **Aug. 23, 2021**

(30) **Foreign Application Priority Data**

Jul. 21, 2021 (EM) ..... 008625941-0001

(51) **LOC (14) Cl.** ..... **22-01**

(52) **U.S. Cl.**  
USPC ..... **D22/109**

(58) **Field of Classification Search**  
USPC ..... D22/108, 109, 110, 199  
CPC ..... F41G 1/16; F41G 1/02; F41G 1/06; F41G 1/14; F41G 1/40; F41G 11/003  
See application file for complete search history.

(56) **References Cited**

**U.S. PATENT DOCUMENTS**

3,834,035	A	*	9/1974	Merrill	.....	F41G 1/08 42/133
D611,113	S	*	3/2010	Kay	.....	D22/109
D619,195	S	*	7/2010	Bengtsson	.....	D22/110
D638,902	S	*	5/2011	Emde	.....	D22/109
D662,170	S	*	6/2012	Keng	.....	D22/109

D669,554	S	*	10/2012	Warren	.....	D22/109
D739,913	S	*	9/2015	Nevils	.....	D22/109
D760,863	S	*	7/2016	Wallgren	.....	D22/109
D802,697	S	*	11/2017	Dueck	.....	D22/108
D835,748	S	*	12/2018	Stewart	.....	D22/110
D838,804	S	*	1/2019	Hillman	.....	D22/109
D895,053	S	*	9/2020	Warren	.....	D22/109
D921,816	S	*	6/2021	Lee	.....	D22/108
D974,519	S	*	1/2023	Liu	.....	D22/110
D1,015,476	S	*	2/2024	Tolczyk	.....	D22/109
2017/0248389	A1	*	8/2017	DiCarlo	.....	F41G 11/007
2018/0087871	A1	*	3/2018	Toner	.....	F41G 1/16
2022/0244018	A1	*	8/2022	Clermont	.....	F41G 1/16
2023/0011632	A1	*	1/2023	Salinas	.....	F41G 1/30

**OTHER PUBLICATIONS**

“Setting Your Sights” [online]. Will Dabbs, MD. [Retrieved on Mar. 25, 2023]. Retrieved from the Internet: <<https://americanhandgunner.com/gear/setting-your-sights/>>.\*

\* cited by examiner

*Primary Examiner* — Mojtaba Tehrani  
(74) *Attorney, Agent, or Firm* — Andrzej Malarz, Esq.

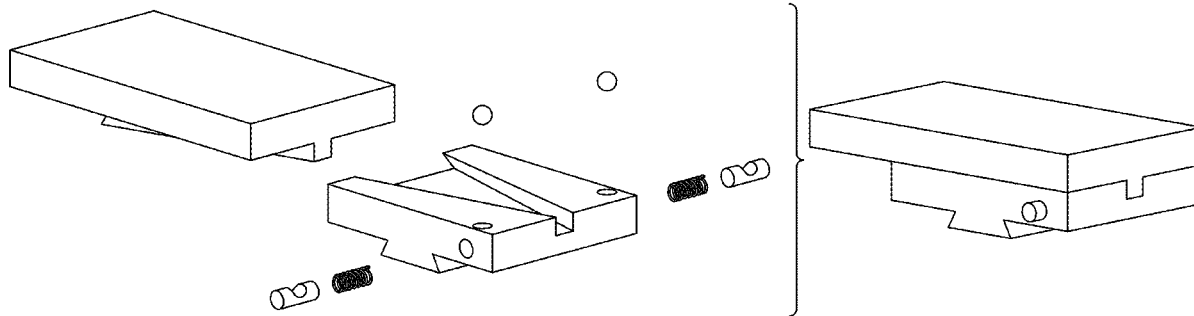
(57) **CLAIM**

The ornamental design for a gun sight, as shown and described.

**DESCRIPTION**

FIG. 1 is an exploded front, top, right side, perspective view of a gun sight showing our new design;  
FIG. 2 is a rear top left side perspective view thereof;  
FIG. 3 is a left side elevation view thereof; a right side elevation view is a mirror image thereof;  
FIG. 4 is a front elevation view thereof; and,  
FIG. 5 is a rear elevation view thereof.

**1 Claim, 5 Drawing Sheets**



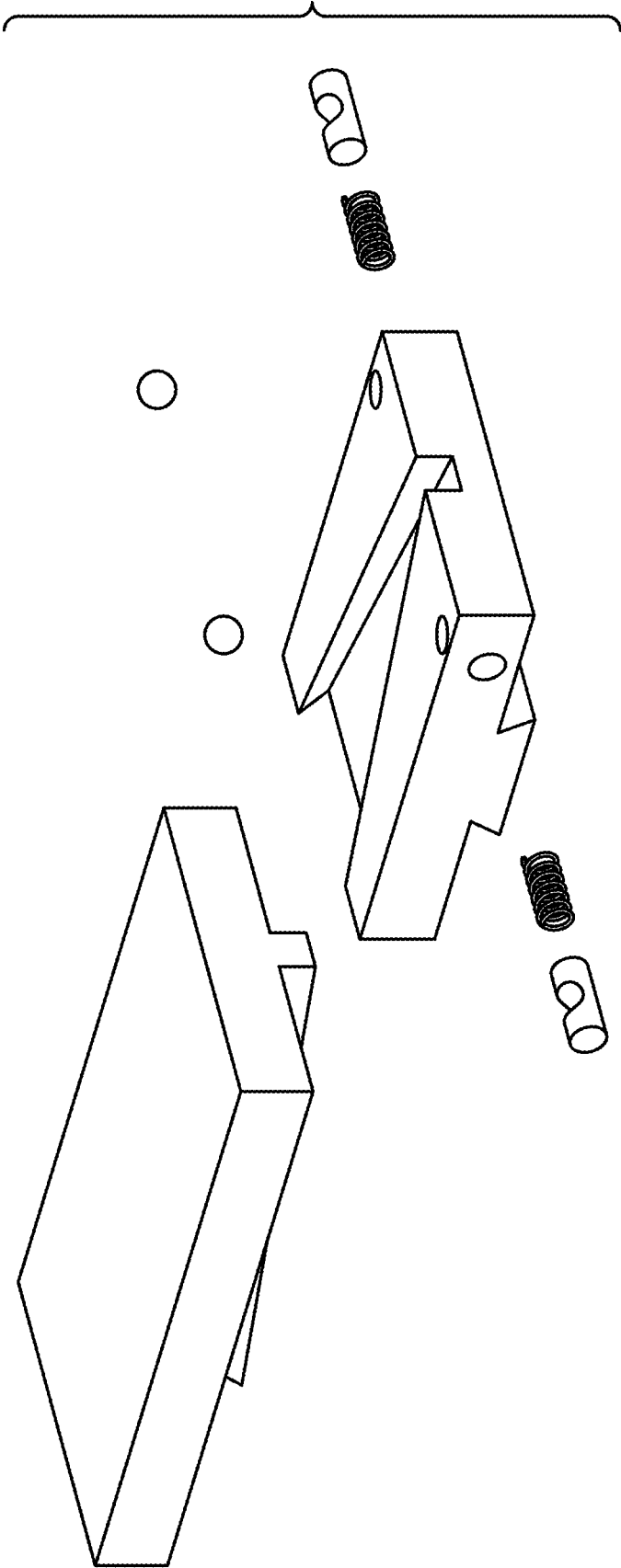


FIG.1

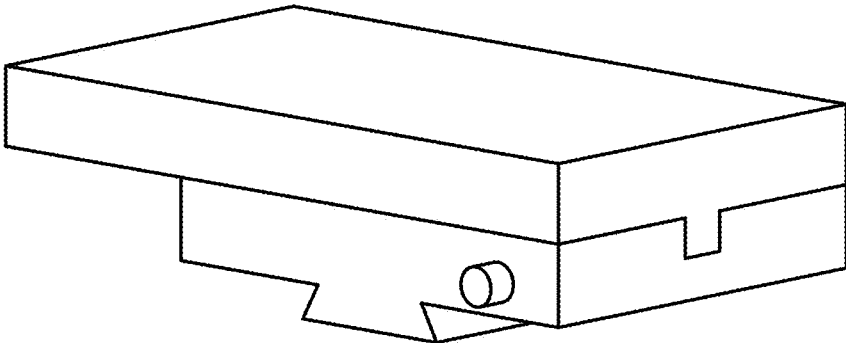


FIG.2

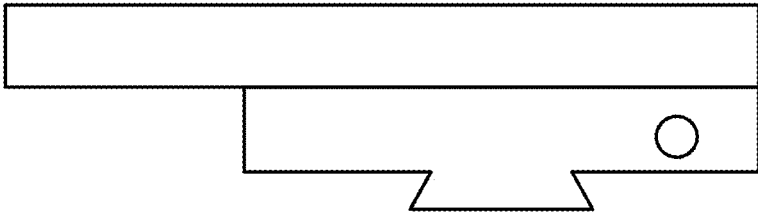


FIG.3

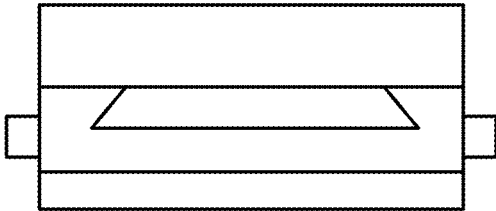


FIG.4

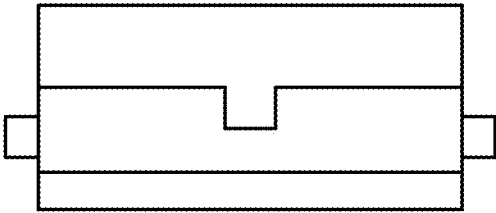


FIG.5