



US0D1003892S

(12) **United States Design Patent**  
**Perdigues**

(10) **Patent No.:** **US D1,003,892 S**

(45) **Date of Patent:** **\*\* Nov. 7, 2023**

(54) **ELECTRONIC DEVICE FOR MANAGING ORDERS IN RESTAURANTS**

(71) Applicant: **Swap Kitchen Order Pty Ltd,**  
Peregian Springs (AU)

(72) Inventor: **Kevin Perdigues,** Peregian Springs (AU)

(73) Assignee: **SWAP KITCHEN ORDER PTY LTD,**  
Peregian Springs (AU)

(\*\*) Term: **15 Years**

(21) Appl. No.: **29/752,567**

(22) Filed: **Sep. 28, 2020**

(51) **LOC (14) Cl.** ..... **14-03**

(52) **U.S. Cl.**

USPC ..... **D14/336**

(58) **Field of Classification Search**

USPC ..... D14/126, 128, 129, 302-307, 336, 371,  
D14/900-902; D20/10; D21/324, 332,  
D21/325, 369

CPC ..... G06F 1/1601; G06F 1/605; G06F 1/162;  
G06Q 20/18; G06Q 20/10; G06Q 20/123;  
G06Q 20/20; G06Q 30/02; G06Q 30/06;  
A47F 9/047

See application file for complete search history.

(56) **References Cited**

**U.S. PATENT DOCUMENTS**

D607,940	S	*	1/2010	Goode	.....	D20/10
D647,971	S	*	11/2011	Browne	.....	D20/10
D657,421	S	*	4/2012	Yan	.....	D20/10
D669,938	S	*	10/2012	Lard	.....	D20/10
D698,867	S	*	2/2014	Hensley	.....	D21/385
D733,591	S	*	7/2015	Golden	.....	D10/50
D761,901	S	*	7/2016	Kim	.....	D14/371
D815,690	S	*	4/2018	Squillante	.....	D20/10

D869,412	S	*	12/2019	Spencer	.....	D14/126
D871,358	S	*	12/2019	Kim	.....	D14/126
D911,943	S	*	3/2021	Louis	.....	D13/108
D913,276	S	*	3/2021	Dunn	.....	D14/307
D913,277	S	*	3/2021	Dunn	.....	D14/307
D913,278	S	*	3/2021	Dunn	.....	D14/307
D958,235	S	*	7/2022	Eun	.....	D18/4.4
D962,926	S	*	9/2022	Zhong	.....	D14/341
D982,204	S	*	3/2023	Zhou	.....	D26/51

**OTHER PUBLICATIONS**

LG Introduces 86-inch 'Ultra Stretch' Seven-Foot-Long Ultra HD Signage Display, www.prnewswire.com, Mar. 17, 2016. https://www.prnewswire.com/news-releases/lg-introduces-86-inch-ultra-stretch-seven-foot-long-ultra-hd-signage-display-300237685.html (Year: 2016).\*

(Continued)

*Primary Examiner* — Llorellys Martinez

*Assistant Examiner* — Kwabena A. Ankobiah

(74) *Attorney, Agent, or Firm* — PETE ADAMS LAW, PLLC

(57) **CLAIM**

The ornamental design for an electronic device for managing orders in restaurants, as shown and described.

**DESCRIPTION**

FIG. 1 is a front right perspective view of an electronic device for managing orders in restaurants, showing my new design;

FIG. 2 is a rear right perspective view thereof;

FIG. 3 is a front view thereof, the rear view being a mirror image;

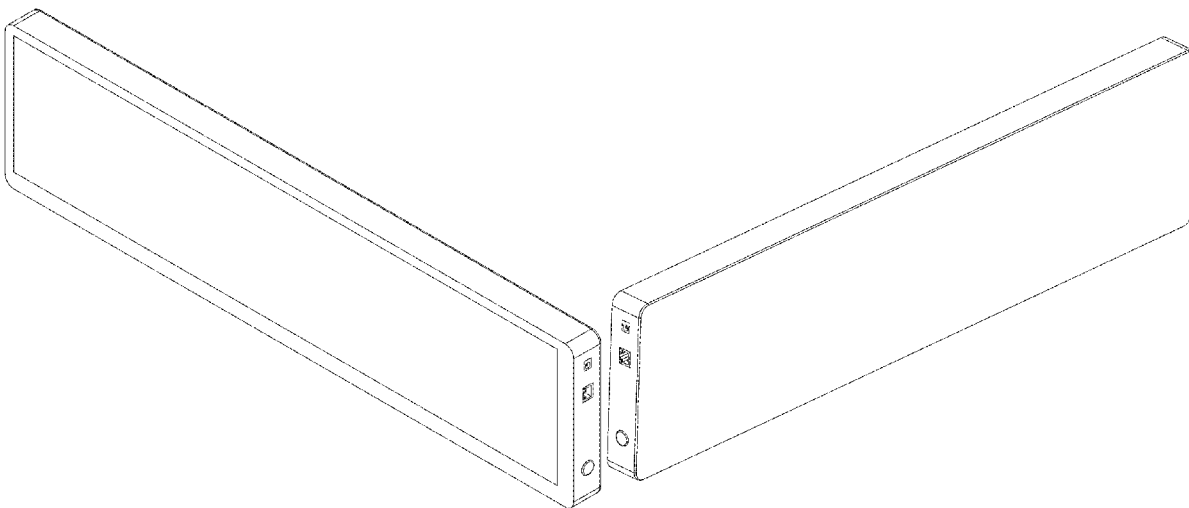
FIG. 4 is a top view thereof;

FIG. 5 is a bottom view thereof;

FIG. 6 is a left side view thereof; and,

FIG. 7 is a right side view thereof.

**1 Claim, 2 Drawing Sheets**



(56)

**References Cited**

OTHER PUBLICATIONS

LED Company Sign Double Sided. LED Light Box Sign Board. Custom text. Double sided Back lit signage board, [www.etsy.com](http://www.etsy.com), Aug. 8, 2019. <https://www.etsy.com/listing/679577894/led-company-sign-double-sided-led-light> Aug. 8, 2019 (Year: 2016).\*

Scrolling LED Signs Full Color 40" x8" with High Resolution, [www.amazon.com](http://www.amazon.com), Sep. 6, 2018. <https://www.amazon.com/Scrolling-Message-Display-Programmable-Business/dp/B07JFRKLPB?th=1> Sep. 6, 2018 (Year: 2018).\*

This is how your SKO 700 will look like !, [www.facebook.com](http://www.facebook.com), May 11, 2020. <https://www.facebook.com/skorder/photos/pb.100057075145363.-2207520000./111946033848623/?type=3> (Year: 2020).\*

\* cited by examiner

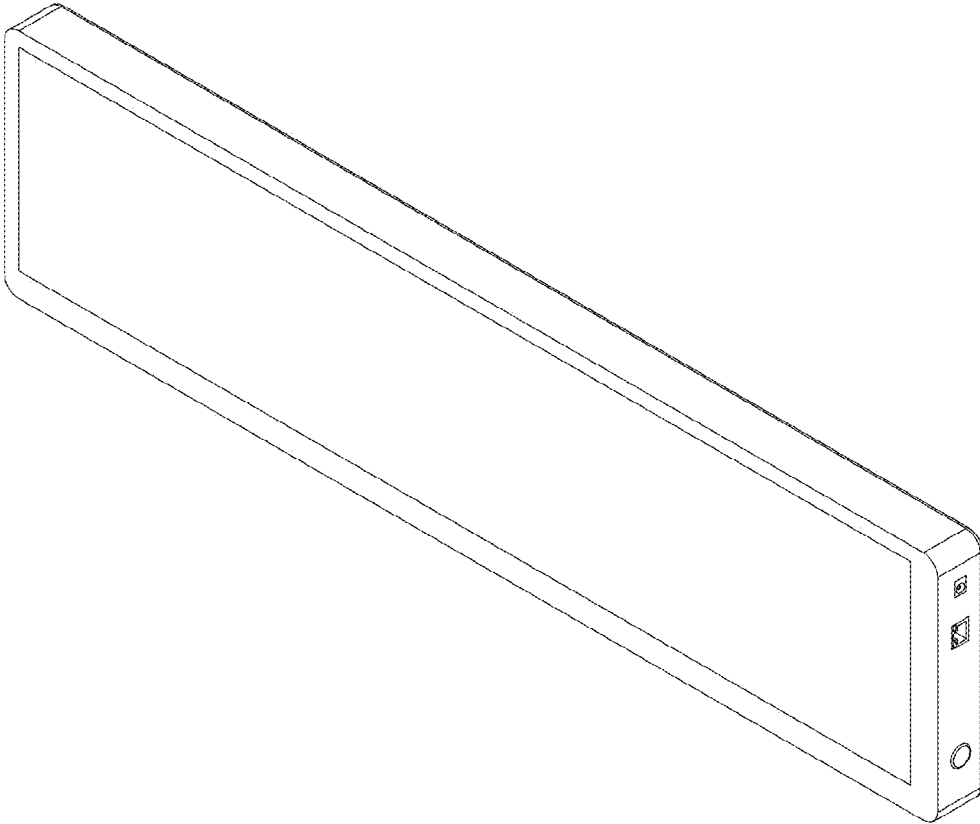


FIG. 1

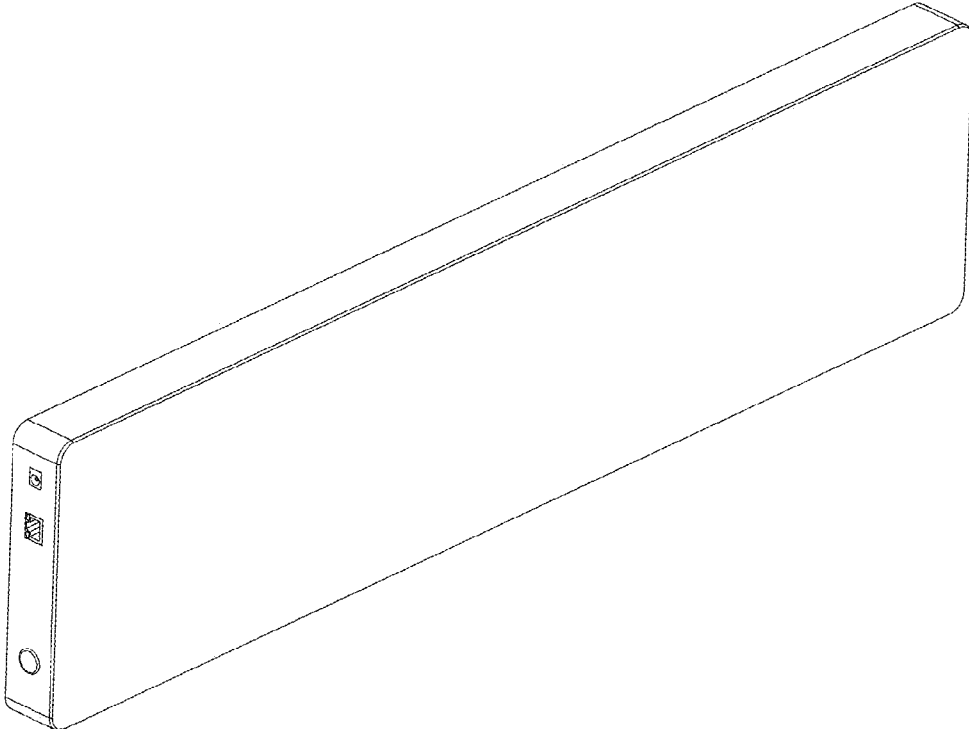


FIG. 2

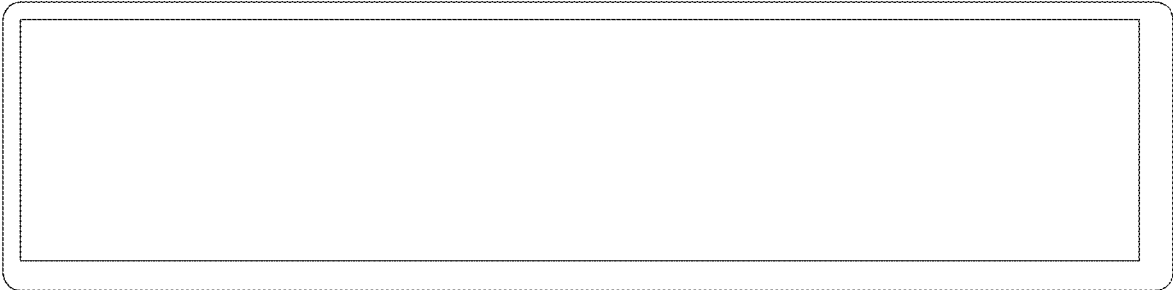


FIG.3



FIG.4



FIG.5



FIG.6

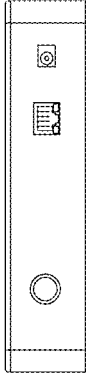


FIG.7