



US00D631476S

(12) **United States Design Patent**
Piedra et al.

(10) **Patent No.:** **US D631,476 S**

(45) **Date of Patent:** **** Jan. 25, 2011**

(54) **GAME GRIP**

(75) Inventors: **Christopher Piedra**, Hollywood, FL (US); **Edward Martin**, Hollywood, FL (US)

(73) Assignee: **Marware, Inc.**, Hollywood, FL (US)

(**) Term: **14 Years**

(21) Appl. No.: **29/323,344**

(22) Filed: **Aug. 22, 2008**

(51) **LOC (9) Cl.** **14-03**

(52) **U.S. Cl.** **D14/401; D21/333**

(58) **Field of Classification Search** D14/399-401, D14/413-416, 432, 217, 454-457; D21/324, D21/333, 329, 332; 273/148 B; 463/1, 29-47; 345/156-161, 905

See application file for complete search history.

(56) **References Cited**

U.S. PATENT DOCUMENTS

6,241,247	B1 *	6/2001	Sternberg et al.	273/148 B
6,342,009	B1 *	1/2002	Soma	463/38
D453,758	S *	2/2002	Han et al.	D14/401
6,923,443	B1 *	8/2005	Hughes, IV	273/148 B
D548,235	S *	8/2007	Krieger et al.	D14/401
D567,814	S *	4/2008	Zalewski et al.	D14/401
2008/0122173	A1 *	5/2008	Harris	273/148 B

* cited by examiner

Primary Examiner—Prabhakar Deshmukh
(74) *Attorney, Agent, or Firm*—Laurence A. Greenberg; Werner H. Stemer; Ralph E. Locher

(57) **CLAIM**

The ornamental design for a game grip, as shown and described.

DESCRIPTION

FIG. 1 is a front elevational view of a game grip showing our new design, with an insert in place for gripping s device and sides attached;

FIG. 2 is a top-plan view of the game grip of FIG. 1;

FIG. 3 is a bottom-plan view of the game grip of FIG. 1;

FIG. 4 is a right side-elevational view of the game grip of FIG. 1;

FIG. 5 is a left side-elevational view of the game grip of FIG. 1;

FIG. 6 is a rear-elevational view of the game grip of FIG. 1;

FIG. 7 is a front-perspective view of the game grip of FIG. 1 with the insert removed;

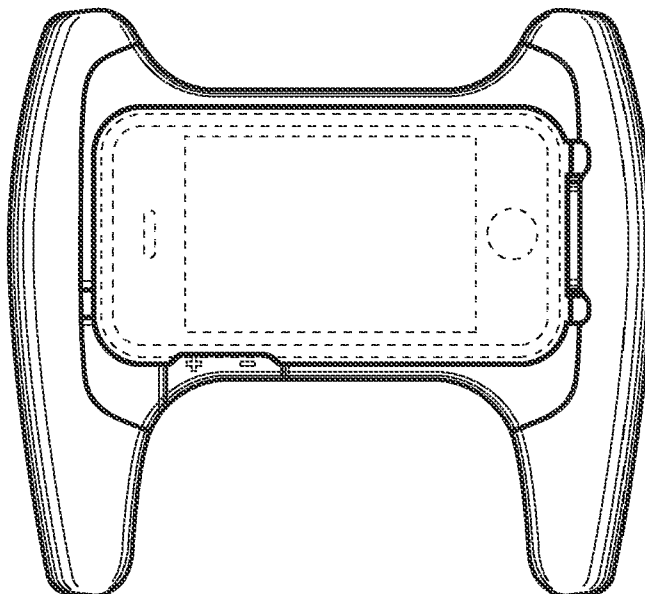
FIG. 8 is a rear-perspective view of the game grip of FIG. 1;

FIG. 9 is an exploded, rear-perspective view of the game grip of FIG. 1 with the side grips removed; and,

FIG. 10 is rear perspective view thereof, shown with a valve.

The broken lines showing of a valve in FIG. 10 is for illustrative purpose only and forms no part of the claimed design.

1 Claim, 4 Drawing Sheets



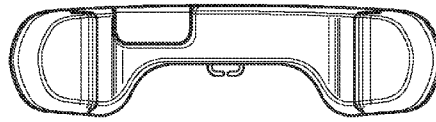


FIG. 2

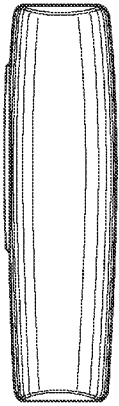


FIG. 5

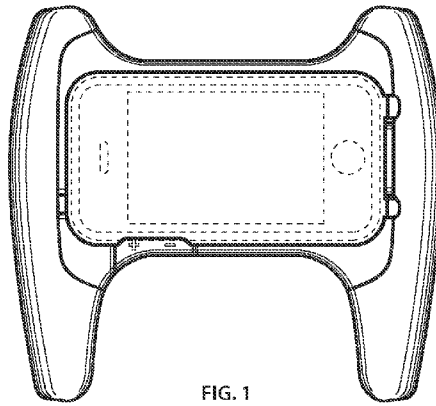


FIG. 1



FIG. 4

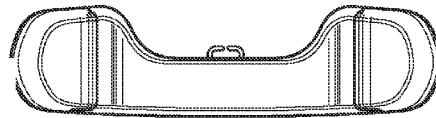


FIG. 3

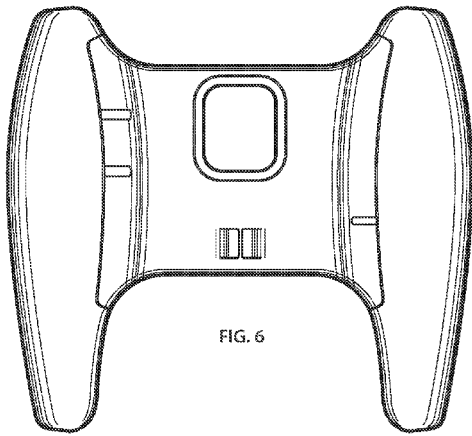


FIG. 6

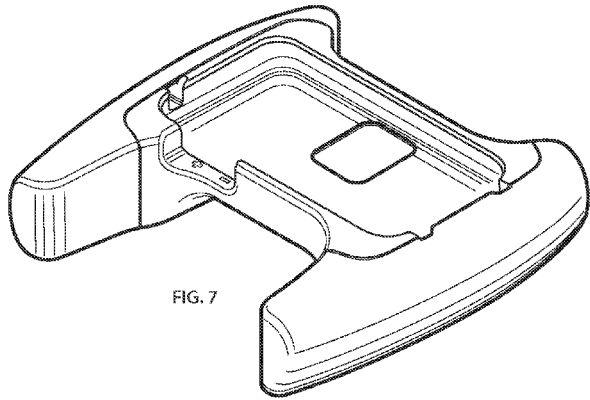


FIG. 7

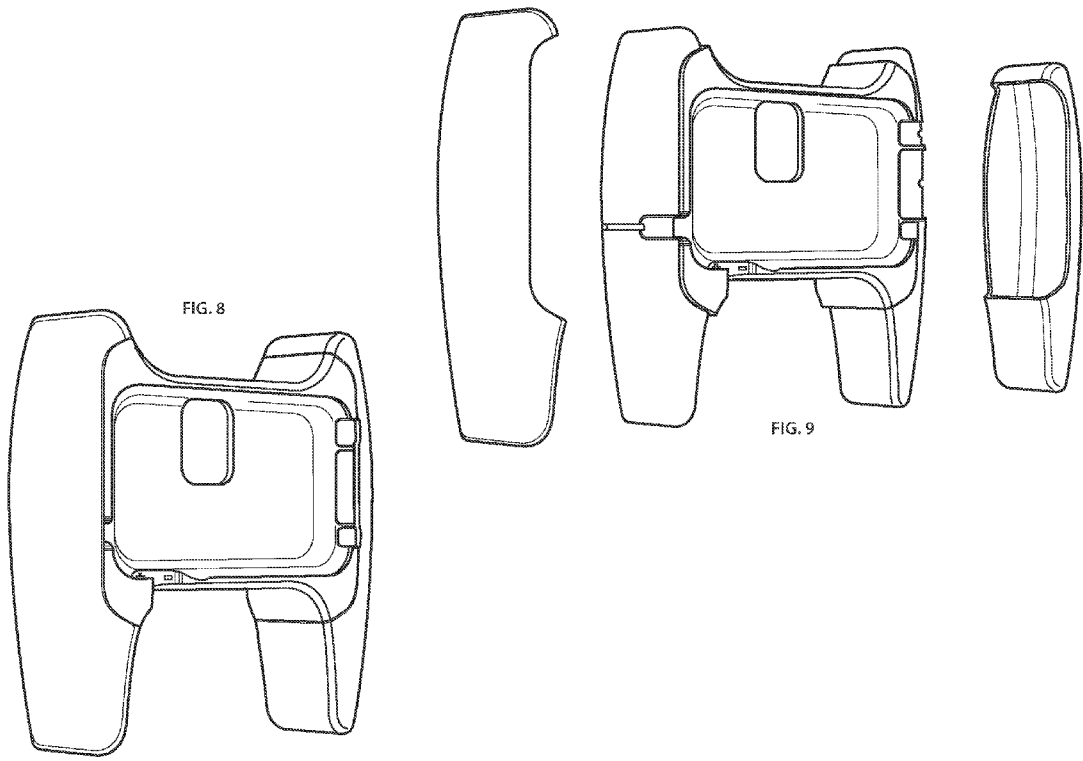


FIG. 10

