



US00D749589S

(12) **United States Design Patent**
Ferguson et al.

(10) **Patent No.:** **US D749,589 S**

(45) **Date of Patent:** **** Feb. 16, 2016**

(54) **BLUETOOTH LOW ENERGY BEACON**

(56) **References Cited**

(71) Applicant: **EBAY INC.**, San Jose, CA (US)

U.S. PATENT DOCUMENTS

(72) Inventors: **Hill Ferguson**, San Jose, CA (US); **John H. Granbery**, Los Altos, CA (US); **Satish Govindarajan**, Los Altos, CA (US); **Kent C. Griffin**, Mountain View, CA (US); **Yves Behar**, San Francisco, CA (US); **Arthur Kenzo Debaiguo**, San Jose, CA (US)

6,435,409	B1	8/2002	Hu	
D521,509	S *	5/2006	Chen	D14/480.5
D522,518	S	6/2006	Loftus	
D542,788	S *	5/2007	Gutmann	D14/480.5
7,361,032	B2	4/2008	Loftus	
D579,933	S *	11/2008	Deguchi	D14/480.1
D607,462	S *	1/2010	Chen	D14/480.5
D618,226	S *	6/2010	Tong	D13/133

(Continued)

(73) Assignee: **PAYPAL, INC.**, San Jose, CA (US)

OTHER PUBLICATIONS

(**) Term: **14 Years**

“Memorex M-Flyer TravelDrive”, MFLYERTD 512MB, eMemorex.com, 1page, [online], [retrieved on Jan. 30, 2007]. Retrieved from the Internet: <http://www.ememorex.com/product_detail.asp?T1=MEM+MFLYERTD+512MB>.

(21) Appl. No.: **29/516,367**

(Continued)

(22) Filed: **Jan. 30, 2015**

Related U.S. Application Data

(63) Continuation of application No. 29/466,537, filed on Sep. 9, 2013, now Pat. No. Des. 723,566.

(51) **LOC (10) Cl.** **14-02**

(52) **U.S. Cl.** **D14/435.1**

(58) **Field of Classification Search**

USPC D14/356, 358, 432, 137, 138, 140, 188, D14/217, 240, 242, 299, 191, 411, 433, D14/435.1, 436, 480.1–480.7, 484.1, 155, D14/203.1–203.8; D13/110, 184, 133, 154, D13/162, 103, 199; D10/65, 75, 78; D9/432; D3/273; 341/22
CPC H01R 35/02; A63H 5/00; A63H 13/02; A63H 29/22; A63H 33/00; B25J 5/00; B25J 19/00; G05B 15/00; G05B 15/02; G06F 1/1626; G09B 5/06; G09B 19/00; G01S 15/93; H04L 67/306; H04R 1/04

See application file for complete search history.

Primary Examiner — Karen E Kearney

Assistant Examiner — Nathaniel D Buckner

(74) *Attorney, Agent, or Firm* — Haynes and Boone, LLP

(57) **CLAIM**

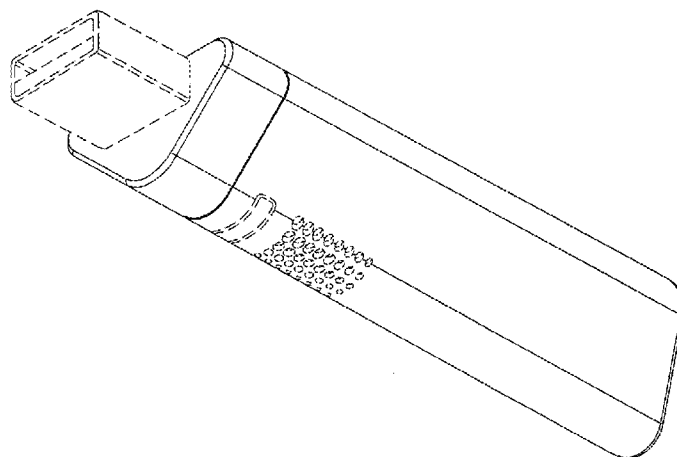
The ornamental design for a bluetooth low energy beacon, as shown and described.

DESCRIPTION

FIG. 1 is a perspective top view of a bluetooth low energy beacon showing our new design; FIG. 2 is perspective bottom view thereof; FIG. 3 is a top view thereof; FIG. 4 is a front end view thereof; FIG. 5 is a back end view thereof; FIG. 6 is a bottom view thereof; FIG. 7 is a side view thereof; and, FIG. 8 is another side view thereof.

In the drawings, the broken lines depict environmental subject matter only and form no part of the claimed design.

1 Claim, 4 Drawing Sheets



(56)

References Cited

U.S. PATENT DOCUMENTS

D621,843 S 8/2010 Salzedo
D624,012 S 9/2010 De Medeiros et al.
D624,920 S 10/2010 Sheppard et al.
D647,101 S * 10/2011 Huang D14/480.7
D648,730 S 11/2011 Huang
D660,858 S * 5/2012 Schlosstein D14/480.7
D673,164 S * 12/2012 Lin D14/480.5
D688,247 S * 8/2013 Girotti D14/240

D723,566 S * 3/2015 Ferguson D14/435.1
D736,149 S * 8/2015 Liu D13/108
2005/0247796 A1 11/2005 Chen

OTHER PUBLICATIONS

“Walle Pure, Smart White that Dazzles”, PQI group, 2 pages, [online], [retrieved on Jan. 6, 2014]. Retrieved from the Internet: <http://www.pgigroup.com/prod_in.aspx?mniud=1286&modid=138&prodid=571>.

* cited by examiner

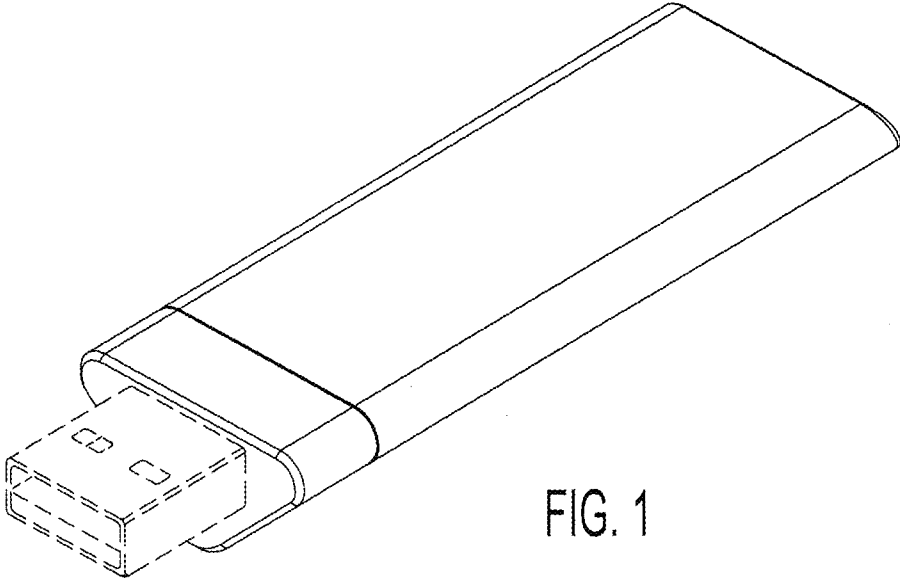


FIG. 1

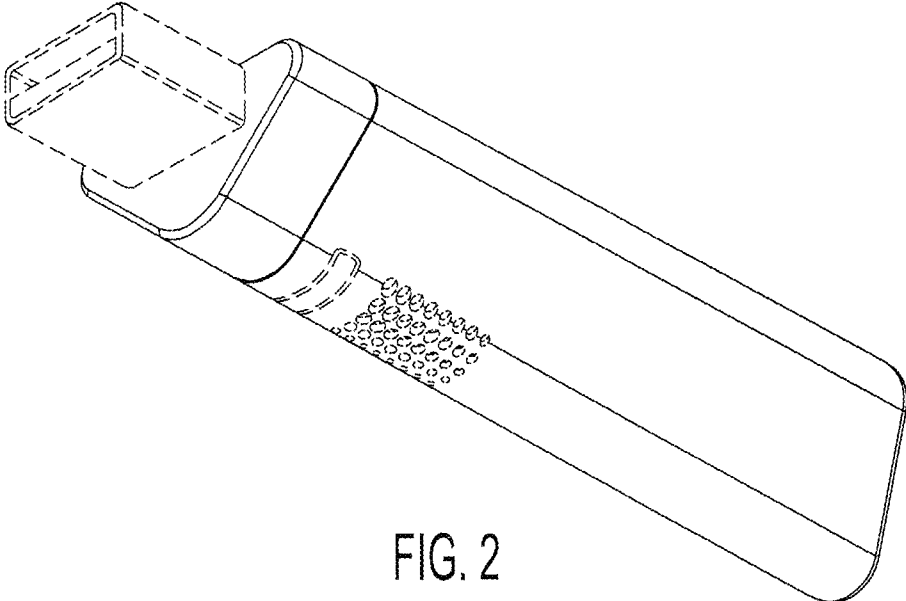


FIG. 2

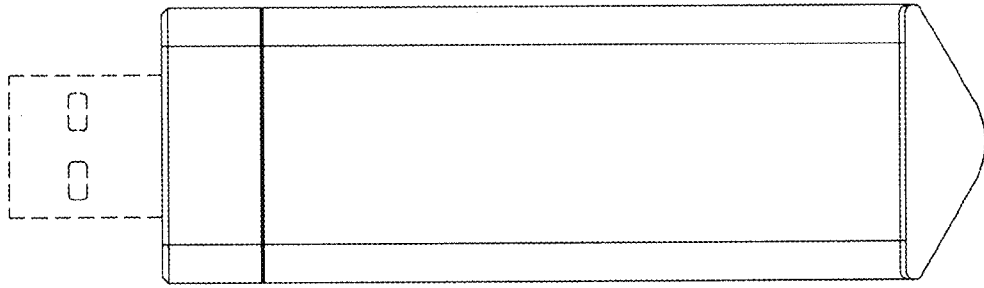


FIG. 3

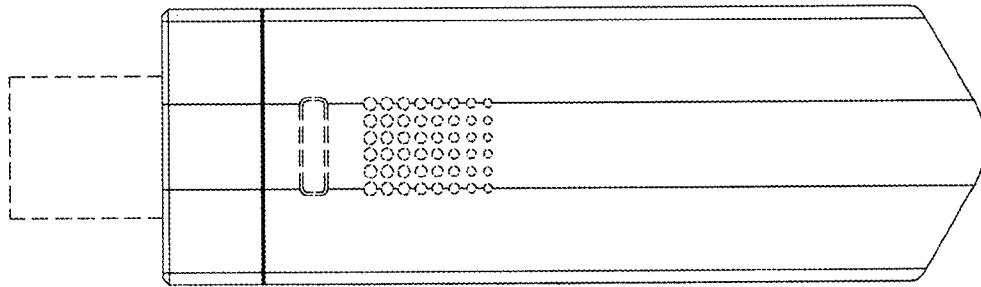


FIG. 6

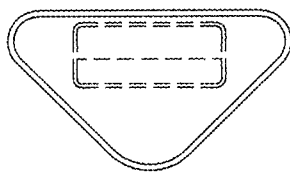


FIG. 5

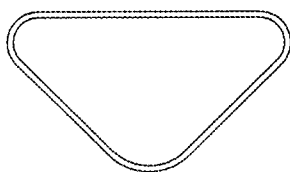


FIG. 4

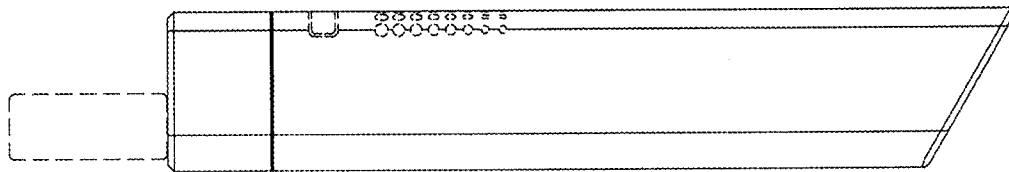


FIG. 8

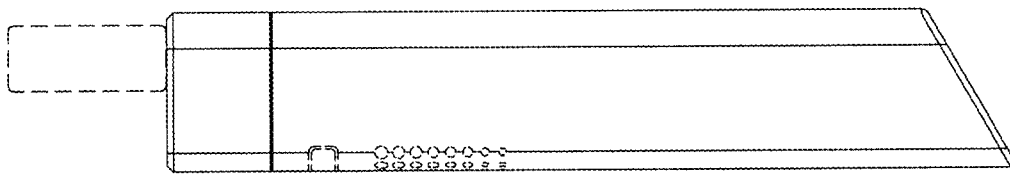


FIG. 7